

Description

2 WIRE wall-mounted pushbutton panel with zamak front cover. Can be configured for one-family or two-family installations. Can release an electrical door lock directly connected between S+ and S- clamps (18 V 4 A impulsive, 250 mA holding current, 30 Ohm max). Nameplate lit by white LED.

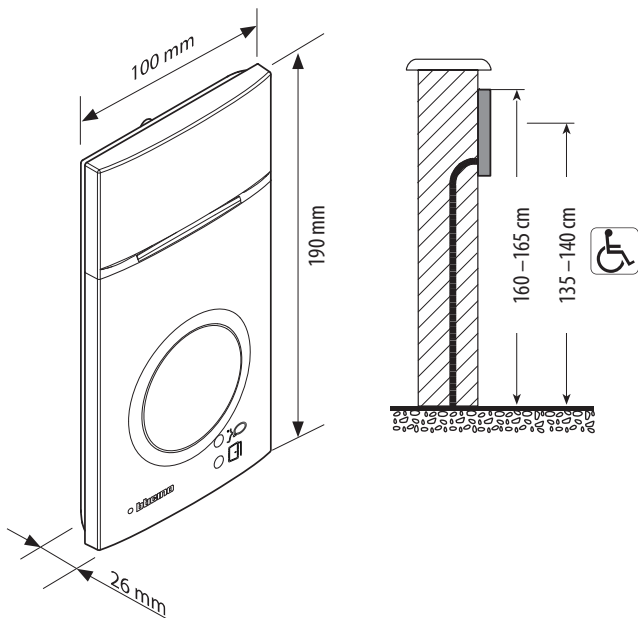
Correlated devices

- BT-343051 Rainshield
- BT-343061 Flush mounted accessory
- BT-350020 2-module flush mounted box

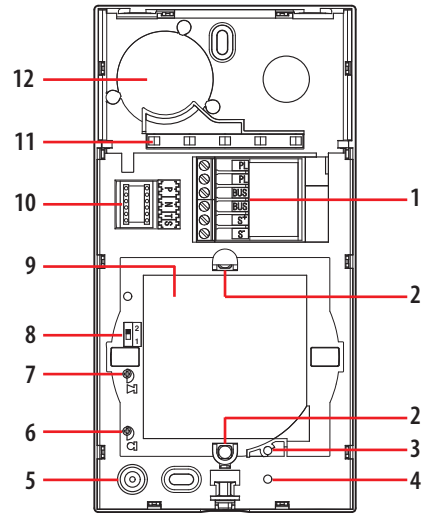
Technical data

Power supply from SCS BUS:	18 - 27 Vdc
Stand by absorption (with backlighting LEDs off):	15 mA
Stand by absorption (with backlighting LEDs on):	25 mA
Max. operating absorption:	70 mA
Operating temperature:	(-25) – (+70) °C
Protection index:	IP 54
Protection index against mechanical impact:	IK 10

Dimensional data



Front view without panel



Legend

1. BUS connection clamps, door lock and local door release pushbutton
2. Call pushbuttons
3. Active connection notification LED
4. Open door notification LED
5. Microphone
6. Microphone volume adjustment
7. Loudspeaker volume adjustment
8. Switch
 1=one-family
 2=two-family
9. LED panel for call pushbutton lighting
10. Configurator socket
11. Brightness sensor for automatic activation of the night lighting
12. Loudspeaker

Configuration

The device must be (only physically) configured as follows:

P - entrance panel number

The configurator connected to the P housings of the speaker module assigns to the same an identification number within the system.

The numbering of the entrance panels must always start from P=0.

The entrance panel configured with P=0 must be a common (or main) entrance panel.

N - call number

Assigns the correspondence between the entrance panel pushbuttons and the audio handsets or video handsets. In the common entrance panels made with pushbutton modules, 1 must be inserted in N of the speaker module. The number of the first riser handset must be inserted in the local entrance panels in N.

T - door lock relay timing

configurator number							
0= No configurator	1	2	3	4*	5	6	7
4 sec.	1 sec.	2 sec.	3 sec.	pushbutt	6 sec.	8 sec.	10 sec.

* **Operation as pushbutton for 10 sec. max**, after which standby mode is activated. To extend operation time over 10 seconds, use actuator 346210 configured with MOD=5.

S – type of call signal

S configuration sets the internal unit call tone and the enabling/disabling of the door lock release notification tone generated by the entrance panel.

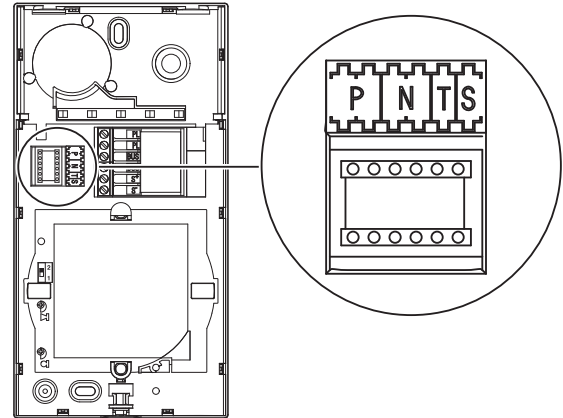
One can thus differentiate the calls from different entrance panels.

Table (with door lock tone enabled) for Sprint L2 internal unit call signal

Configurator	0	1	2	3
Type of bell	2-tone	2-tone	2-tone	One-tone
	1200Hz	1200Hz	1200Hz	1200Hz
	600Hz	0 Hz	2400Hz	

Table (with door lock tone disabled) for Sprint L2 internal unit call signal

Configurator	4	5	6	7
Type of bell	2-tone	2-tone	2-tone	One-tone
	1200Hz	1200Hz	1200Hz	1200Hz
	600Hz	0 Hz	2400Hz	



For the Classe 100 and Classe 300 internal units, the S configurator associates the entrance panel to the bell programmed in the internal unit.

Configurator	0	1	2	3	Door lock tone enabled
Configurator	4	5	6	7	Door lock tone disabled

In one-family systems S= 9 (door lock tone enabled) or S= 8 (door lock tone disabled) configure the General Call and make the internal unit ring, as with S= 0 or S= 4