

Datasheet

SIKA LED Twin Floodlight with Sensor

CAT. NO. LSS0125WBL



A brand of **legrand**



Cat. No.	LSS0125WBL
Description	SIKA LED Twin Floodlight with Sensor
Body Construction	Die cast aluminium
Nominal Input Voltage	230-240 V a.c. 50 Hz
Colour	Black
Power Output	25 W
Lumens Output	2200 lm
Sensor Detection Method	Passive infrared (PIR)
Detection Range	From 1 m up to 12 m
Manual Override	Yes
Detection Angle	12 m (max), 180° scan
Time-delay Adjustment	(10±5) sec to (4±1) min
Lamp Awivelling Angle	Vertical 180°
Sensor Horizontal Swivelling Angle	180°
Sensor Vertical Swivelling Angle	130°
Lifespan	15,000hrs*
Light Colour	Cool White 4,000K Nominal
CRI	80+
Operating Temperature	-10°C to 50°C
Lamp Swivelling Angle	130° Vertical, 180° Horizontal
Recommended Mounting Height	>2m wall mount only
Protection Class	Class 1
IP Rating	IP44
Weight	1.1kg
Dimension	170 x 240 x 180 mm
Warranty	5 years

SIKA LED Twin Floodlight with Sensor

CAT. NO. LSS0125WBL



A brand of **legrand**



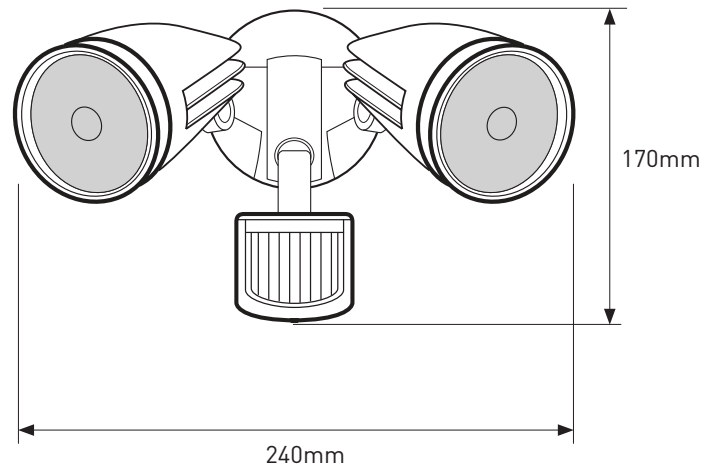
Single product			
Cat. No.	Dimensions	Weight	Barcode
LSS0125WBL	180 x 155 x 200 mm	1.2Kg	9321001441304

Outer box (Qty 6)			
Cat. No.	Dimensions	Weight	Barcode
LSS0125WBL	485 x 380 x 220 mm	7.2Kg	9321001441465

FEATURES

- 25W ideal for medium to large areas such as driveways, secluded walkways, front and porches.
- Die cast aluminium construction.
- PIR sensor with:
 - Adjustable detection range from 1 to 12 m using sensitivity knob.
 - Adjustable time delay from 10 sec to 4 min.
 - Adjustable lux activation from 20 lux to daylight.
 - Sensor can be automatic or manual override.
 - Up to 180° detection angle.
- 15,000 hours lifespan
- 180° vertical adjustable LED light
- 130° vertical and 180° horizontal adjustable sensor
- IP44 weatherproof rating
- 5 Year Warranty

DIMENSIONS



Legrand - Australia
1300 369 777
www.hpm.com.au
ABN 31 000 102 661

Legrand - New Zealand
0800 476 009
www.hpm.co.nz

Refer to your group buying office, Legrand Sales Representative or Legrand Sales Office for pricing.

Please note: specifications are subject to change without prior notice.



HPML0717B

08/2021