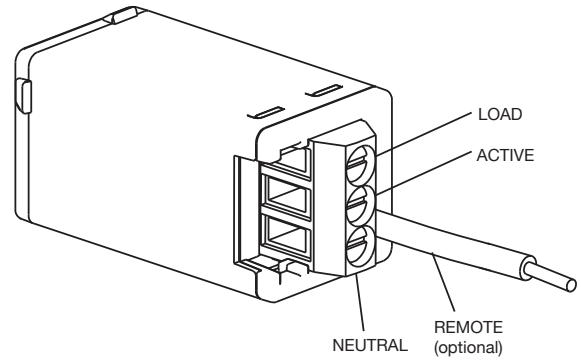
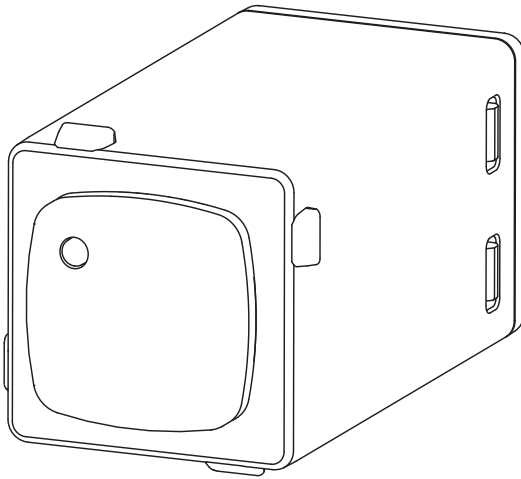




Electronic Push Button Switch

Cat. 883M

Instruction Sheet



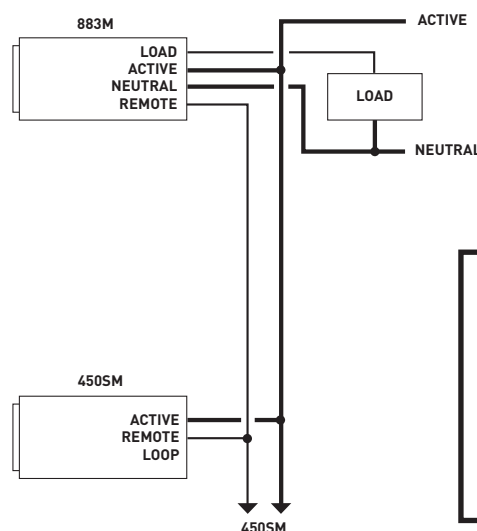
1 Technical characteristics

+ 50°C + 0°C 230 - 240V a.c. 50Hz	 1 x 2.5 mm ² 2 x 1.5 mm ²	Incandescent	Halogen	Fluorescent tube	Wirewound transformer	Electronic transformer	Compact Fluorescent	LED	Fan motor
Max load		1200W	1200W	500VA	500VA	500VA	500VA	500VA	500VA

Minimum load = 10VA for all load types

2 Wiring

Connect optional Secondary Control Buttons (450SM) to enable switching from multiple locations.



Important:

- An unlimited number of 450SM can be connected to an 883M. However, the total length of the remote wire used to interconnect all of the 450SM should not exceed 50 metres.
- Power factor correction capacitors must be either removed or placed on the line side of the Electronic Push Switch.

3 Operation

- Press the button to turn the electronic switch on.
The LED indicator will shine bright when the switch is on.
- Press the button again to turn the electronic switch off.

4 LED Indicator

The colour of the LED indicator can be either red or blue. In addition, when the switch is off the LED indicator can either glow faintly or be off completely. The four possible modes are as follows:

Mode	Status of LED indicator	
	Switch on	Switch off
1	Bright red	Faint red
2	Bright blue	Faint blue
3	Bright red	Off
4	Bright blue	Off

To change between modes, press and hold the push button for at least 10 seconds. This will select the next mode in the sequence above.

5 Important

- The remote wire only needs to be connected if the multi-way switching feature is used. Remove the protective cover from the wire, strip it to an appropriate length and join it to mains rated building wire using a Cat 401 or other suitable screw connector. Do not remove the protective cover from the wire if the multi-way switching feature will not be used.
- Switches, powerpoints and other fixed wired products must be installed by an electrical contractor or similarly qualified person.
- Do not megger this product.

Warranty

HPM Legrand will honour all statutory guarantees that you as a consumer are entitled to rely upon under the Australian and New Zealand Consumer Law against a manufacturer including a guarantee that any products HPM Legrand has manufactured or imported are of acceptable quality.

To make a claim under any statutory guarantee (or other warranty) you should first contact the supplier, contractor or retailer from whom you purchased the products.

Customer Service

For all Customer Service and Technical Support please call Monday to Friday during business hours.

HPM Legrand Australia
1300 369 777
www.hpm.com.au

HPM Legrand New Zealand
0800 476 009
www.hpm.co.nz

ABN: 31 000 102 661

A Group brand | 