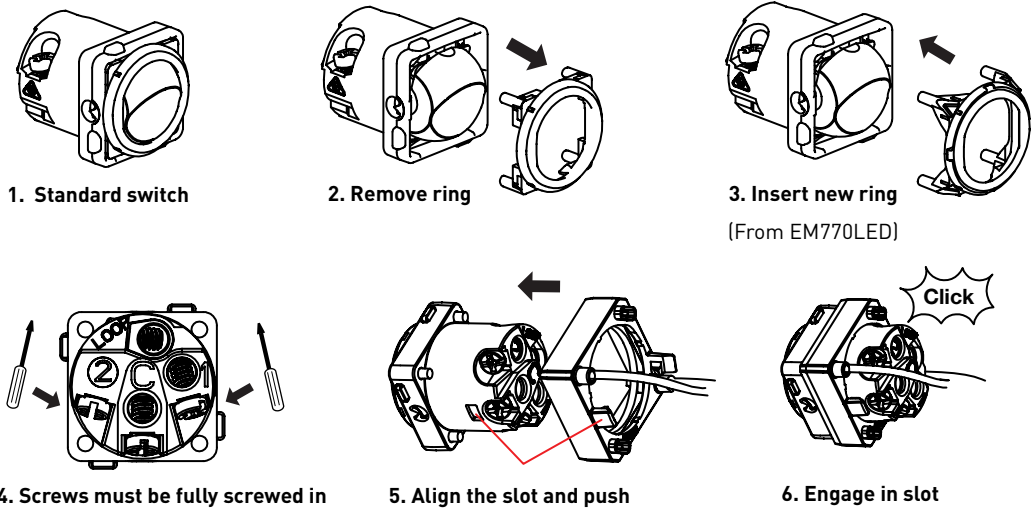


Operation

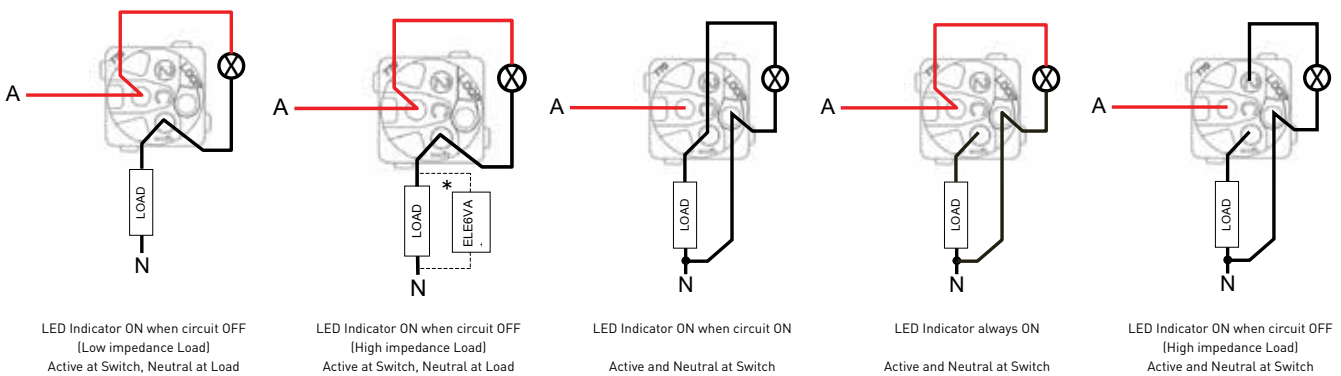
- This part may be fitted with EM770 or EM770IM series for illuminating switches
- Up to 6 mechs can be used on a switch plate
- Voltage: 230-240V a.c.
- Light source: LED
- Power: 0.25W

Installation



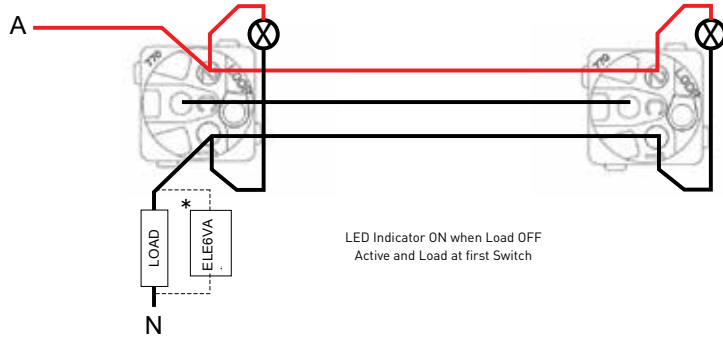
Wiring

One way switching wiring

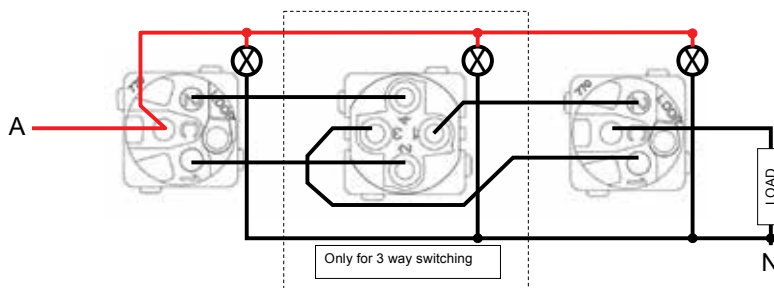
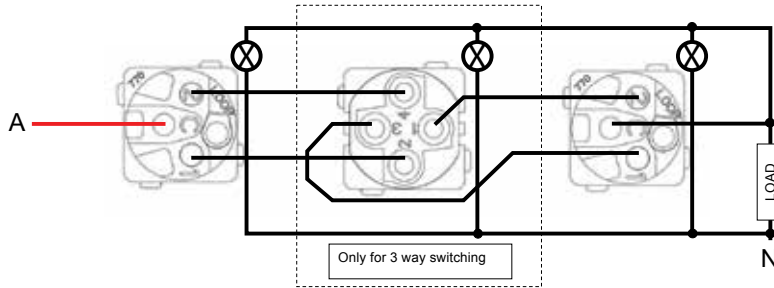
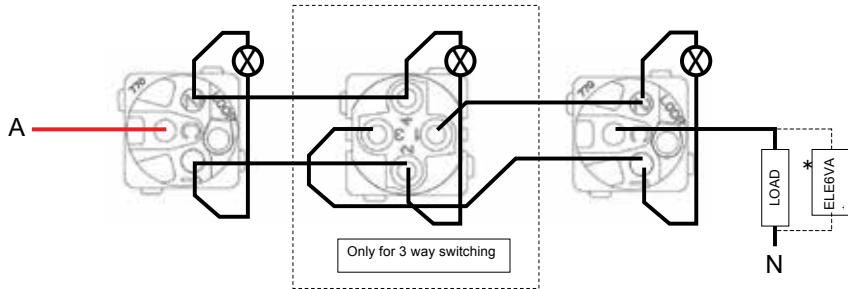


Note: Low Impedance Load examples include incandescent, halogen, resistive loads
 High Impedance Load examples include Compact Fluorescent Lamps, LED globes
 *May be required for High Impedance Loads

Two way switching wiring



Two and Three way switching wiring



*May be required for High Impedance Loads

Warranty

Legrand will honour all statutory guarantees that you as a consumer are entitled to rely upon under the Australian and New Zealand Consumer Laws against a manufacturer including a guarantee that this product is of acceptable quality.

To make a claim under any statutory guarantee you should first contact the supplier, or retailer from whom you purchased this product.

Customer Service

For all Customer Service and Technical Support please call Monday to Friday during business hours.

Legrand Australia
1300 369 777
www.legrand.com.au

Legrand New Zealand
0800 476 009
www.legrand.co.nz

ABN: 31 000 102 661