

Specifications (at 25°C)

Voltage: 230-240V a.c.

Frequency: 50Hz

Max load at: 2000VA (i.e. 2000W incandescent, 2000VA fan motor, 1600W dichroic with wire wound transformer)

Min load: 75VA (0.3A)

Approval no: CS7298N

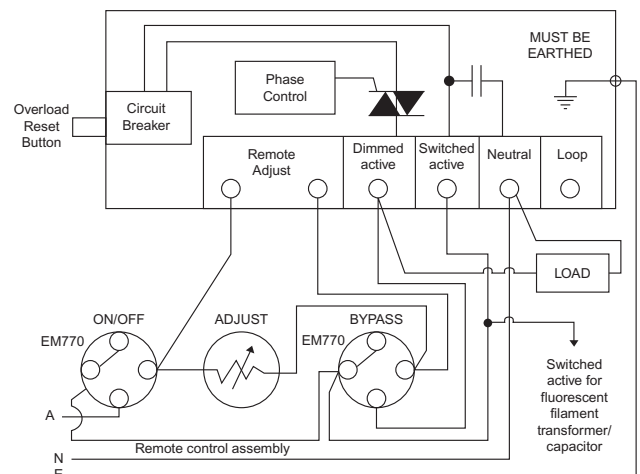
Features

The EM2000ERC dimmer is designed for applications where reliability and performance are important. It allows remote mounting of the main control unit, while having only controls on the switch plate. These units, which comply with the highest standards of quality and workmanship, also feature:

- A conservatively-rated 'Triac' solid state switch, mounted on a large heat sink to ensure reliable operation
- A resettable circuit breaker to provide over-current protection
- A minimum preset adjustment control to enable minimum light levels to be preset
- Effective filtering to minimise radio frequency interference

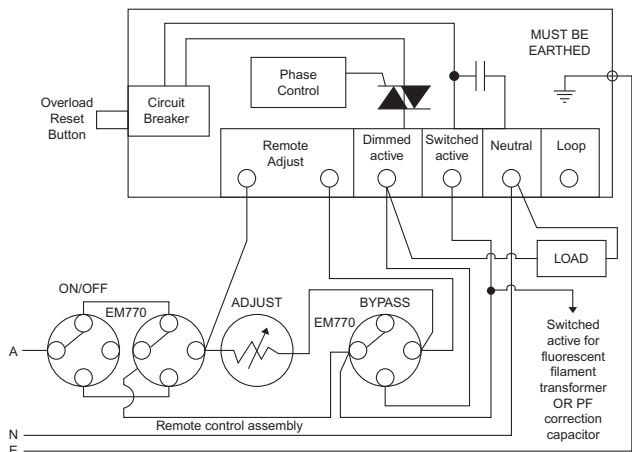
Installation

The dimmer unit is in a surface mounting enclosure complete with terminal cover. (Size: 100mm W; 45mm H; 190mm L, with ø4mm mounting holes.) For typical installation examples see Fig 1 to Fig 3.

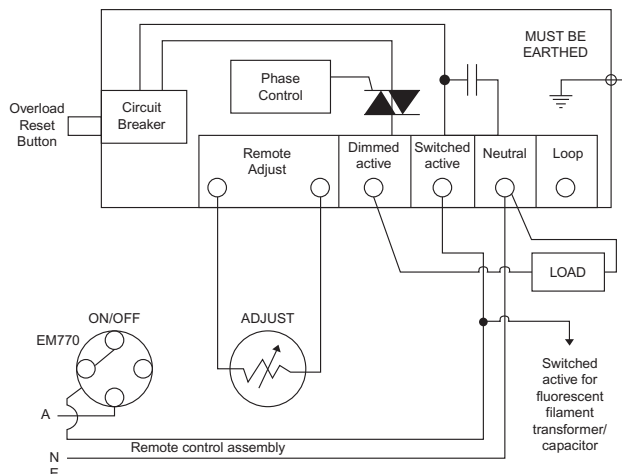


Note: EM770 not supplied

Fig 1. One-way wiring diagram with bypass



Note: EM770 not supplied
Fig 2. Two-way wiring diagram with bypass

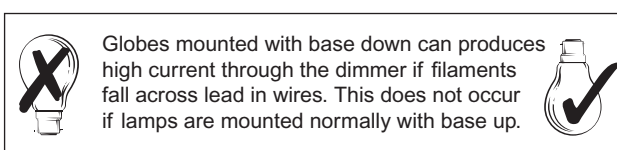


Note: EM770 not supplied
Fig 3. Fluorescent: filament driver circuit

Operation

The light level is controlled by the knob. Clockwise rotation increases brightness. The minimum preset is accessible through a small hole on the side of the dimmer unit. This is useful when controlling fluorescent lighting levels to prevent flicker. It is adjusted using a screwdriver, when the remote mounted control is set to minimum brightness.

The circuit breaker on the left hand side can be reset by pushing in the centre button. Before resetting, the cause of the overload should be found.



Globes mounted with base down can produce high current through the dimmer if filaments fall across lead in wires. This does not occur if lamps are mounted normally with base up.

Dimmer units must not be mounted under insulation, and dimmer units mounted in enclosures must be either derated or adequately ventilated. Units must be derated when above their rated temperature up to their limit of 75°C max. Derate 2% for every 1°C above 25°C.

Account must also be taken of adjacent heat producing sources such as other dimmers etc.

This Legrand dimmer has filters for radio frequency interference suppression, but care must still be taken to ensure that wiring between the dimmer and load is distanced from electronic equipment and aerial inputs.

Warning

Power outlets and other fixed-wire devices must be installed by an electrical contractor or similarly qualified person.

Warranty

HPM Legrand will honour all statutory guarantees that you as a consumer are entitled to rely upon under the Australian Consumer Law against a manufacturer including a guarantee that (any products HPM Legrand has manufactured or imported/the products which are described in this Instruction Manual) EM2000ERC products are of acceptable quality.

To make a claim under any statutory guarantee (or other warranty) you should first contact the supplier, contractor or retailer from whom you purchased the products.

Customer Service

For all Customer Service and Technical Support please call Monday to Friday during business hours.

HPM Legrand Australia
1300 369 777
www.hpmlgrand.com.au

HPM Legrand New Zealand
0800 476 009
www.hpmlgrand.co.nz

ABN: 31 000 102 661