

Datasheet

Excel Life™

Dedicated Plate - Double Powerpoint, 10A

CAT. NO. ED787WE, ED787UG, ED787BL, ED787MW, ED787MB



Cat. No.	ED787WE	ED787MW	ED787UG	ED787BL	ED787MB
Colour	White (WE)	Matt White (MW)	Urban Grey (UG)	Black (BL)	Matt Black (MB)
Description	Excel Life Dedicated Plate - Single Powerpoint, 10A				
Supply voltage	230 - 240 V a.c. 50 Hz				
Current rating	10 A				
Dimensions (W x H x D)	121 x 77 x 10 mm				
Mounting centres	84 mm				
Compliance	AS/NZS 3112				

Excel Life™

Dedicated Plate - Double Powerpoint, 10A

CAT. NO. ED787WE, ED787UG, ED787BL, ED787MW, ED787MB



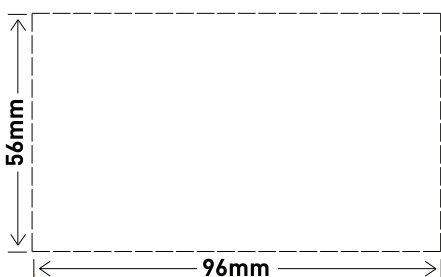
Single product	
Cat. No.	Barcode
ED787WE	9321001396611
ED787UG	9321001411284
ED787BL	9321001452041
ED787MW	9321001498230
ED787MB	9321001498438

Inner box (QTY 10)		
Cat. No.	Barcode	Dimensions (W x H x D)
ED787WE	9321001396628	160 x 160 x 120mm
ED787UG	9321001411949	
ED787BL	9321001452768	
ED787MW	9321001498650	
ED787MB	9321001498858	

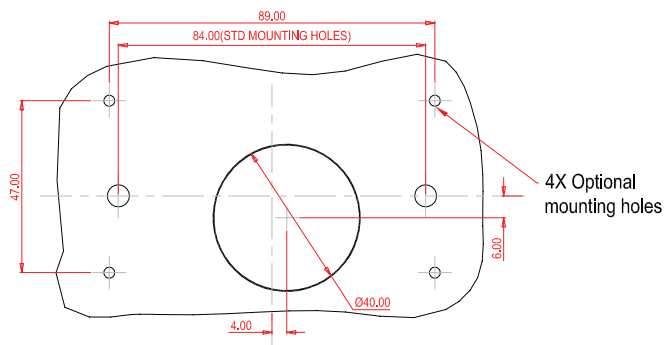
Outer box (QTY 120)		
Cat. No.	Barcode	Dimensions (W x H x D)
ED787WE	9321001396635	499 x 333 x 266mm
ED787UG	9321001412601	
ED787BL	9321001453468	
ED787MW	9321001499077	
ED787MB	9321001499275	

- Small footprint (fits into Ø40mm cut-out)
- Internal safety shutters for extra safety.
- Captive terminal screws.
- Carburised steel and deep head screws.
- Angled terminal screws for ease of use with power tools.
- Funnel shape cable terminals.
- Raised insulated barriers on terminals.
- Elongated oblong mounting holes for better levelling.

Glass and tile cut-out dimensions:



Timber cut-out dimensions:



HPM Legrand - AUS
1300 369 777
www.legrand.com.au
ABN 31 000 102 661

HPM Legrand - NZ
0800 476 009
www.legrand.co.nz

Refer to your group buying office, HPM Legrand Sales Representative or HPM Legrand Sales Office for pricing.

HPML0592_B

11/2020