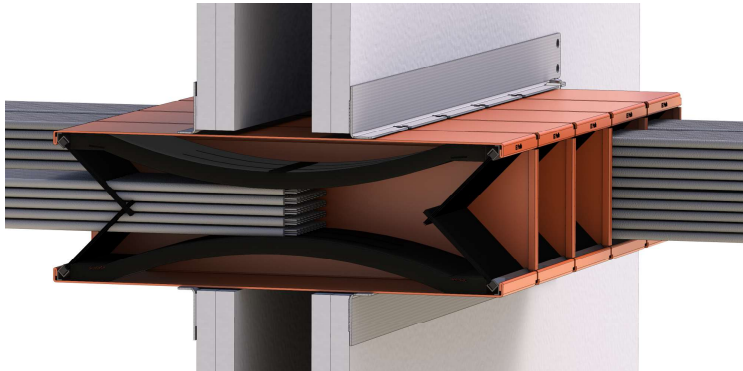


## Certified mechanical firestop system for electric cables

Reference(s) : 250018-250058-250078-250120-250130-  
250140-250170-250178-250206-250220-250230-250240-  
250250-250260-250306-250370-350700-350701-350702-  
350703-350704-350705




CONTENTS	PAGE
1. Use	1
2. Range	1
3. Technical characteristics RFG2	2
4. Technical characteristics SERIES 33	3 à 6
5. Technical characteristics SERIES 44+	7 à 20
6. General characteristics	21
6.1 Definitions	
6.2 Certification	
6.2 Rate and leakage area	
6.4 Acoustic performance	
6.5 Cabling capacity	
6.6 Other	

### 1. USAGE

EZ-Path is a mechanical device that provides fully compliant fire stopping for power and data cable management pathways

### 2. GAMME



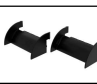


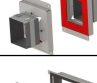
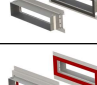
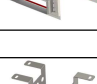




#### ■ 2.1 EZ-Firestop® RFG2

	Reference	DESCRIPTION
	350 705	RFG2 EZ-Firestop® Grommet

#### ■ 2.2 EZ-Path® SERIES 33 (Device + accessories + plates)

	Reference	DESCRIPTION	
<b>Module</b>			
	250 018	EZD33T2 Firestop device Series 33	
<b>Extension</b>			
	250 078	EZD33E Extension for device EZD33T2	
<b>Accessory</b>			
	250 206	RCM33 2 radius control modules for EZD33T2	
<b>Plate for wall mounting</b>			
	Reference	DESCRIPTION	Installation
	250 240	EZP133CWT 2 mounting plates for 1x EZD33T2	New
	250 120	EZP233WT 2 mounting plates for 2x EZD33T2	New
	250 130	EZP333WT 2 mounting plates for 3x EZD33T2	New
	250 140	EZP433WT 2 mounting plates for 4x EZD33T2	New
	250 170	EZP733WT 2 mounting plates for 7x EZD33T2	New
<b>Plate for floor mounting</b>			
	250 220	EZP133KT 1 mounting plate for 1x EZD33T2	New

#### ■ 2.3 EZ-Path® SERIES 44+ (Device + accessories + plates)

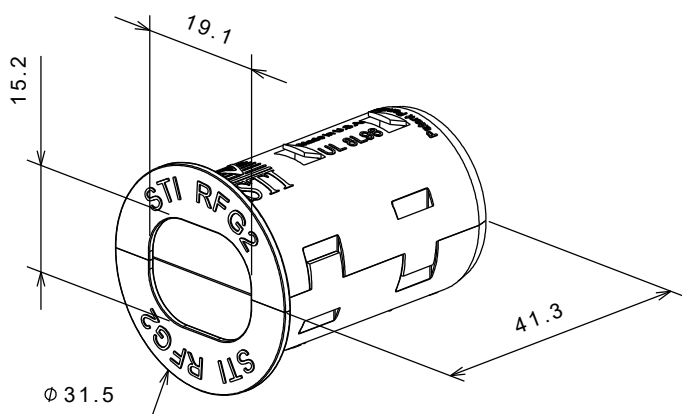
	Reference	DESCRIPTION	
<b>Module</b>			
	250 058	EZD44T2 Firestop device Series 44+	
<b>Extension</b>			
	250 178	EZD44ES Extension for device EZD44T2	
<b>Accessory</b>			
	250 306	EZRCM44S 2 radius control modules for EZD33T2	
<b>Plate for wall mounting</b>			
	Reference	DESCRIPTION	Installation
	350 700	EZP144WE 2 mounting plates for 1x EZD44T2	New
	350 701	EZP144RSE 2 mounting plates for 1x EZD44T2	New / renovation
	250 230	EZP144WT 2 mounting plates for 1x EZD44T2	New
	350 702	EZP544WE 2 mounting plates for 1-5x EZD44T2	New / renovation
	250 250	EZP544WT 2 mounting plates for 1-5x EZD44T2	New / renovation
<b>Plate for floor mounting</b>			
	350 703	EZP144MBE 2 mounting plates for 1x EZD44T2	New / renovation
	350 704	EZP544MBE 2 mounting plates for 2-5x EZD44T2	New / renovation
	250 260	EZG144T 1 mounting plate for 1x EZD44T2	New / renovation
	250 370	EZG444T 1 mounting plate for 4x EZD44T2	New

**3. TECHNICAL CHARACTERISTICS : EZ-Firestop® RFG2**

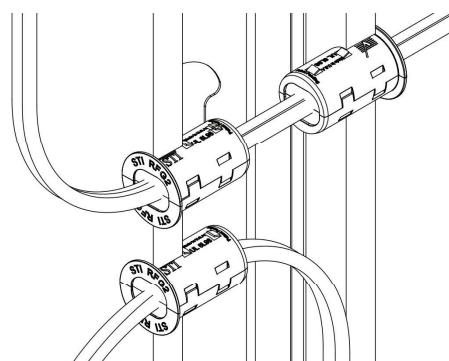
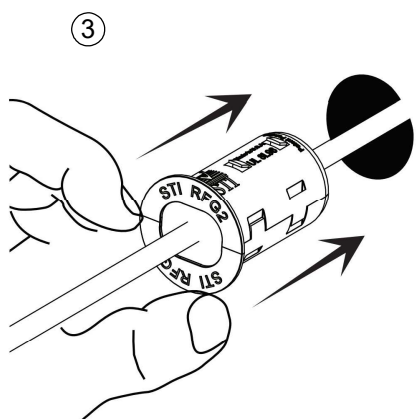
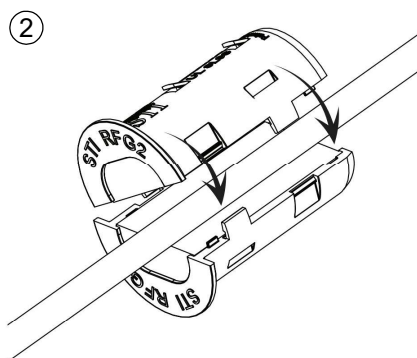
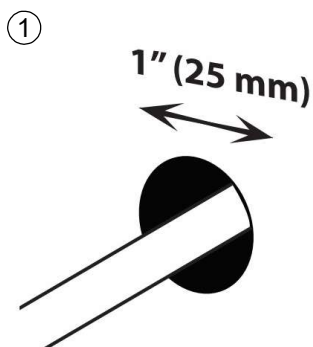
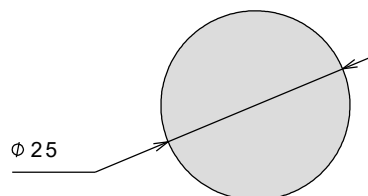
Dimensions in mm

Wall grommet for individual cable and fire resistant

Réf: 350 705



Recommended drilling dimension



Name	RFG-2
MAX cable Ø	Ø 14 mm
MAX number of cables	2 x (Ø 7 mm)
Drilling dimension	Ø 25
Performance	EI120
Wall type	Flexible walls ou Rigid walls ≥100mm

See page 21 for more details

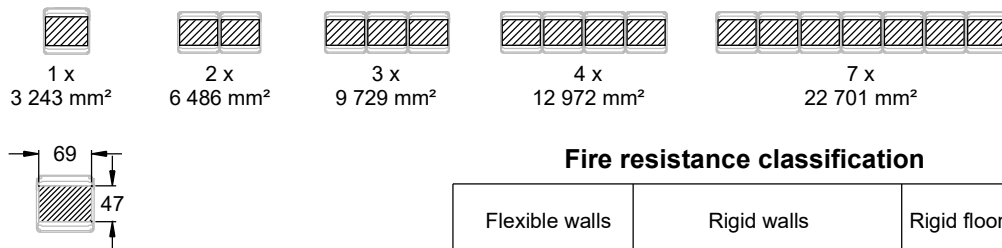
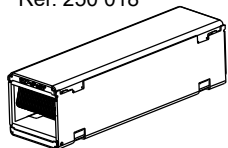
#### 4. TECHNICAL CHARACTERISTICS : EZ-Path® SERIES 33

Dimensions in mm

##### 4.1 Overview of the systems : EZ-Path® SERIES 33

Filling area (for cable capacity, please refer to chapter 6.5 p21)

Réf: 250 018



#### Fire resistance classification

EZ-Path system	detail page	References	In renovation	Ø cable (mm)	Fire resistance classification					
					Flexible walls		Rigid walls			Rigid floors
					≥100mm	≥122mm	≥100mm	≥122mm	≥150mm	≥150mm
1-2x EZD33T2 + mortar	p4	1-2x 250 018	yes	≤ Ø 21	-	-	-	-	EI 90	-
1x EZD33T2 + EZP133CWT	p5	1x 250 018 + 250 240	no	≤ Ø 21 ≤ Ø 50	EI 60	EI 120	EI 60	EI 120	EI 120	-
2x EZD33T2 + EZP233WT	p5	2x 250 018 + 250 120	no							
3x EZD33T2 + EZP333WT	p5	3x 250 018 + 250 130	no	≤ Ø 21	-	EI 120	-	EI 120	EI 120	-
4x EZD33T2 + EZP433WT	p5	4x 250 018 + 250 140	no	≤ Ø 50	-	-	-	-	EI 60	
7x EZD33T2 + EZP733WT	p5	7x 250 018 + 250 170	no							
1x EZD33T2 + EZP133KT	p6	1x 250 018 + 250 220	no	≤ Ø 21	-	-	-	-	-	EI 120

EI : Fire resistance / E : Flame resistance / I : Thermal insulation  
For more information on flame resistance performance (E), please refer to ETA 20/1347

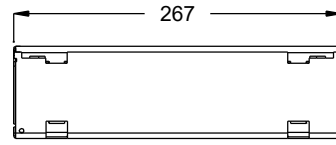
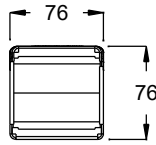
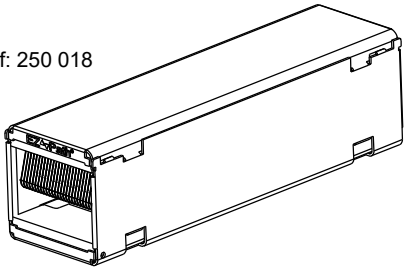
See page 21 for more details

**4. TECHNICAL CHARACTERISTICS : EZ-Path® SERIES 33 (cont.)**

Dimensions in mm

**4.1 FIRESTOP DEVICE : EZD33T2**

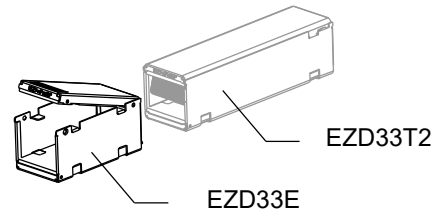
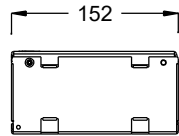
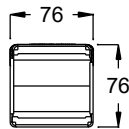
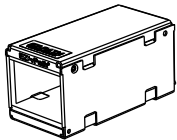
Réf: 250 018



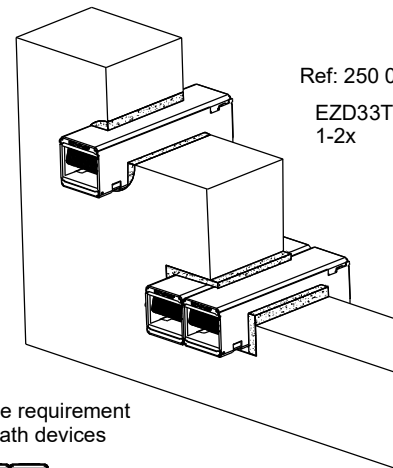
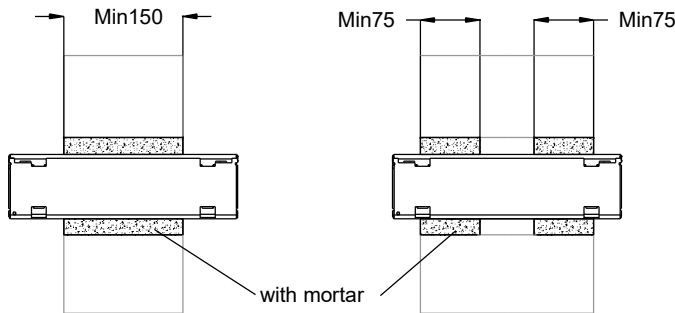
<p>Possibility of grounding</p>	<p>3 243 mm<sup>2</sup> Cable loading</p>	<p>Approved for all cable types, filling empty up to 100%</p>	<p>can be use for existing cables</p>
---------------------------------	---	---	---

**4.2 EXTENSION for thick wall : EZD33E**

Réf: 250 078



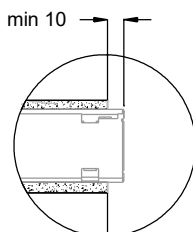
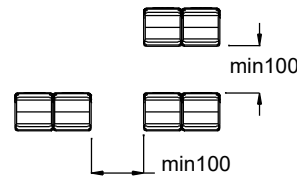
**4.3 Firestop device wall mouting with mortar**



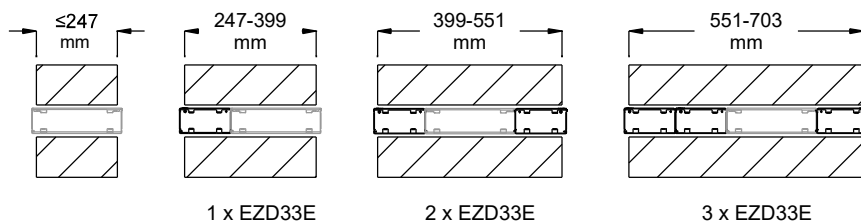
Recommended drilling dimension

	1 x EZD33T2	2 x EZD33T2
	Ø102mm	
	X = 85 mm Y = 85 mm	X = 165 mm Y = 85 mm
	+/- 5mm	+/- 5mm

Minimum distance requirement  
between EZ-Path devices



Wall thickness in mm. Device alone or with EZD33E extension for thick barrier.

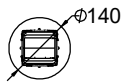
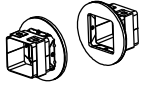


4. TECHNICAL CHARACTERISTICS : EZ-Path® SERIES 33 (cont.)

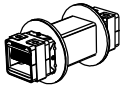
Dimensions in mm

4.4 PLATE for wall mounting : EZP133CWT - EZP233WT - EZP333WT - EZP433WT - EZP733WT

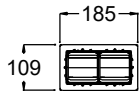
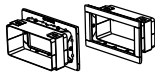
Réf: 250 240  
EZP133CWT



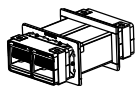
1 x EZD33T2 +  
EZP133CWT



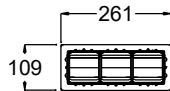
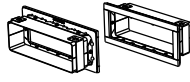
Réf: 250 120  
EZP233WT



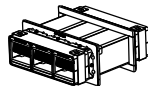
2 x EZD33T2 +  
EZP233WT



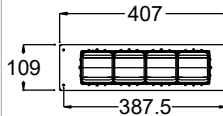
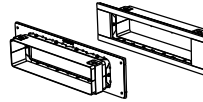
Réf: 250 130  
EZP333WT



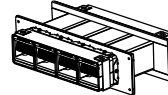
3 x EZD33T2 +  
EZP333WT



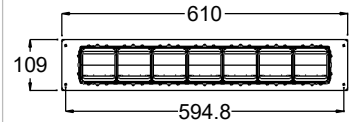
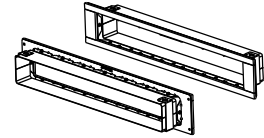
Réf: 250 140  
EZP433WT



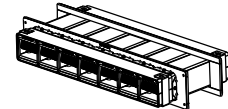
4 x EZD33T2 +  
EZP433WT



Réf: 250 170  
EZP733WT



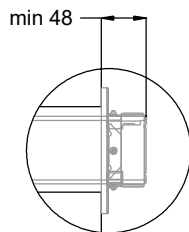
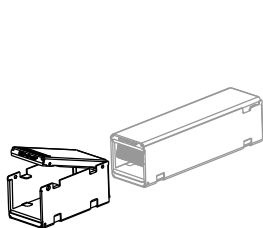
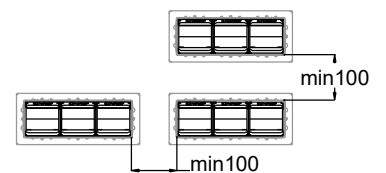
7 x EZD33T2 +  
EZP733WT



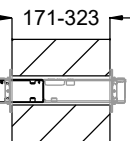
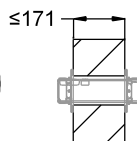
Recommended drilling dimension

	1 x EZD33T2 + EZP133CWT	2 x EZD33T2 + EZP233WT	3 x EZD33T2 + EZP333WT	4 x EZD33T2 + EZP433WT	7 x EZD33T2 + EZP733WT
	Ø 102 mm	X = 155 mm Y = 81 mm	X = 230 mm Y = 81 mm	X = 305 mm Y = 81 mm	X = 540 mm Y = 81 mm
	X = 78 mm Y = 81 mm				

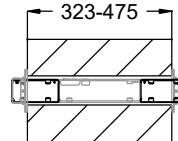
Minimum distance requirement  
between EZ-Path devices



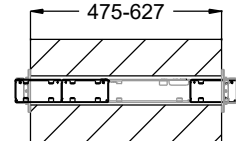
Wall thickness in mm. Device alone or with EZD33E extension for thick barrier.



1 x EZD33E

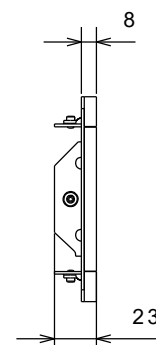


2 x EZD33E



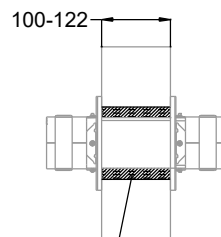
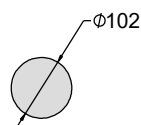
3 x EZD33E

Plate thickness (mm)



Special condition for wall thickness 100mm up to 122mm.  
With circular drilling of Ø102mm:

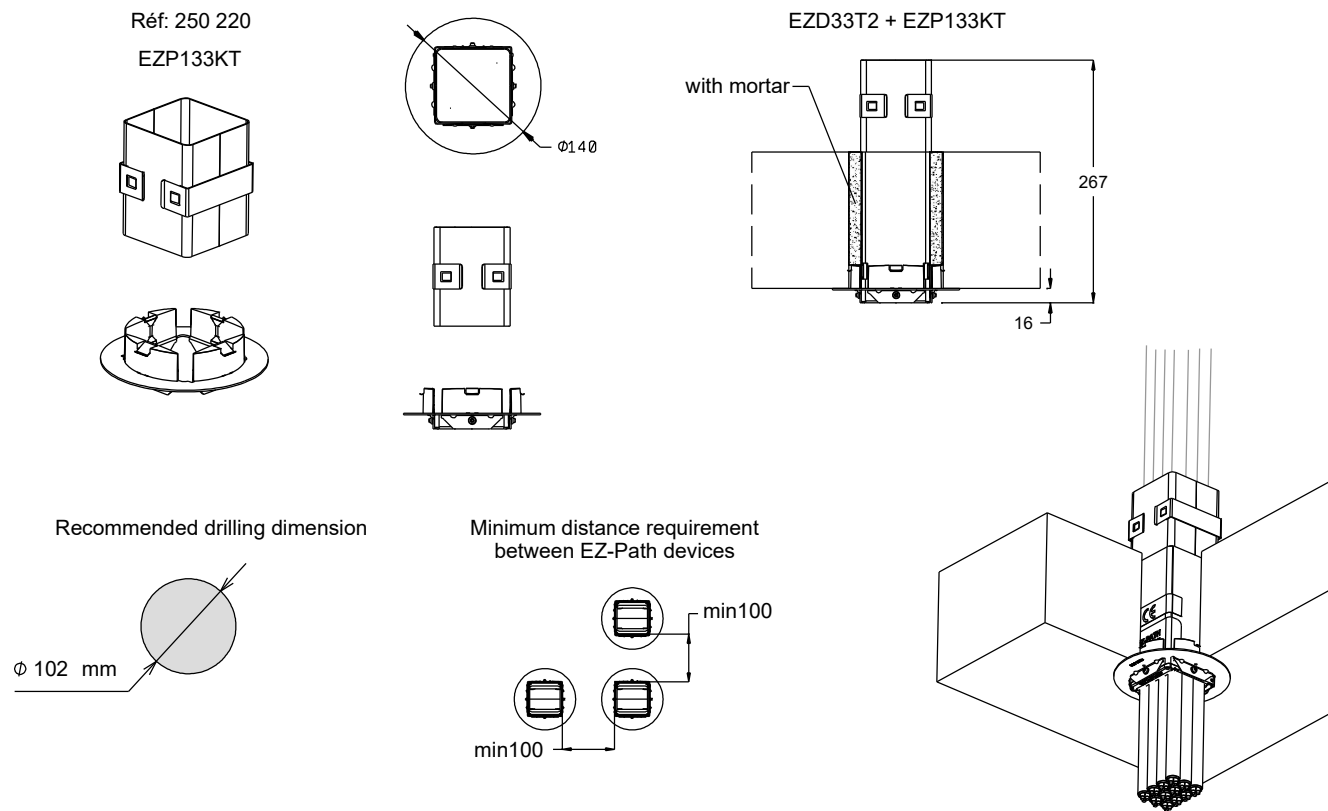
In order to guarantee the EI60 performance  
for the 1xEZD33T2 + EZP133CWT system,  
it is necessary to fill the opening around the  
EZ-Path with RockWool density of 45 kg/m³  
minimum.



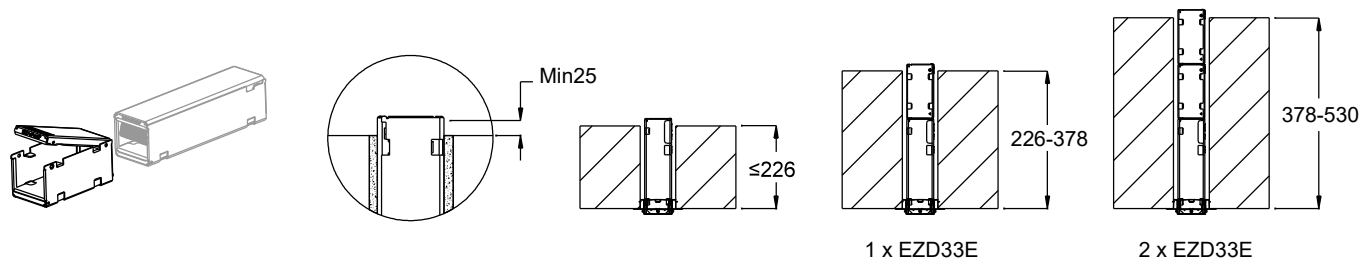
RockWool density of  
45 kg/m³ minimum

**4. TECHNICAL CHARACTERISTICS : EZ-Path® SERIES 33 (cont.)** Dimensions in mm

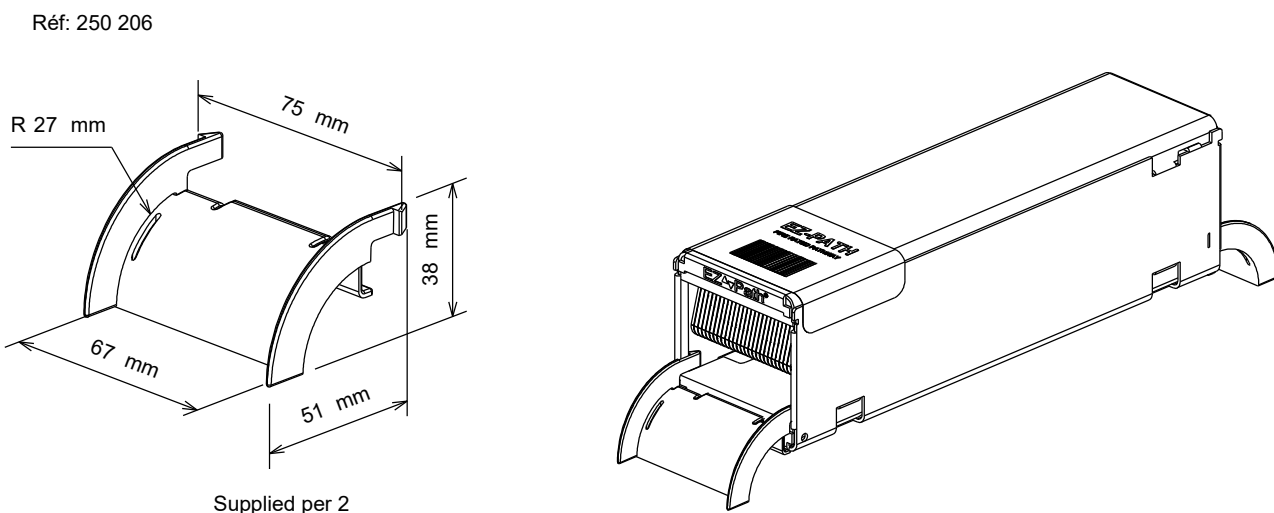
■ **4.5 PLATE for floor mounting : EZP133KT**



Floor thickness in mm. Device alone or with EZD33E extension for thick floors.



■ **4.6 Radius control modules - RCM33**

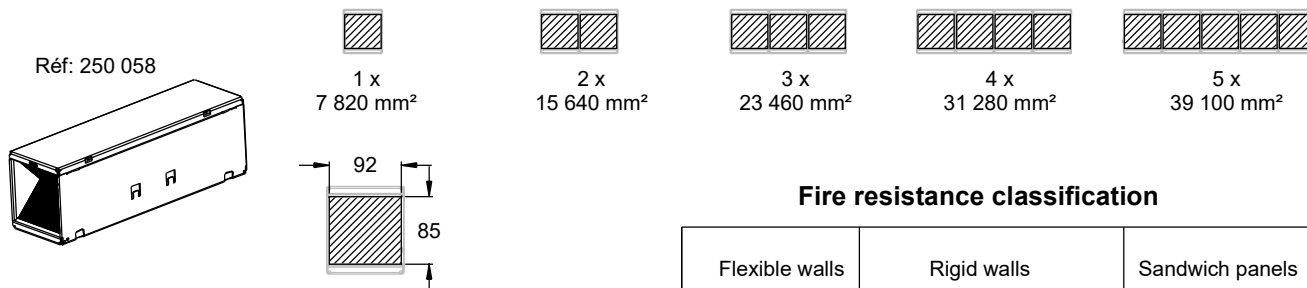


**5. TECHNICAL CHARACTERISTICS : EZ-Path® SERIE 44+**

Dimensions in mm

**5.1 Overview of the systems : EZ-Path Series 44+ for wall applications**

Filling area (for cable capacity, please refer to chapter 6.5 p21)



**Fire resistance classification**

EZ-Path system	detail page	References	In renovation	Ø câble (mm)	Fire resistance classification						
					Flexible walls		Rigid walls			Sandwich panels	
					≥100mm	≥122mm	≥100mm	≥122mm	≥150mm	≥100mm	≥150mm
1x EZD44T2 + mortars	p10	1x 250 058	yes	≤ Ø 21	-	-	EI 90	EI 90	EI 120	-	-
2 - 5x EZD44T2 + mortars	p10	2 - 5x 250 058	yes	≤ Ø 21	-	-	EI 90	EI 90	EI 90	-	-
1x EZD44T2 + EZP144WE	p11	1x 250 058 + 350 700	no	≤ Ø 21	EI 90	EI 90	EI 90	EI 90	EI 120	-	-
1x EZD44T2 + EZP144RSE	p11	1x 250 058 + 350 701	yes	≤ Ø 21	EI 90	EI 90	EI 90	EI 90	EI 120	EI 60	EI 90
1x EZD44T2 + EZP144WT	p12	1x 250 058 + 250 230	no	≤ Ø 21 ≤ Ø 80	- -	EI 120 EI 120	- -	EI 120 EI 120	EI 120 EI 120	EI 120 -	EI 120 -
1 - 5x EZD44T2 + EZP544WE	p13	1 - 5x 250 058 + 350 702	yes	≤ Ø 21	EI 120	EI 120	EI 120	EI 120	EI 120	EI 60	EI 120
1 - 5x EZD44T2 + EZP544WT	p15	1 - 5x 250 058 + 250 250	yes	≤ Ø 21 ≤ Ø 80	- -	EI 120 EI 120	- -	EI 120 EI 120	EI 120 EI 120	- -	EI 120 -

EI : Fire resistance / E : Flame resistance / I : Thermal insulation  
For more information on flame resistance performance (E), please refer to ETA 20/1347

See page 21 for more details

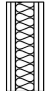

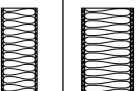
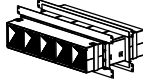
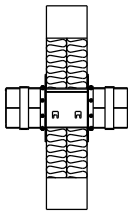
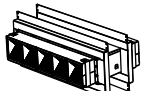
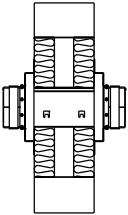
5. TECHNICAL CHARACTERISTICS : EZ-Path® SERIE 44+ (cont.)

Dimensions in mm

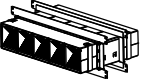
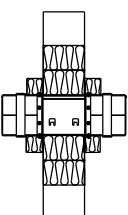
■ 5.2 Overview of the systems : EZ-Path Series 44+ for wall applications. For large opening with Rockwool

Fire resistance classification

**EZ-Path® Serie 44+**  
+ Rockwool Firepro® Ablative Coated Batts  
+ Rockwool FirePro® Intumescent Acoustic Sealant

EZ-Path system	detail page	References	In renovation	Ø câble (mm)	Fire resistance classification			
					Flexible walls ≥100mm 	Rigid walls ≥100mm 	Sandwich panels ≥100mm   ≥150mm 	
1 - 5x EZD44T2 + EZP544WE 	 p13	1 - 5x 250 058 + 350 702	yes	≤ Ø 21	EI 90	EI 90	EI 60	EI 90
1 - 5x EZD44T2 + EZP544WT 	 p15	1 - 5x 250 058 + 250 250	yes	≤ Ø 21	-	-	-	EI 90

**EZ-Path® Serie 44+**  
+ Rockwool Firepro® Softseal Coated Strips  
+ Rockwool FirePro® Intumescent Acoustic Sealant

1 - 5x EZD44T2 + EZP544WE 	 p13	1-5x 250 058 + 350 702	yes	≤ Ø 80	-	-	EI 90	EI 90
---	--	---------------------------------	-----	--------	---	---	-------	-------

EI : Fire resistance / E : Flame resistance / I : Thermal insulation  
For more information on flame resistance performance (E), please refer to ETA 20/1347

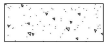
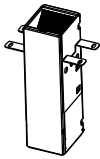
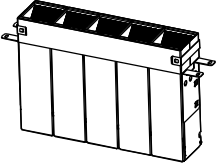
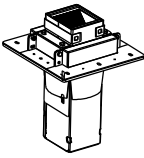
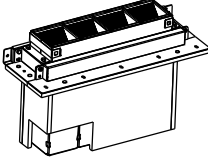
See page 21 for more details



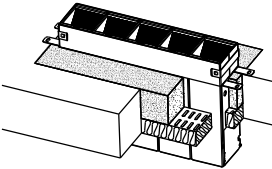
5. TECHNICAL CHARACTERISTICS : EZ-Path® SERIES 44+ (cont.)

Dimensions in mm

■ 5.3 Overview of the systems : EZ-Path Series 44+ for floor applications

EZ-Path systems	detail page	References	In renovation	Ø cable (mm)	Fire resistance classification
					Rigid floors ≥150mm 
1x EZD44T2 + EZP144MBE + mortar	 p17	1x 250 058 + 350 703	yes	≤ Ø 21	EI 120
2-5x EZD44T2 + EZP544MBE + mortar	 p18	2-5x 250 058 + 350 704	yes	≤ Ø 21	EI 120
1x EZD44T2 + EZG144T	 p19	1x 250 058 + 250 260	yes	≤ Ø 21 ≤ Ø 50 ≤ Ø 80	EI 180 EI 120 EI 90
4x EZD44T2 + EZG444T	 p19	4x 250 058 + 250 370	no	≤ Ø 21 ≤ Ø 80	EI 180 EI 120

**EZ-Path® Series 44+**  
**+ Rockwool Firepro® Ablative Coated Batts**  
**+ Rockwool FirePro® Firestop Compound**

1-5x EZD44T2 + EZP544MBE	 p18	1x 250 058 + 350 704	yes	≤ Ø 21	EI 120
-----------------------------------	--	-------------------------------	-----	--------	--------

**EI** : Fire resistance / **E** : Flame resistance / **I** : Thermal insulation  
For more information on flame resistance performance (**E**), please refer to ETA 20/1347

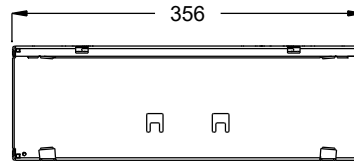
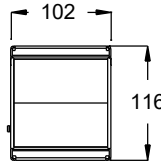
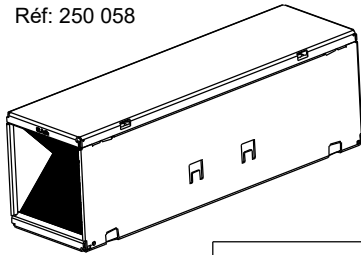
See page 21 for more details

**5. TECHNICAL CHARACTERISTICS : EZ-Path® SERIES 44+ (cont)**

Dimensions in mm

**5.4 FIRESTOP DEVICE : EZD44T2**

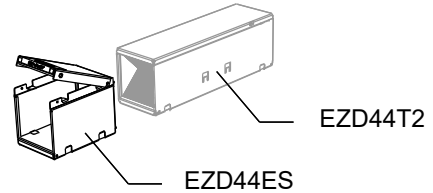
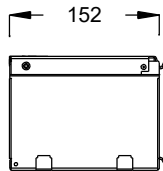
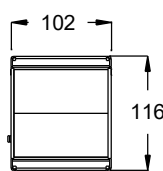
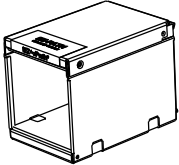
Réf: 250 058



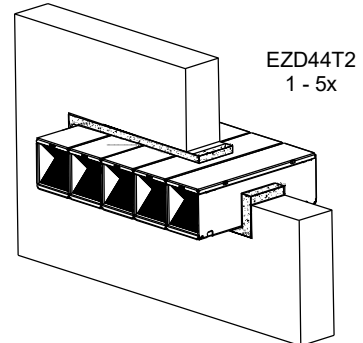
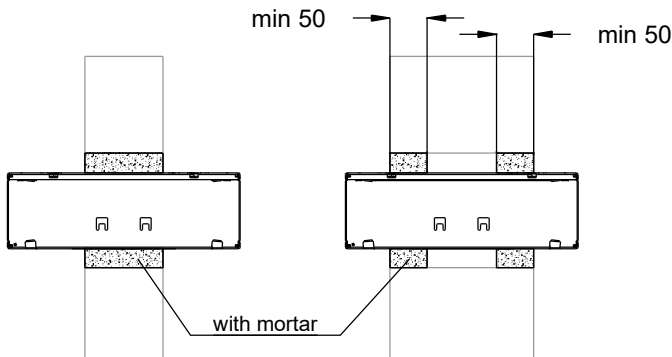
<p>Possibility of grounding</p>	<p>7,820 mm<sup>2</sup> Cable loading</p>	<p>Approved for all cable types, filling empty up to 100%</p>	<p>can be use for existing cables</p>
---------------------------------	---	---	---

**5.5 EXTENSION for thick wall : EZD44ES**

Réf: 250 178



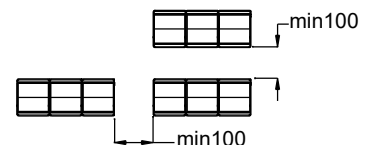
**5.6 Firestop device wall mouting with mortar**



Recommended drilling dimension

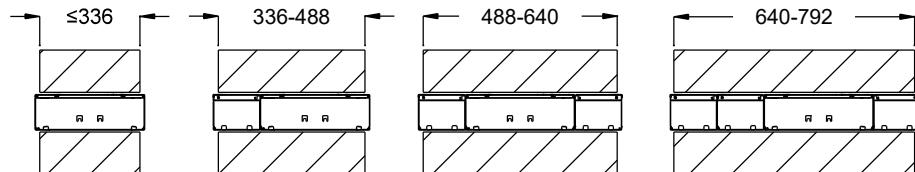
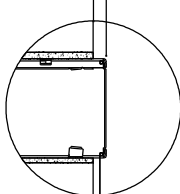
	1 x	2 x	3 x	4 x	5 x
	Ø152-155mm	X = 241 mm Y = 140 mm	X = 343 mm Y = 140 mm	X = 445 mm Y = 140 mm	X = 547 mm Y = 140 mm
	X = 139 mm Y = 140 mm +/- 15mm	+/- 15mm	+/- 15mm	+/- 15mm	+/- 15mm

Minimum distance requirement  
between EZ-Path devices



min 10

Wall thickness in mm. Device alone or with EZD44T2 extension for thick barrier.



1 x EZD44ES

2 x EZD44ES

3 x EZD44ES

**5. TECHNICAL CHARACTERISTICS : EZ-Path® SERIES 44+ (cont.)**

Dimensions in mm

**5.7 Plate for wall mounting : EZP144WE**

Réf: 350 700

**EZD44T2 + EZP144WE**

Recommended drilling dimension:  $\Phi 152 - \Phi 155$

Flexible walls | Rigid walls

Minimum distance requirement between EZ-Path devices

Wall thickness in mm. Device alone or with EZD44ES extension for thick barrier.

min 44	$\leq 268$	268-420	420-572	420-572
	1 x EZD44ES	2 x EZD44ES	2 x EZD44ES	3 x EZD44ES

**5.8 Plate for wall mounting for existing cables : EZP144RSE**

Réf: 350 701

**EZD44T2 + EZP144RSE**

Recommended drilling dimension:  $\Phi 152 - \Phi 155$

Flexible walls | Rigid walls | Sandwich panels

Minimum distance requirement between EZ-Path devices

Wall thickness in mm. Device alone or with EZD44ES extension for thick barrier.

min 51	$\leq 254$	254-406	254-406	254-406
	1 x EZD44ES	2 x EZD44ES	2 x EZD44ES	3 x EZD44ES

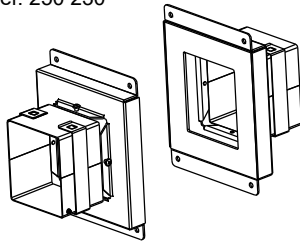
can be use for existing cables

**5. TECHNICAL CHARACTERISTICS : EZ-Path® SERIES 44+ (cont.)**

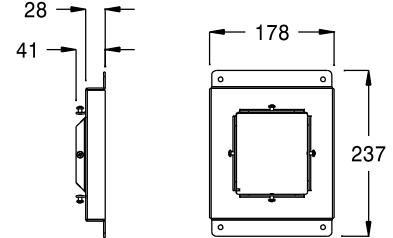
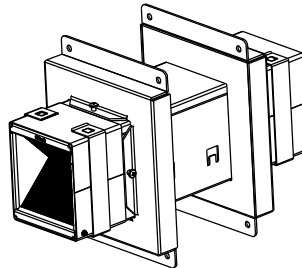
Dimensions in mm

■ **5.9 Plate for wall mounting : EZP144WT**

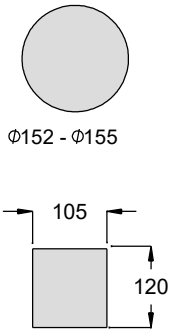
Réf: 250 230



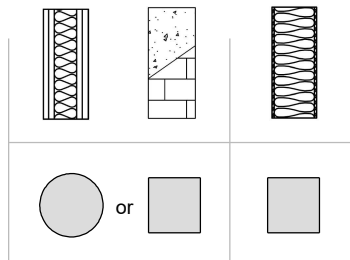
1 x EZD44T2 + EZP144WT



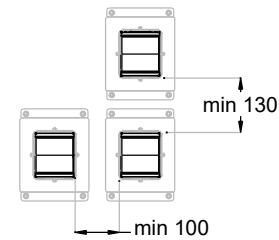
Recommended  
drilling dimension



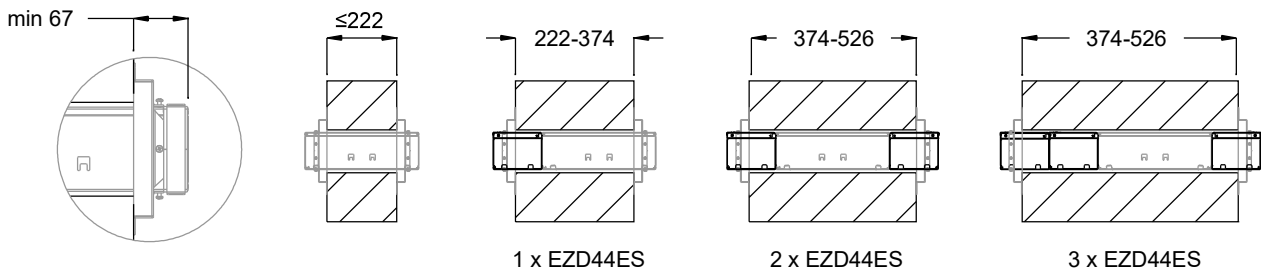
Flexible walls    Rigid walls    Sandwich panels



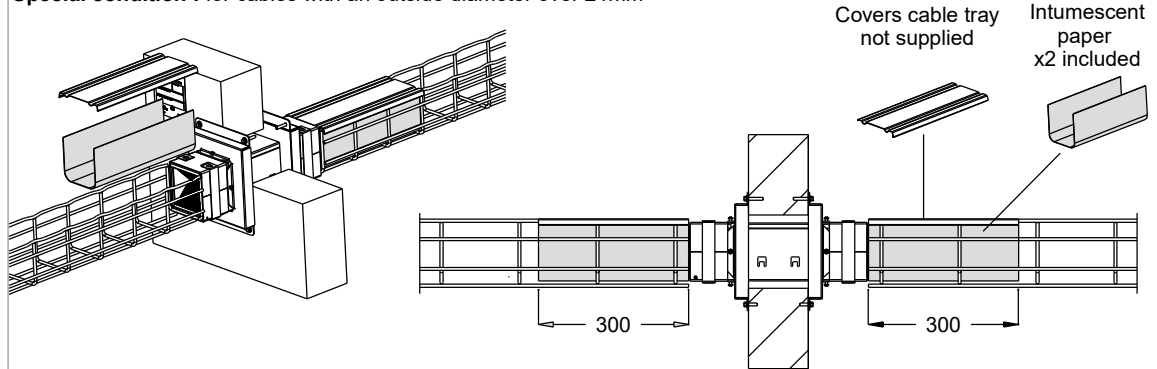
Minimum distance requirement  
between EZ-Path devices



Wall thickness in mm. Device alone or with EZD44ES extension for thick barrier.



**Special condition : for cables with an outside diameter over 21mm**

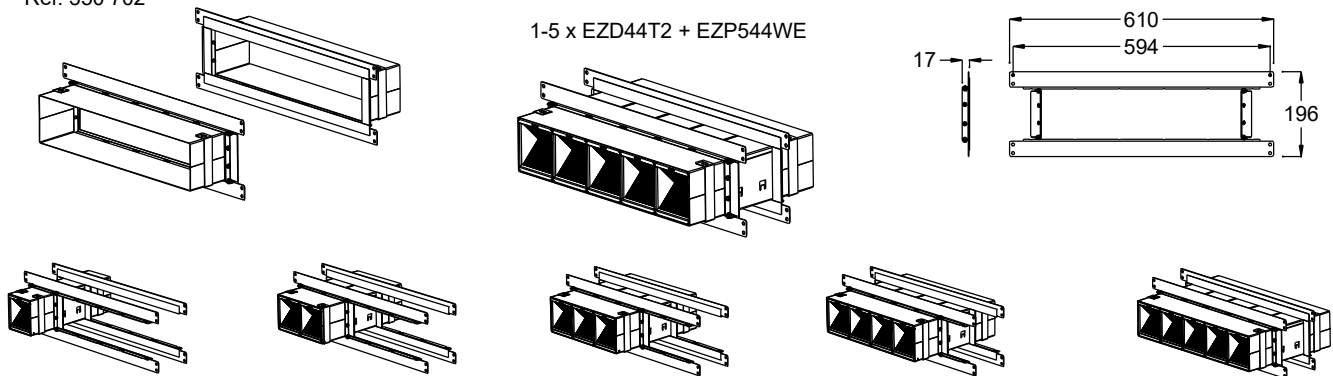


**5. TECHNICAL CHARACTERISTICS : EZ-Path® SERIES 44+ (cont.)**

Dimensions in mm

**■ 5.10 Plate for wall mounting : EZP544WE**

Réf: 350 702



Recommended drilling dimension

	1 x	2 x	3 x	4 x	5 x
	X = 105 mm Y = 118 mm	X = 206 mm Y = 118 mm	X = 309 mm Y = 118 mm	X = 412 mm Y = 118 mm	X = 515 mm Y = 118 mm

- SPECIAL CONDITION case n° 1 : EZD44T2 + EZP544WE + Rockwool Firepro® Ablative Coated Batts + Rockwool FirePro® Intumescent Acoustic Sealant

Recommended drilling dimension for large opening

	Xmax = 568 mm Ymax = 800 mm	Xmax = 568 mm Ymax = 600 mm

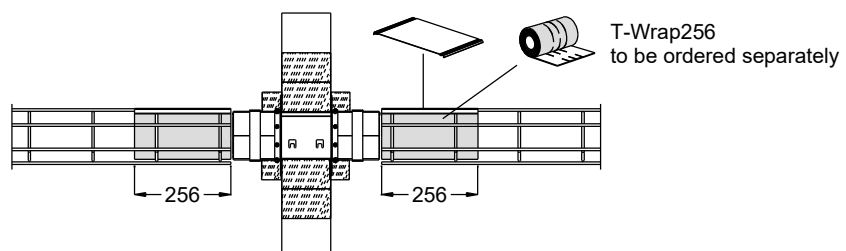
- SPECIAL CONDITION case n° 2 : EZD44T2 + EZP544WE + Rockwool Firepro® Softseal Coated Strips + Rockwool FirePro® Intumescent Acoustic Sealant.

Recommended drilling dimension for large opening

	Xmax = 525 mm Ymax = 600 mm	

**Special condition :** for cables with an outside diameter over 21mm

Covers cable tray not supplied



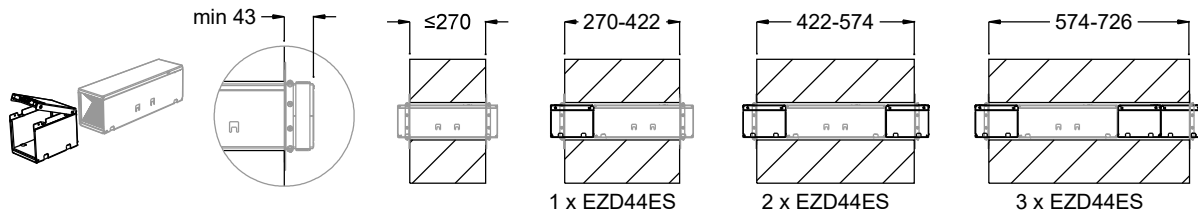
\* Please refer to ETA -20/1347 for more details.

**5. TECHNICAL CHARACTERISTICS : EZ-Path® SERIES 44+ (cont.)**

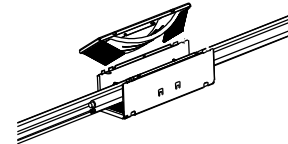
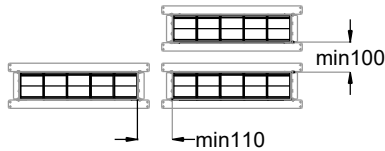
Dimensions in mm

■ **5.10 Plate for wall mounting - EZP544WE (Cont.)**

Wall thickness in mm. Device alone or with EZD44ES extension for thick barrier.



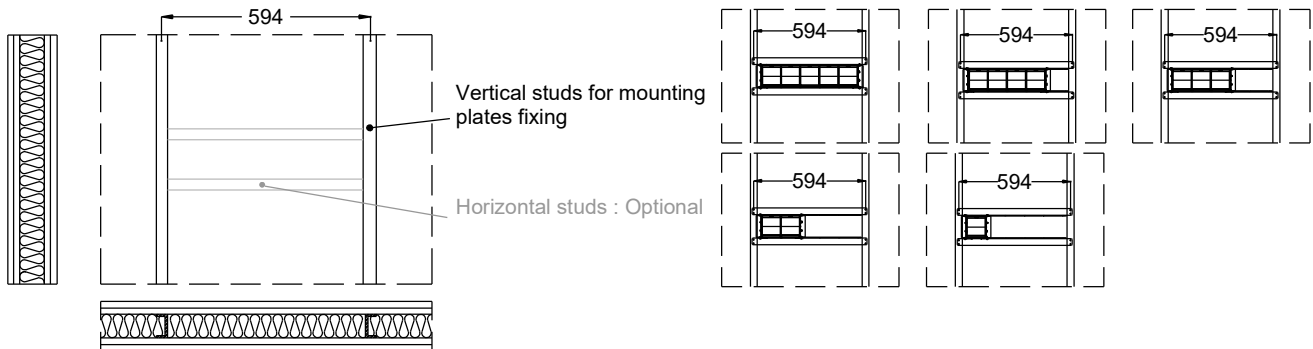
Minimum distance requirement between EZ-Path devices



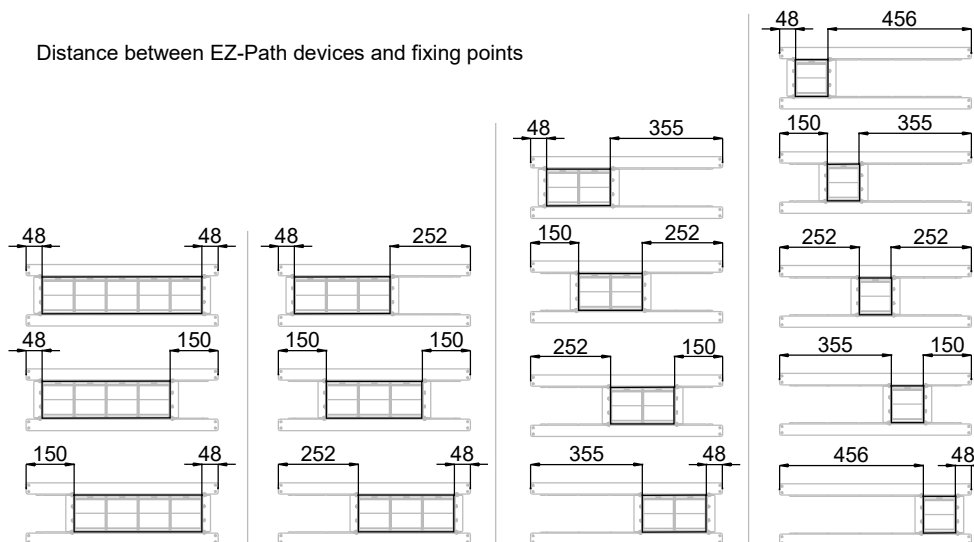
can be use for existing cables

Method of installation in flexible walls with metal studs

Distance between fixing points

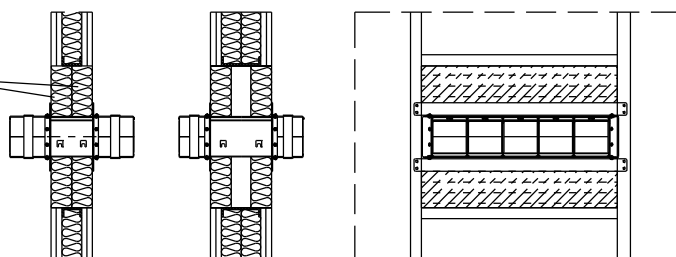


Distance between EZ-Path devices and fixing points



**Special condition** : Large opening with association of a rockwool system

Approved Coated  
Rockwool Panel\*



\* Please refer to ETA -20/1347  
for more details.

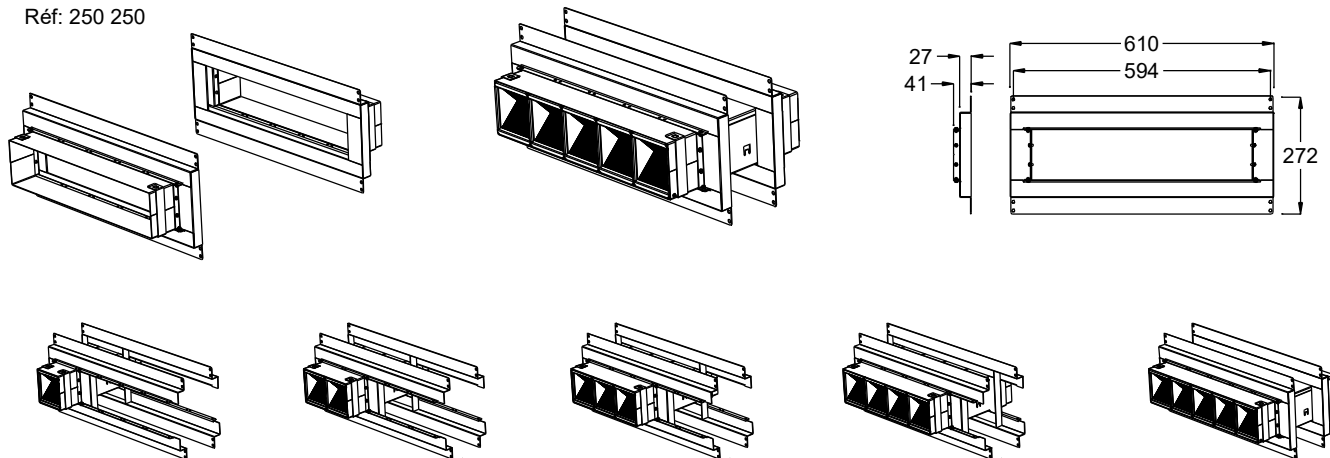
5. TECHNICAL CHARACTERISTICS : EZ-Path® SERIES 44+ (cont.)

Dimensions in mm

■ 5.11 Plate for wall mounting : EZP544WT

Réf: 250 250

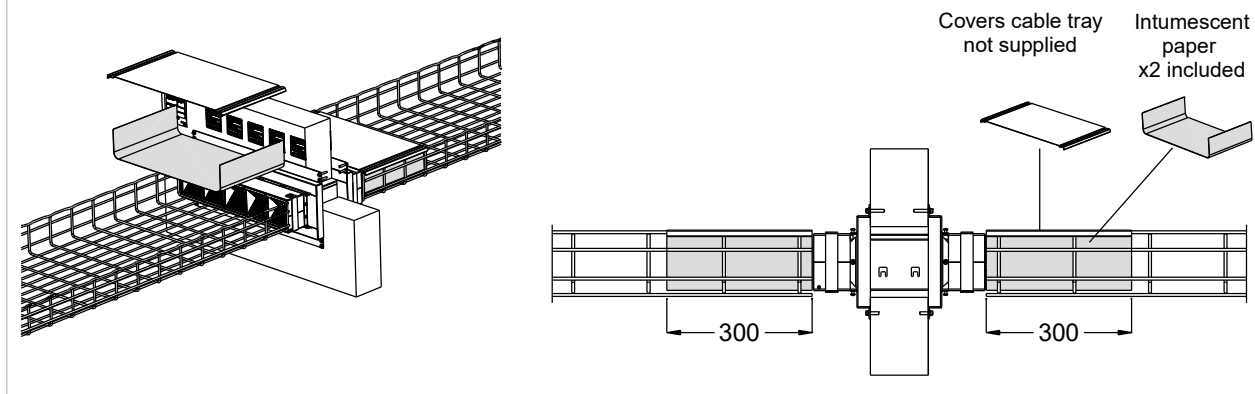
1-5 x EZD44T2 + EZP544WT



- Recommended drilling dimension

	1 x	2 x	3 x	4 x	5 x
	 X = 105 mm Y = 120 mm	 X = 206 mm Y = 120 mm	 X = 309 mm Y = 120 mm	 X = 412 mm Y = 120 mm	 X = 515 mm Y = 120 mm

Special condition : for cables with an outside diameter over 21mm



- SPECIALES CONDITIONS : EZD44T2 + EZP544WT + Rockwool Firepro® Ablative Coated Batts  
+ Rockwool FirePro® Intumescent Acoustic Sealant

Recommended drilling dimension for large opening

<p>cables <math>\varnothing \leq 21\text{mm}</math></p>		
<p>Approved Coated Rockwool Panel *</p>		<p>Xmax = 568 mm Ymax = 600 mm</p>

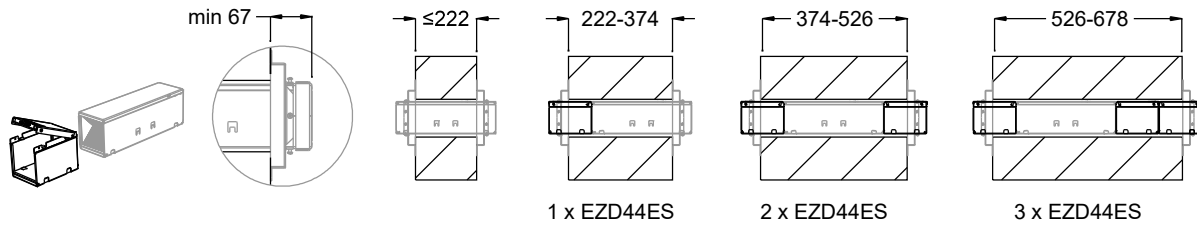
\* Veuillez vous référer a l'ETA -20/1347 pour plus de détails.

**5. TECHNICAL CHARACTERISTICS : EZ-Path® SERIES 44+ (cont.)**

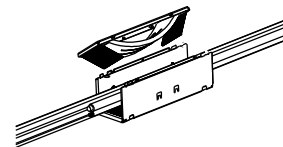
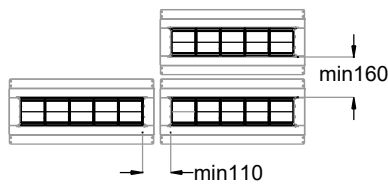
Dimensions in mm

■ **5.11 Plate for wall mounting : EZP544WT (cont.)**

Wall thickness in mm. Device alone or with EZD44ES extension for thick barrier.



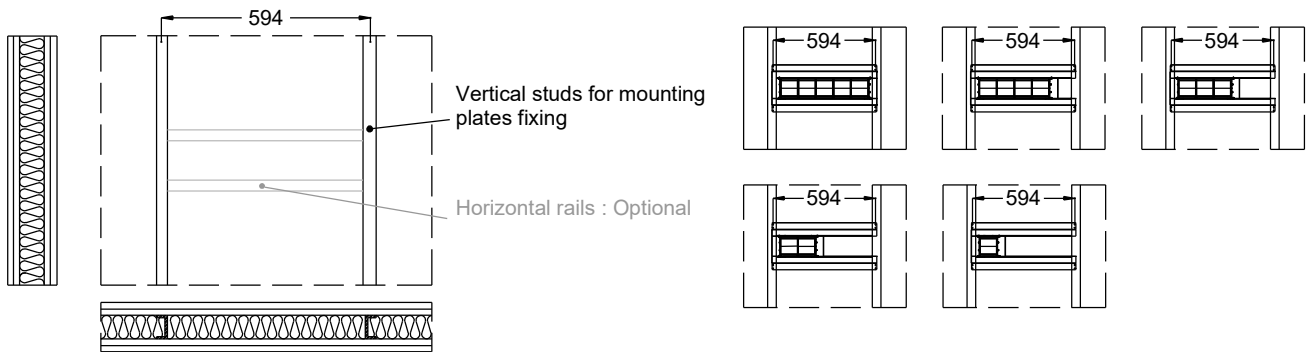
Minimum distance requirement between EZ-Path devices



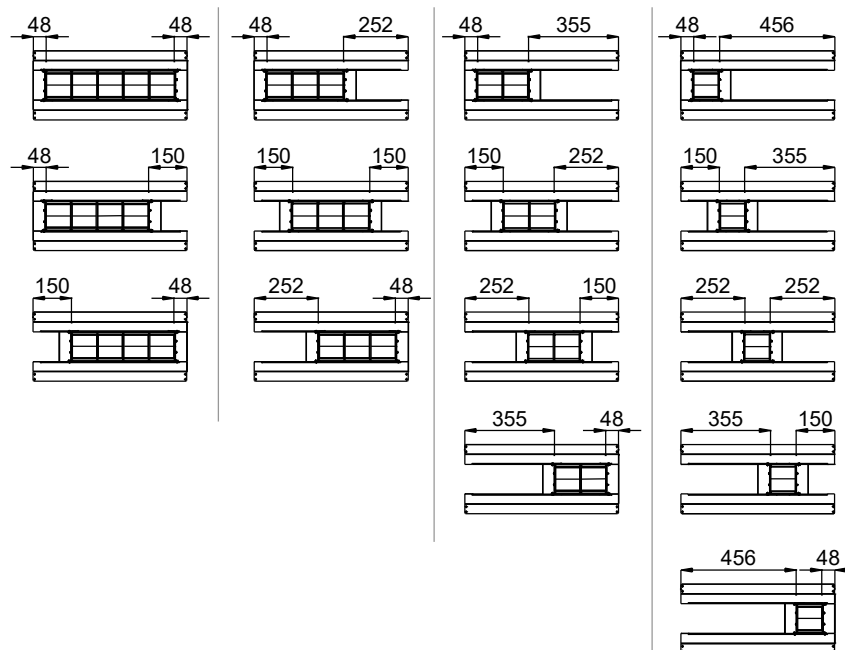
can be use for existing cables

Method of installation in flexible walls with metal studs

Distance between fixing points



Distance between EZ-Path devices and fixing points





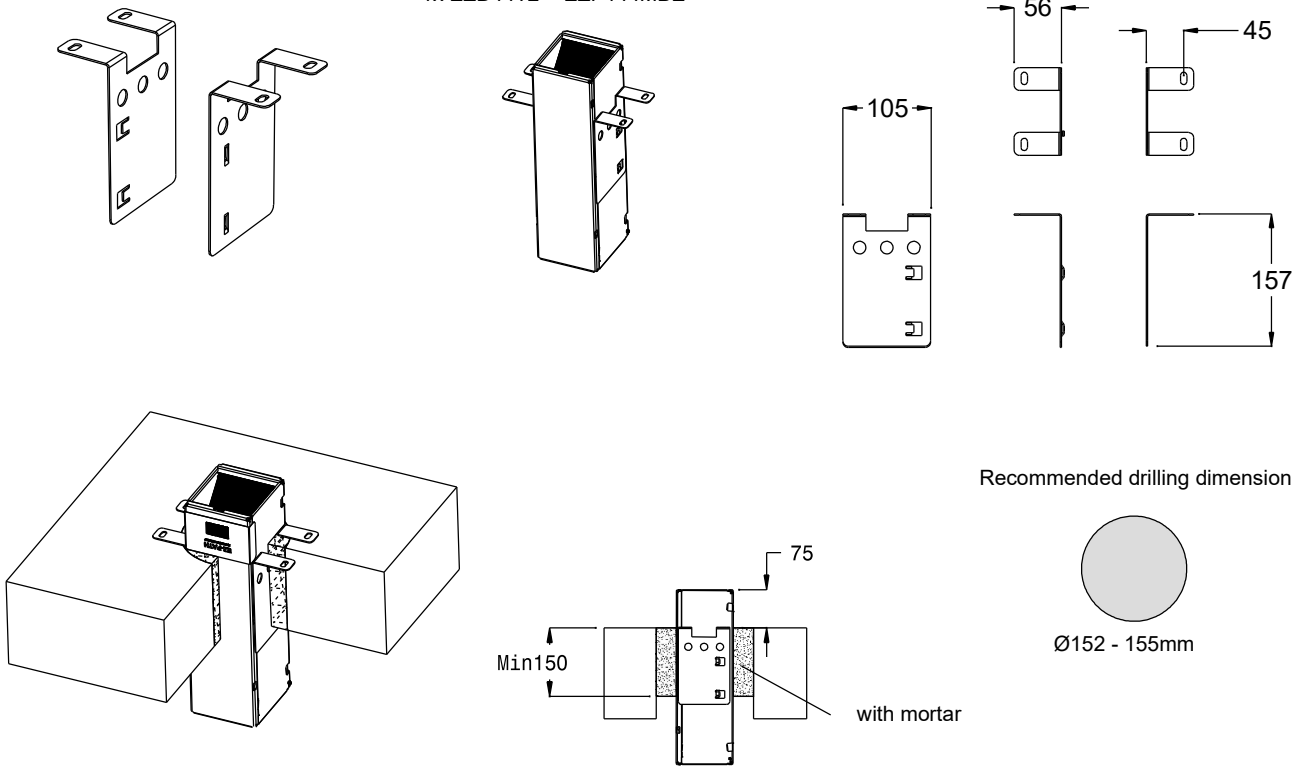
**5. TECHNICAL CHARACTERISTICS : EZ-Path® SERIES 44+ (cont.)**

Dimensions in mm

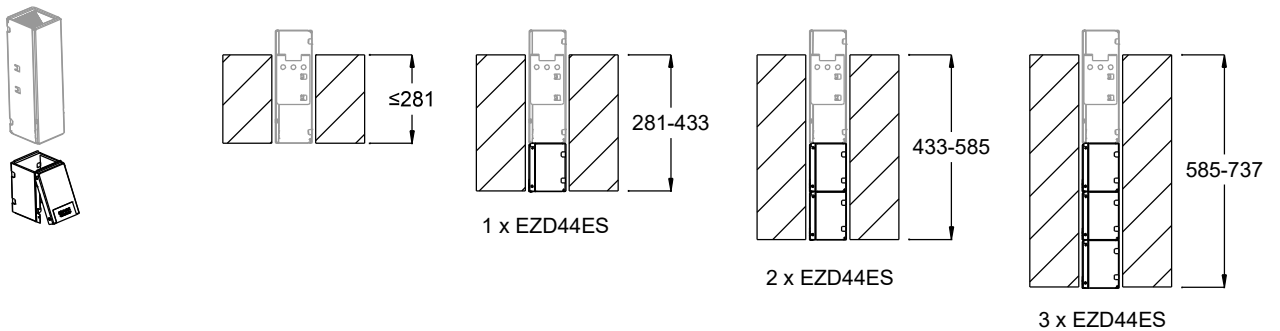
**■ 5.12 Plate for floor mounting : E郑144MBE**

Réf: 350 703

1x E郑44T2 + E郑144MBE



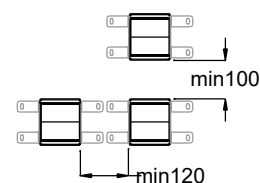
Floor thickness in mm. Device alone or with E郑44ES extension for thick floors. (Added extension is optional)



can be use for existing cables



Minimum distance requirement  
between EZ-Path devices

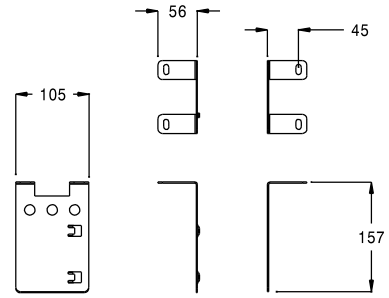
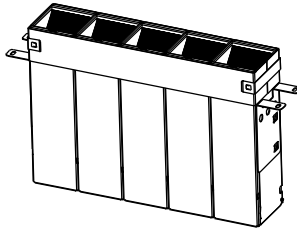
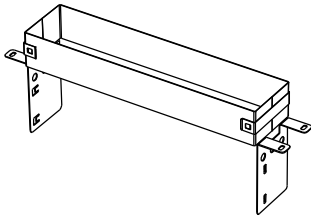


5. TECHNICAL CHARACTERISTICS : EZ-Path® SERIES 44+ (cont.)

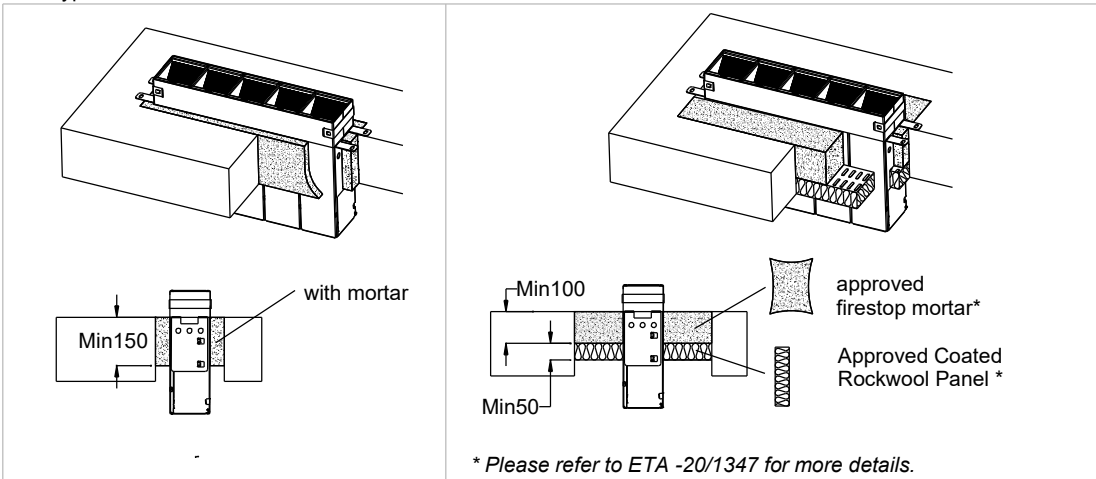
Dimensions in mm

■ 5.13 Plate for floor mounting : EZP544MBE

Réf: 350 704



Seal types



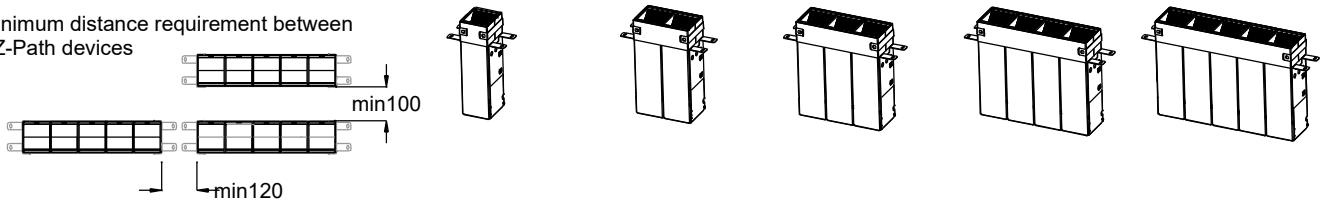
can be use for existing cables



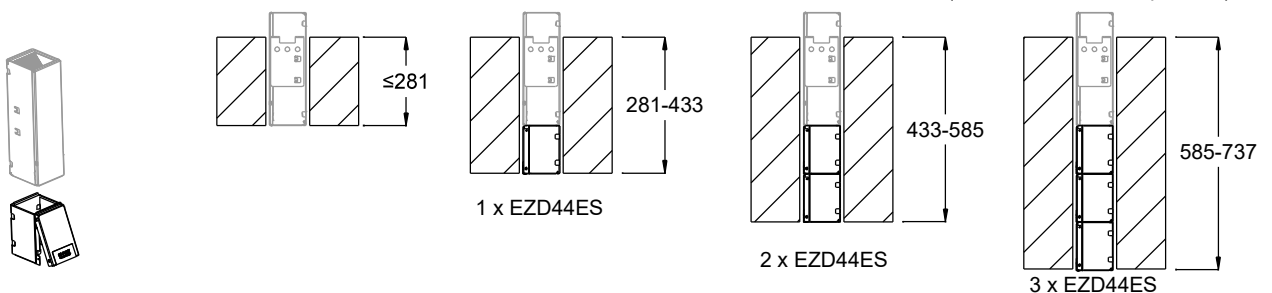
\* Please refer to ETA -20/1347 for more details.

Recommended drilling dimension	1x	2x	3x	4x	5x
with mortar	 Ø152 - 155mm X=117mm (+/-5) Y=152mm (+/-10)	 X=219mm (+/-5) Y=152mm (+/-10)	 X=333mm (+/-5) Y=152mm (+/-10)	 X=443mm (+/-5) Y=152mm (+/-10)	 X=545mm (+/-5) Y=152mm (+/-10)
With firestop mortar + Rockwool	 Ø152 - 155mm X=117mm (+/-5) Ymin = 150mm Ymax = 320mm	 X=219mm (+/-5) Ymin = 150mm Ymax = 320mm	 X=333mm (+/-5) Ymin = 150mm Ymax = 320mm	 X=443mm (+/-5) Ymin = 150mm Ymax = 320mm	 X=545mm (+/-5) Ymin = 150mm Ymax = 320mm

Minimum distance requirement between EZ-Path devices



Floor thickness in mm. Device alone or with EZD44ES extension for thick floors. (Added extension is optional)

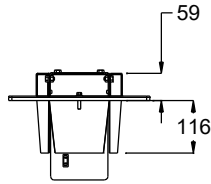
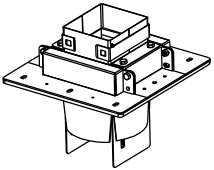


**5. TECHNICAL CHARACTERISTICS : EZ-Path® SERIES 44+ (cont.)**

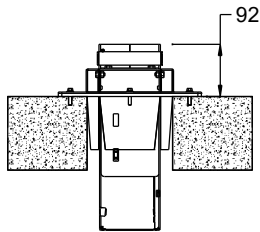
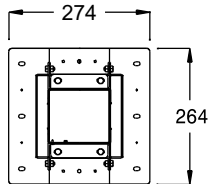
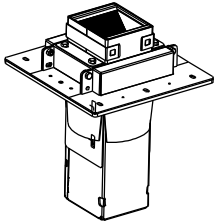
Dimensions in mm

**5.14 Plate for floor mounting : EZG144T**

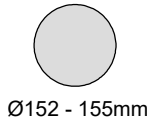
Réf: 250 260



1x EZD44T2 + EZG144T



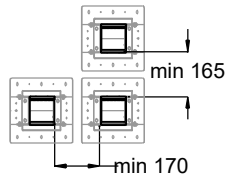
Recommended drilling dimension



can be use for existing cables

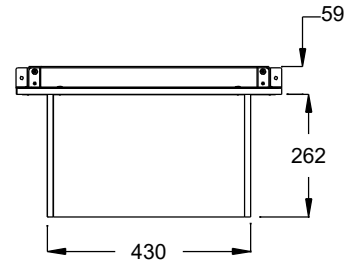
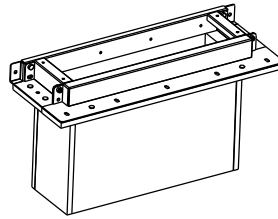


Minimum distance requirement  
between EZ-Path devices

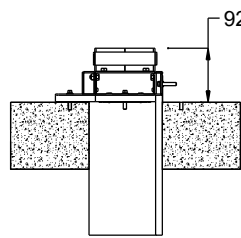
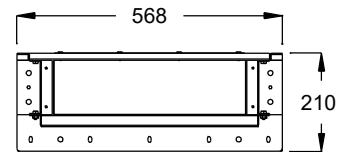
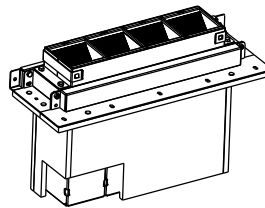


**5.15 Plate for floor mounting : EZG444T**

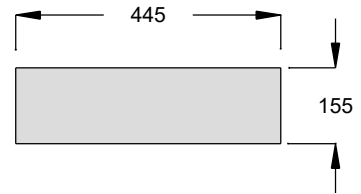
Réf: 250 370



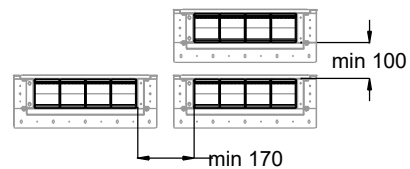
4x EZD44T2 + EZG444T



Recommended drilling dimension

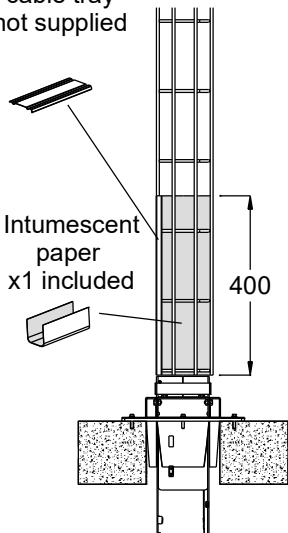


Minimum distance requirement  
between EZ-Path devices

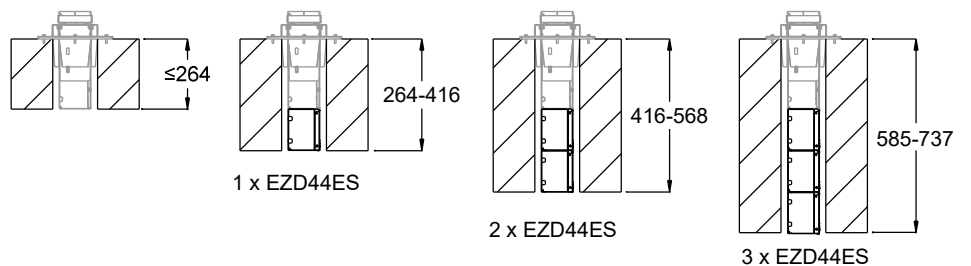


**EZG144T - EZG444T**

Covers  
cable tray  
not supplied



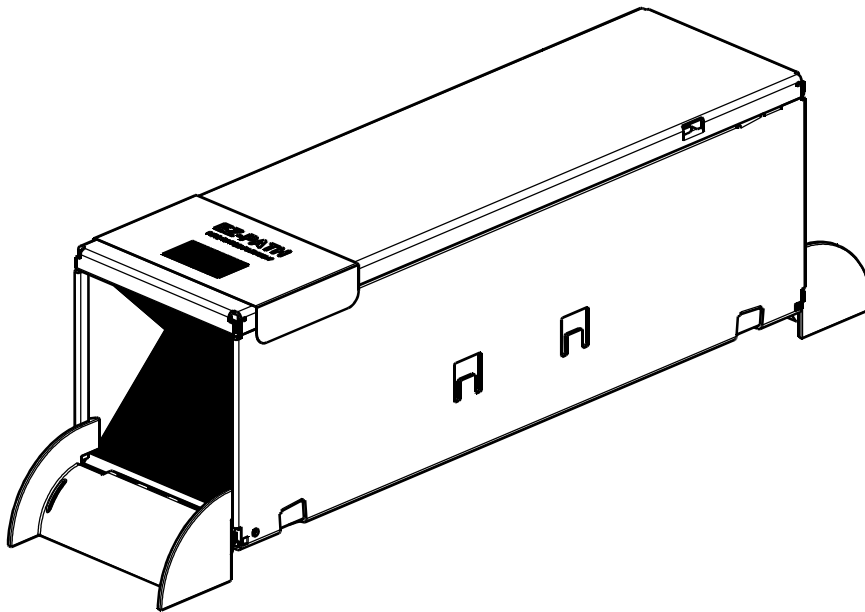
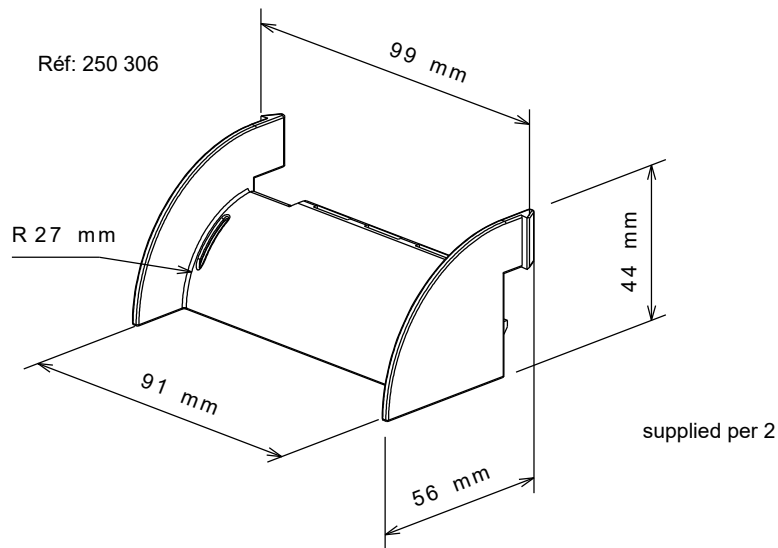
Floor thickness in mm. Device alone or with EZD44ES extension for thick floors.  
(Added extension is optional)



5. TECHNICAL CHARACTERISTICS : EZ-Path® SERIES 44+ (cont.)

Dimensions in mm

■ 5.16 Radius control module : EZRCM44S



## 6. General characteristics

### 6.1 Definition

The degree of fire resistance (EI) is measured as follows :

- **E** : Flame resistance, i.e. the duration (min) during which the system blocks the passage of flames.
- **I** : Thermal insulation, i.e. the duration (min) during which the system limits the rise in temperature to a maximum of 180°C

EZ-Path® devices can be used in all types of walls or floors according to the characteristics below :

Flexible walls
The wall must have a minimum thickness of 100 mm and comprise steel studs or timber studs lined on both faces with minimum 2 layers of 12.5 mm thick boards.

Rigid walls
The wall must have a minimum thickness of 100 mm and comprise concrete, aerated concrete or masonry, with a minimum density of 650 kg/m <sup>3</sup> .

Sandwich panels
The wall must have a minimum thickness of 100mm. Tested with Firemaster Wall Extra panel. Steel faced with 0.50mm-0.7mm external and internal face. Shall comprise Euroclass A1 stonewool core in line with EN13501-1, Euroclad A2-s1, d0 for the full panel build-up.

Rigid floors
The floor must have a minimum thickness of 150 mm and comprise concrete, aerated concrete or masonry, with a minimum density of 650 kg/m <sup>3</sup> .

### 6.2 Certification

- Range EZ Path series 33 and series 44+ (device and plates) :  
**ETA-20/1347 - DOP n°6 1003-FR**

- RFG-2 : **ETA-20/1304 - DOP n°6 1004-FR**

Fire resistance rating : EN 1366-3
Fire reaction class : EN 13501-1
Fire resistance classification : EN 13501-2

### 6.3 Airflow and leakage area \*

CASE OF A GAS FIRE EXTINGUISHER (IAEG)

According to the jurisdiction: NFPA2001, ISO14520, or EN15004 which specifies the testing requirements for gas fire safety installations. Airflow and leakage areas measured in compliance with EN1026 :

	EZD 33T2 empty		EZD 33T2 full	
	m <sup>3</sup> /h	EqLa cm <sup>2</sup>	m <sup>3</sup> /h	EqLa cm <sup>2</sup>
25 Pa	0.30	Please contact the technical department	1.05	Please contact the technical department
50 Pa	0.50		1.76	
75 Pa	0.41		2.40	
100 Pa	0.59		3.05	
150 Pa	0.71		4.16	

	EZD 44T2 empty		EZD44T2 full	
	m <sup>3</sup> /h	EqLa cm <sup>2</sup>	m <sup>3</sup> /h	EqLa cm <sup>2</sup>
25 Pa	0.40	Please contact the technical department	4.18	Please contact the technical department
50 Pa	0.60		6.77	
75 Pa	0.80		9.16	
100 Pa	0.90		11.25	
150 Pa	1.29		15.24	

The constant performance of the EZ-Path® system provides fire protection as well as a seal against smoke and inhibiting/inert gases without the need for human intervention to re-seal.

## 6. General characteristics (cont.)

### 6.4 Acoustic performance \*

ACOUSTIC BARRIER

THE STC Rating (Sound Transmission Class) defines the acoustic seal of firestop products in accordance with standard ASTM E90

	STC (Empty device)	STC (Full device)
EZ-Path® Series 33	50	50
EZ-Path® Series 44+	54	47

### 6.5 Theoretical maximum cable capacity

Cable diameter (mm)	Maximum number of cables	
	EZD33T2	EZD44T2
Ø 3	368	868
Ø 3.5	266	648
Ø 4	204	483
Ø 4.5	165	399
Ø 5	130	323
Ø 5.5	108	255
Ø 6	88	210
Ø 6.5	70	182
Ø 7	63	156
Ø 8	48	110
Ø 9	35	90
Ø 12.5	20	42
Ø 15	12	30
Ø 18	6	20
Ø 20	6	16
Ø 25	4	9
Ø 30	2	6
Ø 35	2	4
Ø 50	1	2
Ø 80	-	1

\*\* The maximum cable capacity may be affected by cable diameter tolerance, cable roundness, cable position, cable combination and installation method.

### 6.6 Divers

Halogen free according to IEC 61249-2-21

Storage and use temperature ≤ 49°C

Unlimited shelf life

\* For more details on leak rates and acoustic performance, please contact the technical department