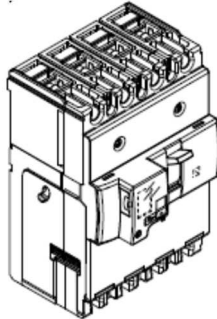


DPX³ 250 Electronic

Reference(s): 420 302/ 305/ 307/ 309/ 312/ 315/ 317/ 319/ 332/ 335/ 337/ 339/ 342/ 345/ 347/ 349/ 362/ 365/ 367/ 369/ 372/ 375/ 377/ 379/ 635/ 637/ 638/ 639/ 645/ 647/ 648/ 649/ 502/ 505/ 507/ 509/ 512/ 515/ 517/ 519/ 522/ 525/ 527/ 529/ 532/ 535/ 537/ 539/ 542/ 545/ 547/ 549/ 552/ 555/ 557/ 559/ 692/ 695/ 697/ 699/ 702/ 705/ 707/ 709 /402/ 405/ 407/ 409/ 412/ 415/ 417/ 419/ 432/ 435/ 437/ 439/ 442/ 445/ 447/ 449/ 462/ 465/ 467/ 469/ 472/ 475/ 477/ 479/ 665/ 667/ 668/ 669/ 675/ 677/ 678/ 679



CONTENTS

CONTENTS	PAGES
1. USE	1
2. RANGE	1
3. DIMENSIONS	1
4. OVERVIEW	2
5. ELECTRICAL AND MECHANICAL CHARACTERISTICS	3
6. CONFORMITY	5
7. EQUIPMENTS AND ACCESSORIES	5
8. CURVES	7

1. USE

DPX³ "moulded case" circuit breaker offers optimal solutions to answer to protection requirements of tertiary and industrial installations.

2. RANGE

Circuit breakers

DPX³ ELECTRONIC

I _n (A)	25 kA		36 kA		50 kA		70kA	
	3P	4P	3P	4P	3P	4P	3P	4P
40	4 203 02	4 203 12	4 203 32	4 203 42	4 203 62	4 203 72	4 206 35	4 206 45
100	4 203 05	4 203 15	4 203 35	4 203 45	4 203 65	4 203 75	4 206 37	4 206 47
160	4 203 07	4 203 17	4 203 37	4 203 47	4 203 67	4 203 77	4 206 38	4 206 48
250	4 203 09	4 203 19	4 203 39	4 203 49	4 203 69	4 203 79	4 206 39	4 206 49

DPX³ ELECTRONIC (Sg)

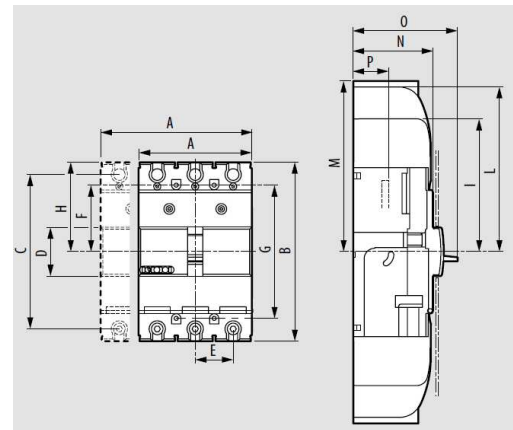
I _n (A)	25 kA		36 kA		50 kA		70kA	
	3P	4P	3P	4P	3P	4P	3P	4P
40	4 205 02	4 205 12	4 205 22	4 205 32	4 205 42	4 205 52	4 206 92	4 207 02
100	4 205 05	4 205 15	4 205 25	4 205 35	4 205 45	4 205 55	4 206 95	4 207 05
160	4 205 07	4 205 17	4 205 27	4 205 37	4 205 47	4 205 57	4 206 97	4 207 07
250	4 205 09	4 205 19	4 205 29	4 205 39	4 205 49	4 205 59	4 206 99	4 207 09

DPX³ ELECTRONIC + MEASURE

I _n (A)	25 kA		36 kA		50 kA		70kA	
	3P	4P	3P	4P	3P	4P	3P	4P
40	4 204 02	4 204 12	4 204 32	4 204 42	4 204 62	4 204 72	4 206 65	4 206 75
100	4 204 05	4 204 15	4 204 35	4 204 45	4 204 65	4 204 75	4 206 67	4 206 77
160	4 204 07	4 204 17	4 204 37	4 204 47	4 204 67	4 204 77	4 206 68	4 206 78
250	4 204 09	4 204 19	4 204 39	4 204 49	4 204 69	4 204 79	4 206 69	4 206 79

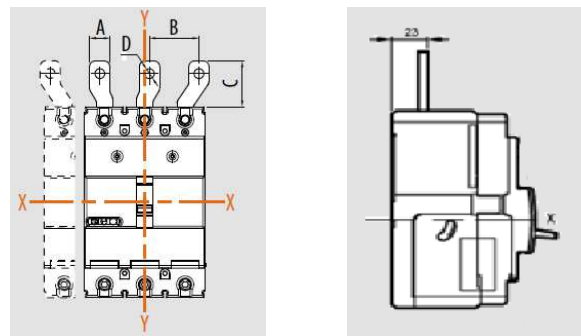
3. DIMENSIONS

Fixed version



	A	B	C	D	E	F	G	H	I	L	N	O	P
3P	105	165	142,5	45	35	61,5	123	82,5	112,5	150	74	100	18
4P	140	165	142,5	45	35	61,5	123	82,5	112,5	150	74	100	18

Fixed version, front terminals

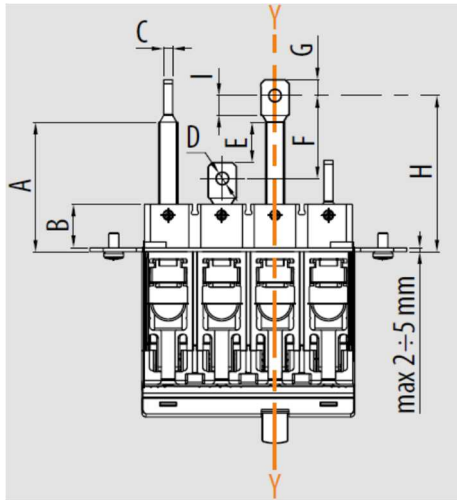


A	B	C	D
33	48,5	54,75	13

DPX³ 250 Electronic

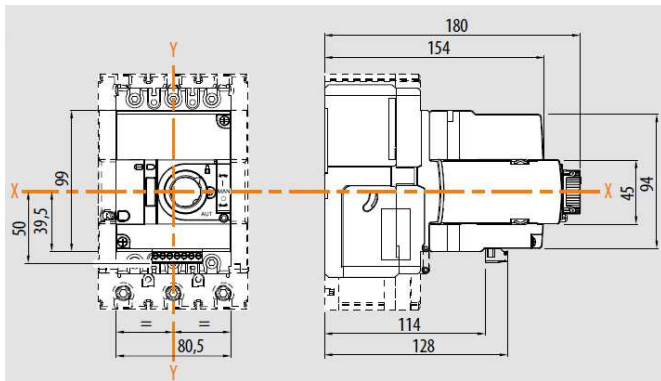
Reference(s): 420 302/ 305/ 307/ 309/ 312/ 315/ 317/ 319/ 332/ 335/ 337/ 339/ 342/ 345/ 347/ 349/
 362/ 365/ 367/ 369/ 372/ 375/ 377/ 379/ 635/ 637/ 638/ 639/ 645/ 647/ 648/ 649/ 502/ 505/ 507/ 509/
 512/ 515/ 517/ 519/ 522/ 525/ 527/ 529/ 532/ 535/ 537/ 539/ 542/ 545/ 547/ 549/ 552/ 555/ 557/ 559/
 692/ 695/ 697/ 699/ 702/ 705/ 707/ 709 /402/ 405/ 407/ 409/ 412/ 415/ 417/ 419/ 432/ 435/ 437/ 439/
 442/ 445/ 447/ 449/ 462/ 465/ 467/ 469/ 472/ 475/ 477/ 479/ 665/ 667/ 668/ 669/ 675/ 677/ 678/ 679

Fixed version, rear terminals

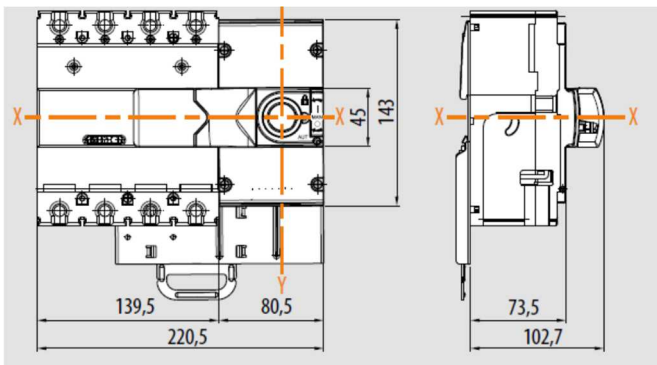


A	B	C	D	E	F	G	H	I
66,5	22	6	8,4	15,5	44	15	79	10

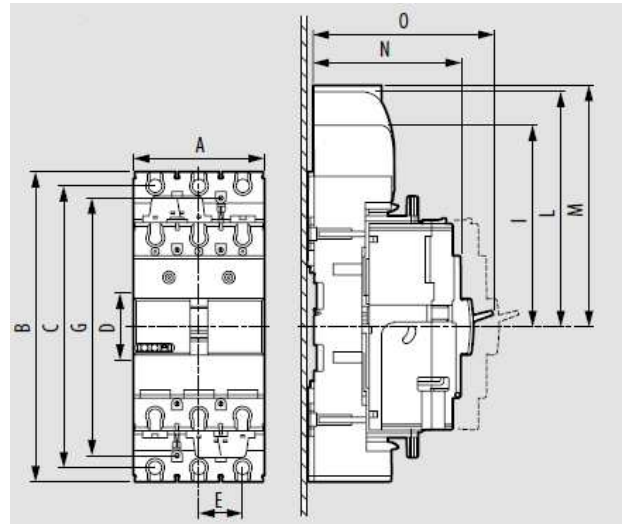
Fixed version, front motor operator



Fixed version, side motor operator



Plug-in version



	A	B	C	D	E	F	G	H	I	L	M	N	O
3P	105	248	225,5	45	35	103	206	150	180	217,5	-	122	148
4P	140	278	255,5	45	35	103	236	150	180	217,5	-	122	148

4. OVERVIEW

4.1 Supplied

Supplied with

- fixing screws
- connection plates for bars and cable lugs
- insulating shields (phase barrier)

4.2 Mounting possibilities

On plate:

- Vertical
- Horizontal
- Supply inverter type

On DIN rail:

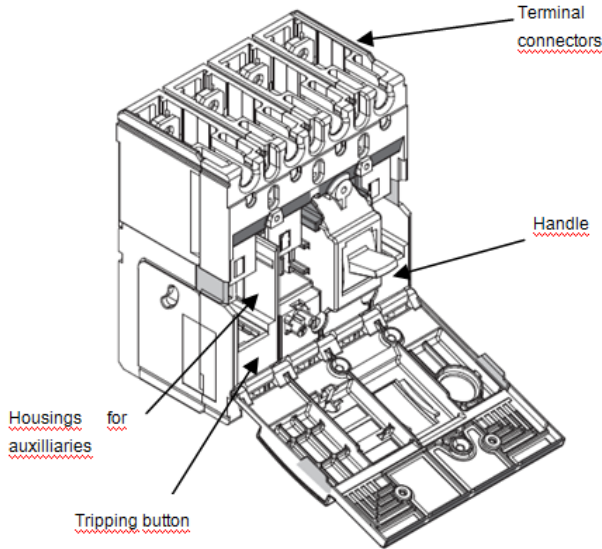
- Vertical
- Supply inverter type

DPX³ 250 Electronic

Reference(s): 420 302/ 305/ 307/ 309/ 312/ 315/ 317/ 319/ 332/ 335/ 337/ 339/ 342/ 345/ 347/ 349/ 362/ 365/ 367/ 369/ 372/ 375/ 377/ 379/ 635/ 637/ 638/ 639/ 645/ 647/ 648/ 649/ 502/ 505/ 507/ 509/ 512/ 515/ 517/ 519/ 522/ 525/ 527/ 529/ 532/ 535/ 537/ 539/ 542/ 545/ 547/ 549/ 552/ 555/ 557/ 559/ 692/ 695/ 697/ 699/ 702/ 705/ 707/ 709 /402/ 405/ 407/ 409/ 412/ 415/ 417/ 419/ 432/ 435/ 437/ 439/ 442/ 445/ 447/ 449/ 462/ 465/ 467/ 469/ 472/ 475/ 477/ 479/ 665/ 667/ 668/ 669/ 675/ 677/ 678/ 679

5. ELECTRICAL AND MECHANICAL CHARACTERISTICS

5.1 Main parts constituting the circuit breaker



Circuit Breaker	DPX ³ 250 (B/F/N/H) (25kA, 36kA, 50kA, 70kA)
Rated current (A)	40, 100, 160, 250
Poles	3 - 4
Rated insulation voltage U_i (V)	800
Rated operating voltage (50/60Hz) U_e (V)	690
Rated impulse withstand current U_{imp} (kV)	8
Rated frequency (Hz)	50 - 60
Reference ambient temperature (°C)	40 - 50
Operating temperature (°C)	-25 ÷ 70
Mechanical endurance (cycles)	20000
Mechanical endurance with motor control (cycles)	20000
Electrical endurance at I_n (cycles)	8000
Electrical endurance at 0.5 I_n (cycles)	10000
Utilization category	A
Suitable for isolation	Yes
Type of protection	Electronic
Magnetic adjustment	(1,5 - 10) x I_r
Thermal adjustment	(0,4 ÷ 1) x I_n
Neutral protection for 4P version (% I_n)	0-50-100-150-200
Dimensions (W x H x D) (mm) 3P	105 x 165 x 100
Dimensions (W x H x D) (mm) 4P	140 x 165 x 100
Weight (kg)	1.9(3P) - 2.3(4P)

5.2 Breaking capacity (kA)

		Breaking capacity (kA) & I_{cs}				
		3P-4P	3P-4P	3P-4P	3P-4P	
IEC 60947-2	U_e/I_{cu}	B	F	N	H	
	220/240 V AC	40	60	80	100	
	380/415 V AC	25	36	50	70	
	440/460 V AC	20	30	40	60	
	480/500 V AC	10	25	30	40	
	600 V AC	9	20	22	25	
	690V AC	8	16	18	20	
	I_{cs} (% I_{cu})	100	100	100	100	
	Rated making capacity under short circuit I_{cm}					
	I_{cm} (kA) at 415V	52.5	75.6	105	154	
NEMA AB-1	220/240 V AC	40	60	80	100	
	480/500 V AC	10	25	30	40	
	690V AC	8	16	18	20	

5.3 Rated current (I_n) at 40°C / 50°C

I_n (A)	Assigned current trip			
	thermal		magnetic	
	L1-L2-L3	N	L1-L2-L3	N
40	40	40	400	400
100	100	100	1000	1000
160	160	160	1600	1600
250	250	250	2500	2500

5.4 Power losses per pole under I_n

Circuit breaker

Lugs	Power losses per pole (W)			
	I_n (A)			
	40	100	160	250
	0.3	1.9	6.6	16.2

Values in the table are referred to single phase and they are misured with cold breaker (with hot breaker, increase of 10% must be considered)

5.5 Load operations

Loads operation	
Rated current (A)	$I_n = 250A$
Opening (N)	45
Closing (N)	78
Reset (N)	75

DPX³ 250 Electronic

Reference(s): 420 302/ 305/ 307/ 309/ 312/ 315/ 317/ 319/ 332/ 335/ 337/ 339/ 342/ 345/ 347/ 349/ 362/ 365/ 367/ 369/ 372/ 375/ 377/ 379/ 635/ 637/ 638/ 639/ 645/ 647/ 648/ 649/ 502/ 505/ 507/ 509/ 512/ 515/ 517/ 519/ 522/ 525/ 527/ 529/ 532/ 535/ 537/ 539/ 542/ 545/ 547/ 549/ 552/ 555/ 557/ 559/ 692/ 695/ 697/ 699/ 702/ 705/ 707/ 709 /402/ 405/ 407/ 409/ 412/ 415/ 417/ 419/ 432/ 435/ 437/ 439/ 442/ 445/ 447/ 449/ 462/ 465/ 467/ 469/ 472/ 475/ 477/ 479/ 665/ 667/ 668/ 669/ 675/ 677/ 678/ 679

5.6 Functioning in particular conditions

5.6.1 Temperature

I _n (A)	Temperature Ta (°C)			
	40	50	60	70
40	40	40	34	30
100	100	100	84	76
160	160	160	134	122
250	250	250	210	190

5.6.2 Altitude

Altitude (m)	2000	3000	4000	5000
U _e (V)	690	590	520	460
I _n (A) (T _a = 40°C/50°C)	I _n	0.98 x I _n	0.93 x I _n	0.9 x I _n

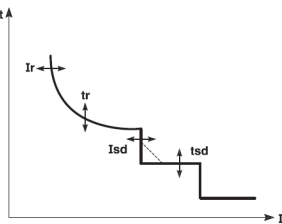
5.6.3 Use at 400 Hz

Not possible with electronic release.

5.5 ELECTRONIC RELEASES

5.5.2 Version S2 - Adjustment of I_r, T_r, I_{sd}, T_{sd}

LCD display with navigation and setting buttons, indication led, battery case and USB port



Long delay protection against overloads with an adjustable threshold bases on the RMS value of the current:

- I_r = 0.4 ÷ 1 I_n (steps 1A)
- T_r = 3 - 15s (3 - 5 - 10 - 15 3^{MEM} - 5^{MEM} - 10^{MEM} - 15^{MEM}) (8 steps) (*)

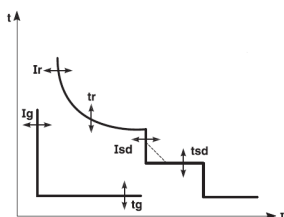
Short delay protection against short-circuits with an adjustable I_{sd} threshold:

- I_{sd} = 1.5 - 2 - 2.5 - 3 - 4 - 5 - 6 - 7 - 8 - 9 - 10 x I_r (11 steps)
- T_{sd} = 0 - 100ms - 200ms - 300ms - 400 ms - 500 ms (I = K)
- T_{sd} = 0 - 100ms - 200ms - 300ms - 400 ms - 500 ms (I²t = K) (**)

Instantaneous protection with fixed threshold I_{sf} = 3kA

5.5.2 Version Sg - Adjustment of I_r, T_r, I_{sd}, T_{sd}, I_g, T_g

LCD display with navigation and setting buttons, indication led, battery case and USB port.



Long delay protection against overloads with an adjustable threshold bases on the RMS value of the current:

- I_r = 0.4 ÷ 1 I_n (steps 1A)
- T_r = 3 - 15s (3 - 5 - 10 - 15 3^{MEM} - 5^{MEM} - 10^{MEM} - 15^{MEM}) (8 steps) (*)

Short delay protection against short-circuits with an adjustable I_{sd} threshold:

- I_{sd} = 1.5 - 2 - 2.5 - 3 - 4 - 5 - 6 - 7 - 8 - 9 - 10 x I_r (11 steps)
- T_{sd} = 0 - 100ms - 200ms - 300ms - 400 ms - 500 ms (I = K)
- T_{sd} = 0 - 100ms - 200ms - 300ms - 400 ms - 500 ms (I²t = K) (**)

Instantaneous protection with fixed threshold I_i = 5kA

Measure of ground fault:

- I_g : 0.2 - 0.3 - 0.4 - 0.5 - 0.6 - 0.7 - 0.8 - 1 x I_n (9 steps) and OFF
- T_g : 0.1 - 0.2 - 0.3 - 0.4 - 0.5 - 1 s

(*) @ 6 I_r

(**) @ 12 I_r

5.5.3 Version S2 with measure

In the electronic unit protection, an energy metering central unit is integrated.

The possible parameters that can be measured are listed in the following table:

MEASURED	UNIT	DESCRIPTION
I1	A	L1 realtime measured value
I2	A	L2 realtime measured value
I3	A	L3 realtime measured value
IN (4P)	A	N realtime measured value
IG	A	G realtime measured value
U12 U23 U31 (3P)	V	Phase to Phase Voltage
V1N V2N V3N (4P)	V	Voltage
Freq.	Hz	Frequency
PTot	kW	Active Power
QTot	kvar	Reactive Power
PF		Power Factor
Ep ↓	kWh	Consumed active energy
Ep ↑	kWh	Returned active energy
Eq ↓	kvar h	Consumed reactive energy
Eq ↑	kvar h	Returned reactive energy
THDU12/THDU23/THDU31 (3P)	%	Chained Voltage THD
THDV1N/THDV2N/THDV3N (4P)	%	Voltage THD
THDI1/THDI2/THDI3/THDIN	%	Current THD
MEM	A	Measured value of last intervention

DPX³ 250 Electronic

Reference(s): 420 302/ 305/ 307/ 309/ 312/ 315/ 317/ 319/ 332/ 335/ 337/ 339/ 342/ 345/ 347/ 349/ 362/ 365/ 367/ 369/ 372/ 375/ 377/ 379/ 635/ 637/ 638/ 639/ 645/ 647/ 648/ 649/ 502/ 505/ 507/ 509/ 512/ 515/ 517/ 519/ 522/ 525/ 527/ 529/ 532/ 535/ 537/ 539/ 542/ 545/ 547/ 549/ 552/ 555/ 557/ 559/ 692/ 695/ 697/ 699/ 702/ 705/ 707/ 709 /402/ 405/ 407/ 409/ 412/ 415/ 417/ 419/ 432/ 435/ 437/ 439/ 442/ 445/ 447/ 449/ 462/ 465/ 467/ 469/ 472/ 475/ 477/ 479/ 665/ 667/ 668/ 669/ 675/ 677/ 678/ 679

6. CONFORMITY

DPX³ range of product concerning circuit-breakers and switch-disconnectors are in full compliance with the EN/IEC standard 60947-2 and 60947-3 respectively.

The certificate are issued by LOVAG and/or by IECEE CB-scheme certification scheme.

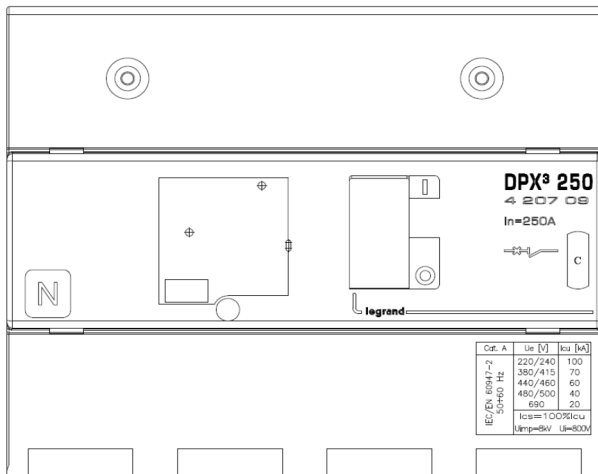
All the product range are CE, CCC, EAC, ANCE marked.

DMX³ are full in compliance with the Shipping Register of Lloyds, RINA, Bureau Veritas, Germanische Lloyds, Norske Veritas and ABS.

" Tropical climate" :

- execution II (all climates) according to IEC 60947-1 Annex Q, Cat. F.

6.1 Marking



7. EQUIPMENTS AND ACCESSORIES

7.1 Releases

- Shunt releases

12 V ac/dc	ref. 4 210 12
24 V ac/dc	ref. 4 210 13
48 V ac/dc	ref. 4 210 14
110-130 V ac	ref. 4 210 15
200-277 V ac	ref. 4 210 16
380-480 V ac	ref. 4 210 17

Maximum power = 400 VA / W

- Undervoltage releases

12 V ac/dc	ref. 4 210 18
24 V ac/dc	ref. 4 210 19
48 V ac/dc	ref. 4 210 20
110-130 V ac/dc	ref. 4 210 21
200-240 V ac	ref. 4 210 22
277 V ac	ref. 4 210 23
380-415 V ac	ref. 4 210 24
440-480 V ac	ref. 4 210 25

Maximum power = 4 VA

Circuit breaker opening time < 50 ms

- Time-lag undervoltage releases (800ms)

Time-lag modules with voltage:

230 V ac	ref. 0 261 90
400 V ac	ref. 0 261 91

Release:

To be equipped with a time-lag module ref. 4 210 98

7.2 Auxiliary contact

set of connectors for aux contacts	ref. 4 210 44
aux contacts (1NC and 1 NO) for all rotary handles	ref. 4 210 10
signalling contact plugged-in version	ref. 4 210 48
Changeover switch 3A – 250 VAC	ref. 4 210 11

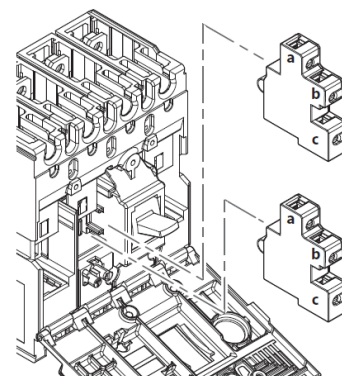
To show the state of the contacts or opening of the DPX³ on a fault:

Auxiliary contact (standard) **OC**
Fault signal **CTR**

Auxiliary contact		
Nominal voltage (V _n)	V (AC or DC)	24 to 250
Intensity (A)	24 V DC	5
	48 V DC	1.7
	110 V DC	0.5
	230 V DC	0.25
	110 V AC	4
	230/250 V AC	3

Configurations:

DPX³ 250 → 1 auxiliary contact + 1 fault signal



DPX³ 250 Electronic

Reference(s): 420 302/ 305/ 307/ 309/ 312/ 315/ 317/ 319/ 332/ 335/ 337/ 339/ 342/ 345/ 347/ 349/ 362/ 365/ 367/ 369/ 372/ 375/ 377/ 379/ 635/ 637/ 638/ 639/ 645/ 647/ 648/ 649/ 502/ 505/ 507/ 509/ 512/ 515/ 517/ 519/ 522/ 525/ 527/ 529/ 532/ 535/ 537/ 539/ 542/ 545/ 547/ 549/ 552/ 555/ 557/ 559/ 692/ 695/ 697/ 699/ 702/ 705/ 707/ 709 /402/ 405/ 407/ 409/ 412/ 415/ 417/ 419/ 432/ 435/ 437/ 439/ 442/ 445/ 447/ 449/ 462/ 465/ 467/ 469/ 472/ 475/ 477/ 479/ 665/ 667/ 668/ 669/ 675/ 677/ 678/ 679

7.3 Rotary handles

Direct

- DPX³ direct rotary handle ref. 4 210 00
- DPX³ emergency direct rotary handle ref. 4 210 02

Vari-depth handle IP55

- DPX³ vari depth rotary handle ref. 4 210 04
- DPX³ emergency vari depth rotary handle ref. 4 210 05

Locking accessories

- Ronis type flat key random for direct rotary handle ref. 4 210 06
- Profalux type star key random for direct rotary handle ref. 4 210 07
- Ronis type flat key random for vari-depth handle ref. 4 210 08
- Profalux type star key random for vari-depth handle ref. 4 210 09
- Ronis type flat key (cod. EL43525) for direct rotary handle ref. 4 228 00
- Ronis type flat key (cod. EL43363) for direct rotary handle ref. 4 228 01
- Ronis type flat key (cod. EL43525) for vari-depth handle ref. 4 228 02
- Ronis type flat key (cod. EL43363) for vari-depth handle ref. 4 228 03

7.4 Mechanical accessories

Insulated shields (phase barriers)

- Set of 36 ref. 4 210 70

Sealable terminal shields

- sealable terminal shield for rear terminals 3P ref. 4 210 52
- sealable terminal shield for rear terminals 4P ref. 4 210 53
- sealable terminal shield for front spreaders 3P ref. 4 210 56
- sealable terminal shield for front spreaders 4P ref. 4 210 57

Padlocks

- DPX³ padlock accessory for handle ("open" position) ref. 4 210 49

Interlock

- DPX³ interlock for fixed version ref. 4 210 58
- DPX³ interlock for plug-in / draw-out version ref. 4 210 59

7.5 Connection accessories

Cage terminals

- terminals for Cu/Al cables kit (3P) - flex 1x120mm², rigid 1x150mm², lugs 28.5 x 8 x 8.5mm ref. 4 210 30
- terminals for Cu/Al cables kit (4P) - flex 1x120mm², rigid 1x150mm², lugs 28.5 x 8 x 8.5mm ref. 4 210 31
- screw terminals for bar connections (3P) ref. 4 210 79
- screw terminals for bar connections (4P) ref. 4 210 80

Front spreaders

- DPX³ front spreaders for 3P DPX³ 250 (set of 3) ref. 4 210 34
- DPX³ front spreaders for 4P DPX³ 250 (set of 4) ref. 4 210 35

Rear terminals

- DPX³ flat rear terminals for 3P DPX³ 250 (set of 3) ref. 4 210 38
- DPX³ flat rear terminals for 4P DPX³ 250 (set of 4) ref. 4 210 39

7.6 Plug-in version

Bases

- front/rear terminals plug-in base 3P DPX³ 250 ref. 4 210 42
- front/rear terminals plug-in base 4P (with or without earth leakage module) ref. 4 210 43

Locking accessories

- Ronis type flat key (cod. ABA90GEL6149) for plug-in base ref. 4 210 45
- Profalux type star key (cod. HBA90GPS6149) for plug-in base ref. 4 210 46
- padlock accessory for plug-in base ref. 4 210 47

7.7 Motor operator

- side motor operator 24-230 Vac/dc ref. 4 210 60
- front motor operator 24-230 Vac/dc ref. 4 210 61

Locking accessories for front motor operator

- Ronis type flat key (cod. ABA90GEL6149) for front motor operator ref. 4 210 62
- Profalux type flat key (cod. HBA90GPS6149) for front motor operator ref. 4 210 63
- padlock selector for front motor operator ref. 4 210 64

Locking accessories for side motor operator

- Ronis type flat key (cod. ABA90GEL6149) for side motor operator ref. 4 210 65
- Profalux type flat key (cod. HBA90GPS6149) for side motor operator ref. 4 210 66
- padlock selector for side motor operator ref. 4 210 67

7.8 Mounting on rail fixing plate

- DPX³ 250 3P/4P without earth leakage module ref. 4 210 72
- DPX³ 160 3P/4P with side mounting motor operator ref. 4 210 69

7.9 Spare parts

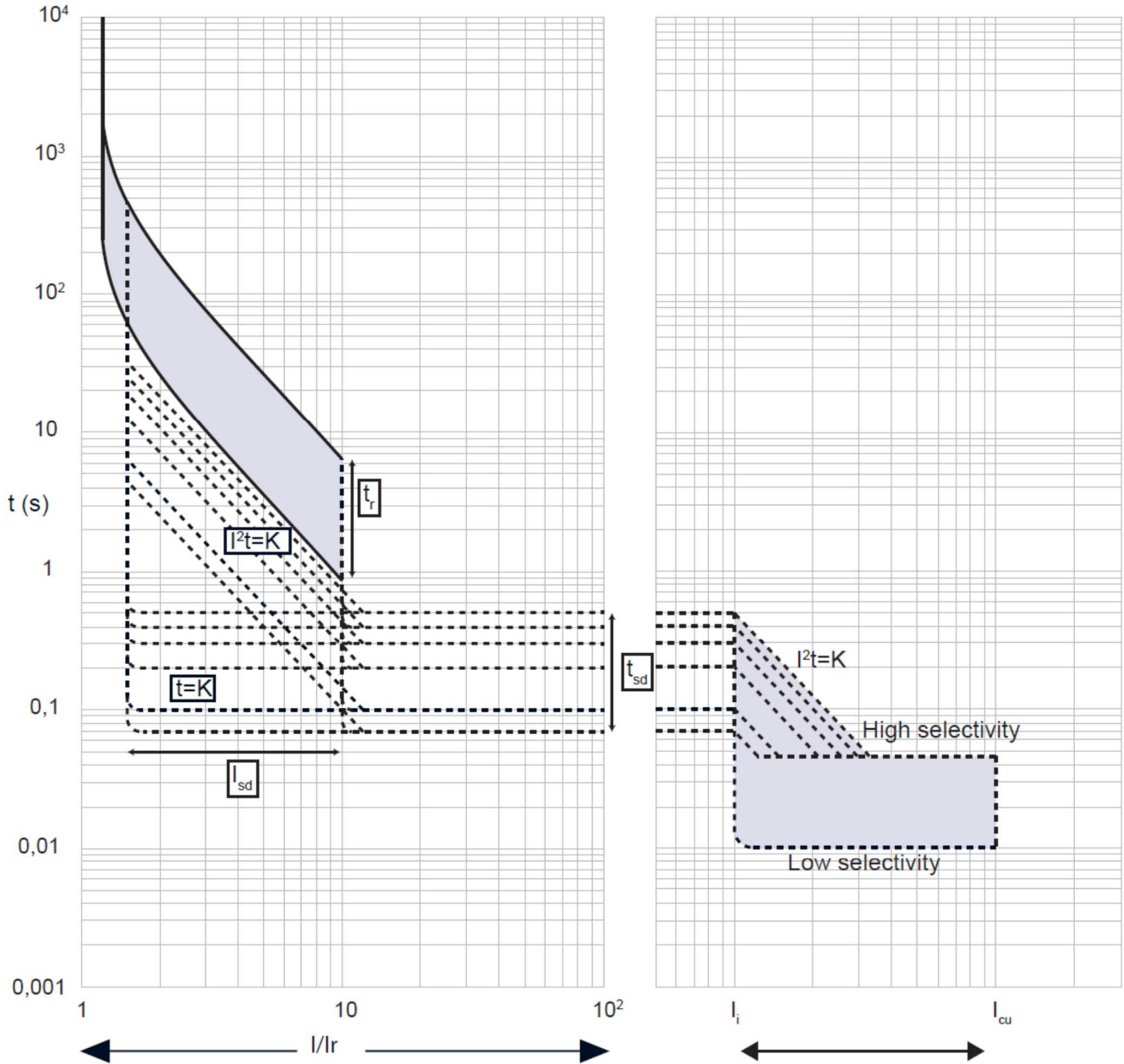
- Fixing screws (set of 4) for plate installation ref. 4 210 81
- Battery kit (batteries + extractor) for 1 breaker ref. 4 210 82
- Fixing screws (set of 12) for DIN installation ref. 4 210 84
- Mini USB cap (for 20 device) - light grey colour ref. 4 210 89
- Plug-in base kit (for 1 breaker 3P or 4P) ref. 4 210 91
- Compact terminal shields 4P (set of 2) ref. 4 210 97
- Generic seals kit (for 4x seal kit) ref. 4 210 95

DPX³ 250 Electronic

Reference(s): 420/302/305/307/309/312/315/317/319/332/335/337/339/342/345/347/349/
 362/365/367/369/372/375/377/379/635/637/638/639/645/647/648/649/502/505/507/509/
 512/515/517/519/522/525/527/529/532/535/537/539/542/545/547/549/552/555/557/559/
 692/695/697/699/702/705/707/709/402/405/407/409/412/415/417/419/432/435/437/439/
 442/445/447/449/462/465/467/469/472/475/477/479/665/667/668/669/675/677/678/679

8. CURVES

8.1 Thermal magnetic tripping curve



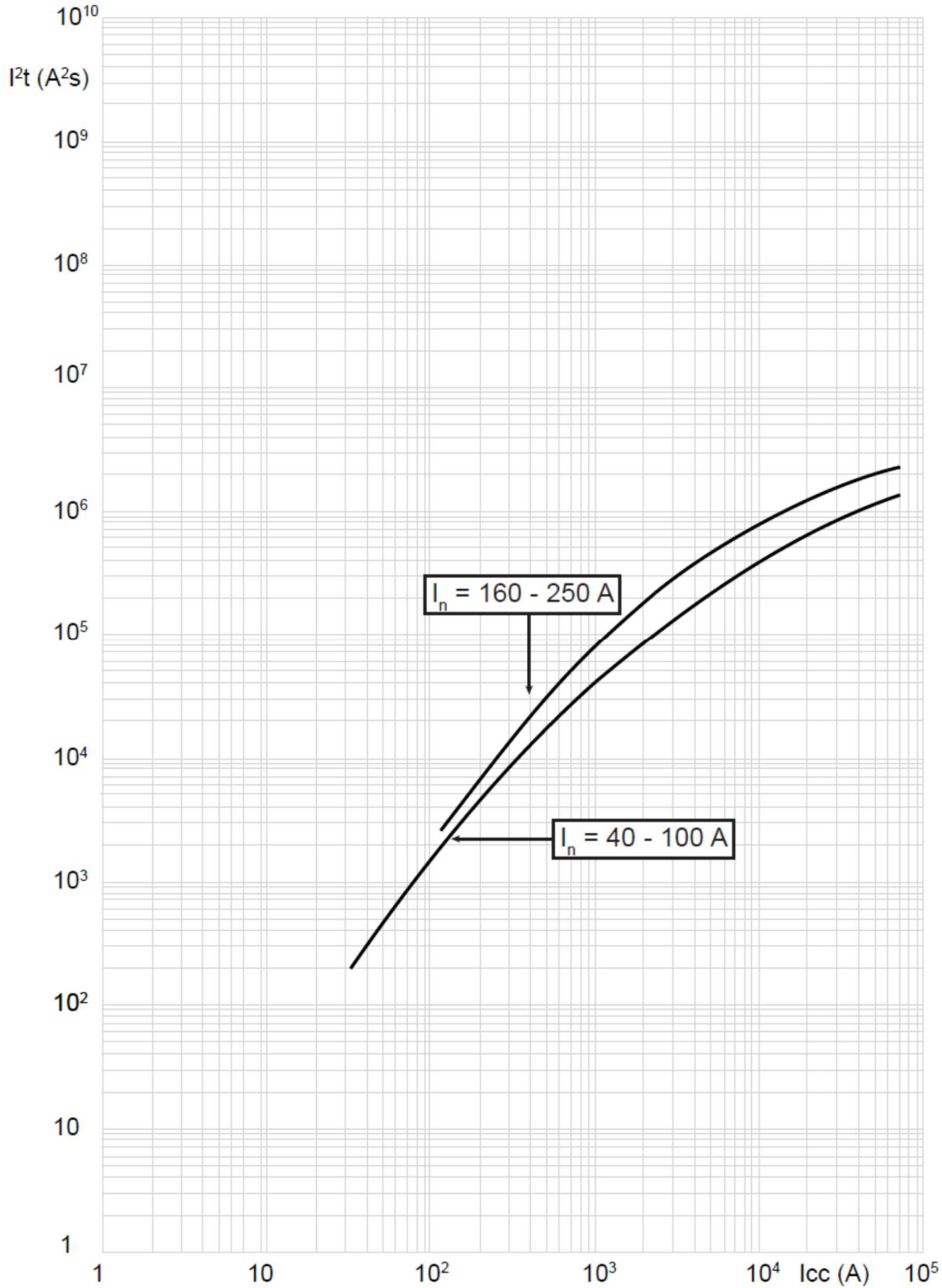
$I_{cu} = 25-36-50-70 \text{ kA}$ $I_{max} = 250 \text{ A}$ 3-4 P $U_e = 415 \text{ Vac}$

Value	Description
t	time
I	current
I_n	rated current
I_r	long time setting current
curve 1	characteristic with cold start
curve 2	characteristic with hot start

DPX³ 250 Electronic

Reference(s): 420 302/ 305/ 307/ 309/ 312/ 315/ 317/ 319/ 332/ 335/ 337/ 339/ 342/ 345/ 347/ 349/
 362/ 365/ 367/ 369/ 372/ 375/ 377/ 379/ 635/ 637/ 638/ 639/ 645/ 647/ 648/ 649/ 502/ 505/ 507/ 509/
 512/ 515/ 517/ 519/ 522/ 525/ 527/ 529/ 532/ 535/ 537/ 539/ 542/ 545/ 547/ 549/ 552/ 555/ 557/ 559/
 692/ 695/ 697/ 699/ 702/ 705/ 707/ 709 /402/ 405/ 407/ 409/ 412/ 415/ 417/ 419/ 432/ 435/ 437/ 439/
 442/ 445/ 447/ 449/ 462/ 465/ 467/ 469/ 472/ 475/ 477/ 479/ 665/ 667/ 668/ 669/ 675/ 677/ 678/ 679

8.2 Pass-through specific energy characteristic curve



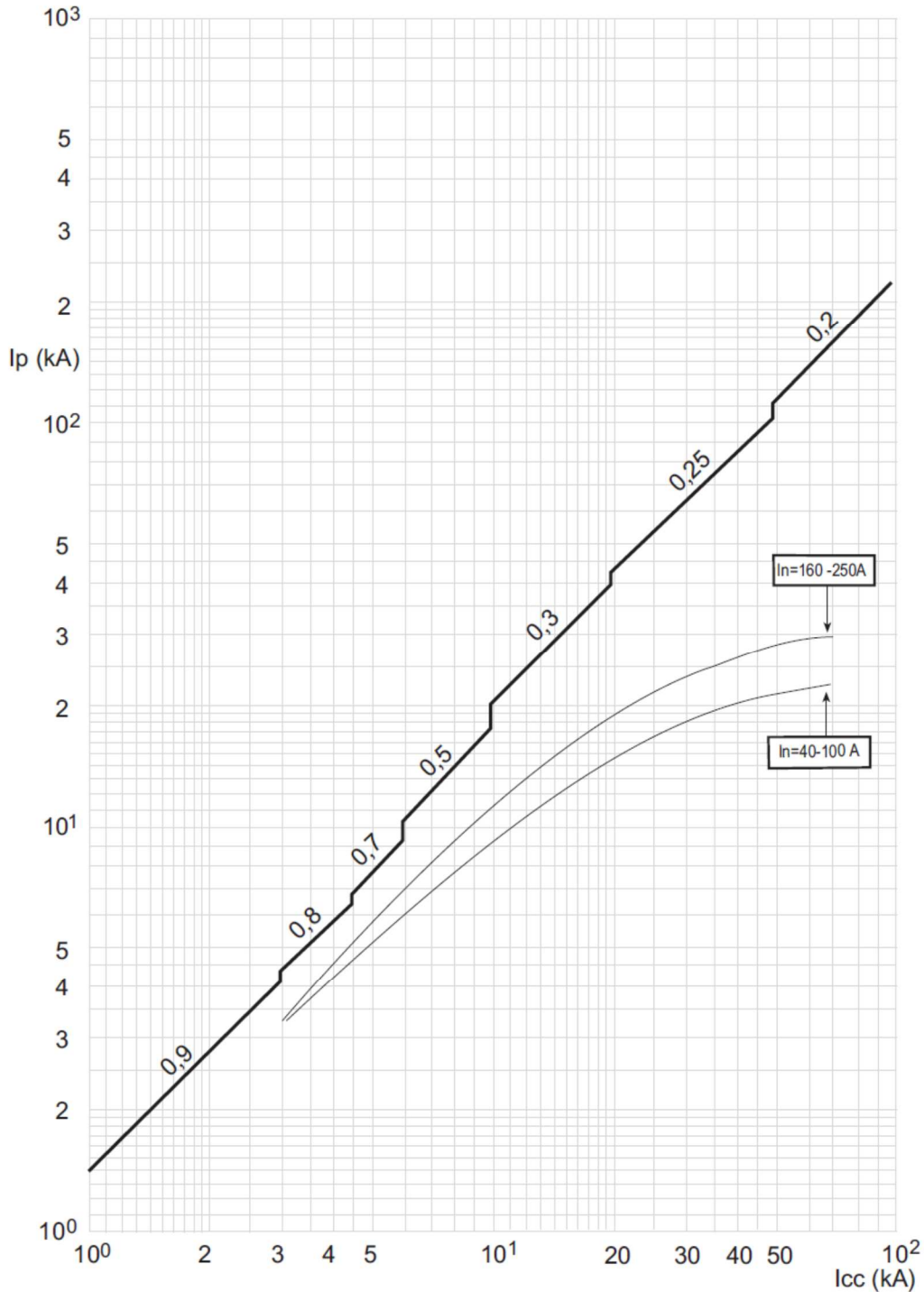
$I_{cu} = 25-36-50-70 kA$ $I_{max} = 250A$ 3-4 P $U_o = 415Vac$

Value	Description
I_{cc}	short circuit current
$I^2t (A^2s)$	pass-through specific energy

DPX³ 250 Electronic

Reference(s): 420 302/ 305/ 307/ 309/ 312/ 315/ 317/ 319/ 332/ 335/ 337/ 339/ 342/ 345/ 347/ 349/
 362/ 365/ 367/ 369/ 372/ 375/ 377/ 379/ 635/ 637/ 638/ 639/ 645/ 647/ 648/ 649/ 502/ 505/ 507/ 509/
 512/ 515/ 517/ 519/ 522/ 525/ 527/ 529/ 532/ 535/ 537/ 539/ 542/ 545/ 547/ 549/ 552/ 555/ 557/ 559/
 692/ 695/ 697/ 699/ 702/ 705/ 707/ 709 /402/ 405/ 407/ 409/ 412/ 415/ 417/ 419/ 432/ 435/ 437/ 439/
 442/ 445/ 447/ 449/ 462/ 465/ 467/ 469/ 472/ 475/ 477/ 479/ 665/ 667/ 668/ 669/ 675/ 677/ 678/ 679

8.3 Cut-off peak current characteristic curve (kA)



$I_{cu} = 25-36-50-70 \text{ kA}$ $I_{max} = 250A$ 3-4 P $U_o = 415Vac$

Value	Description
I_{cc}	estimated short circuit symmetrical current (RMS value)
I_p	maximum short circuit peak current
—	maximum prospective short circuit peak current corresponding at the power factor
—	maximum real peak short circuit current

DPX³ 250 Electronic

Reference(s): 420 302/ 305/ 307/ 309/ 312/ 315/ 317/ 319/ 332/ 335/ 337/ 339/ 342/ 345/ 347/ 349/ 362/ 365/ 367/ 369/ 372/ 375/ 377/ 379/ 635/ 637/ 638/ 639/ 645/ 647/ 648/ 649/ 502/ 505/ 507/ 509/ 512/ 515/ 517/ 519/ 522/ 525/ 527/ 529/ 532/ 535/ 537/ 539/ 542/ 545/ 547/ 549/ 552/ 555/ 557/ 559/ 692/ 695/ 697/ 699/ 702/ 705/ 707/ 709 /402/ 405/ 407/ 409/ 412/ 415/ 417/ 419/ 432/ 435/ 437/ 439/ 442/ 445/ 447/ 449/ 462/ 465/ 467/ 469/ 472/ 475/ 477/ 479/ 665/ 667/ 668/ 669/ 675/ 677/ 678/ 679

A) Derating Temperature and configurations

		Ambient temperature									
		30 °C		40 °C		50 °C		60 °C		70 °C	
Fixed version		I _{max} (A)	I _r / I _n	I _{max} (A)	I _r / I _n	I _{max} (A)	I _r / I _n	I _{max} (A)	I _r / I _n	I _{max} (A)	I _r / I _n
DPX ³ 250 fixed	Cage terminals, flexible cable, vertical	250	1	250	1	250	1	250	1	225	0.9
	Cage terminals, flexible cable + horizontal	0	0	0	0	0	0	0	0	0	0
	Cage terminals, flexible cable + sealable terminal shields	0	0	0	0	0	0	0	0	0	0
	Cage terminals, rigid cable	0	0	0	0	0	0	0	0	0	0
	Lugs, flexible cable	0	0	0	0	0	0	0	0	0	0
	Lugs, rigid cable	0	0	0	0	0	0	0	0	0	0
	Spreaders, flexible cable	0	0	0	0	0	0	0	0	0	0
	Spreaders, rigid cable	0	0	0	0	0	0	0	0	0	0
	Rear flat staggered terminals, flexible cable	0	0	0	0	0	0	0	0	0	0
	Rear flat staggered terminals, rigid cable	0	0	0	0	0	0	0	0	0	0