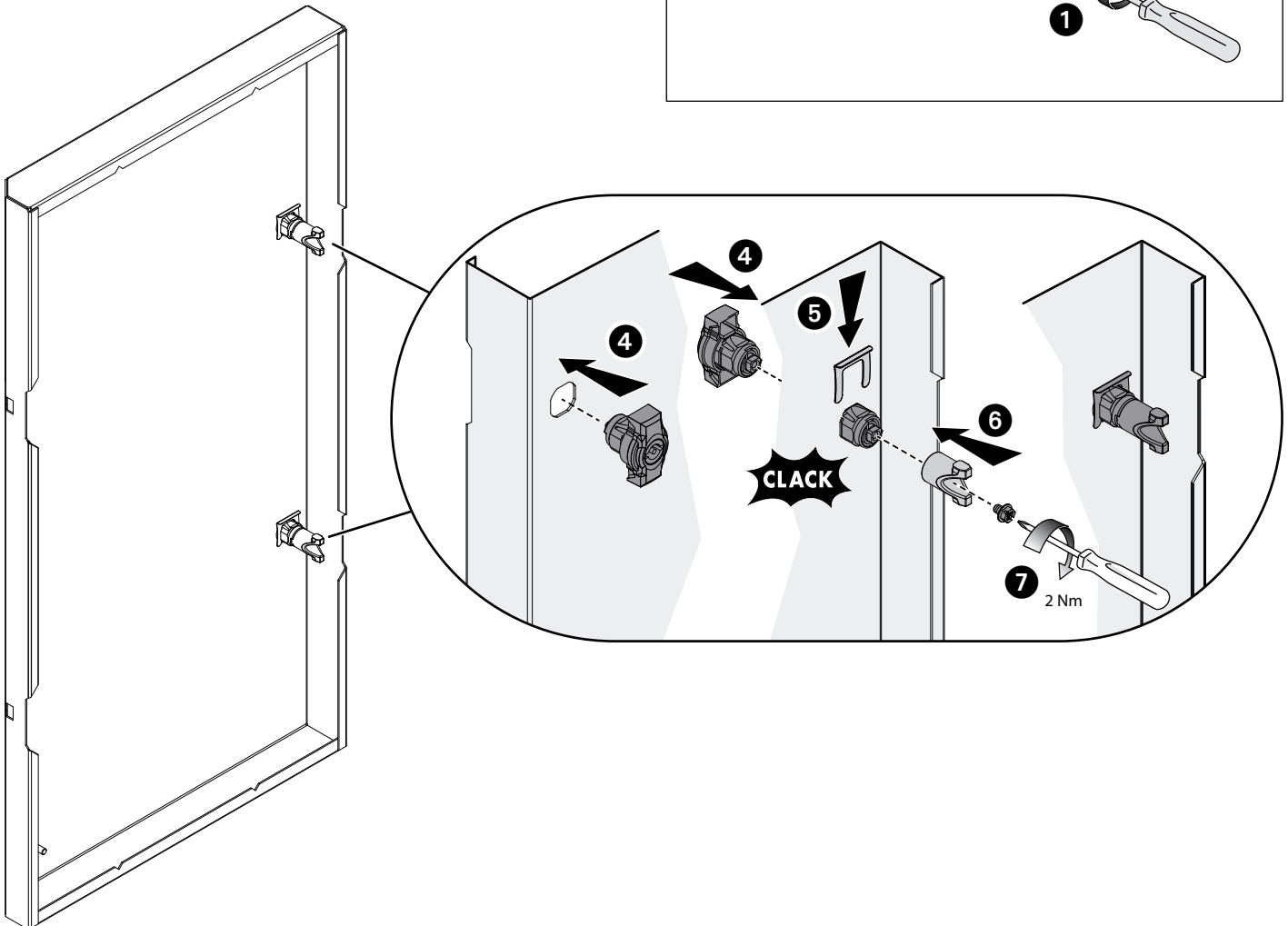
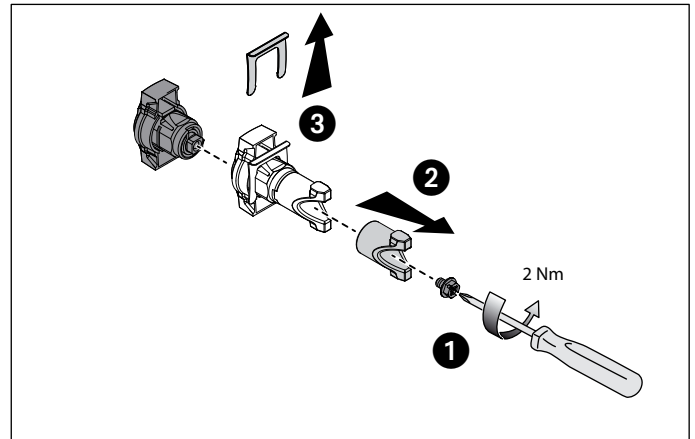
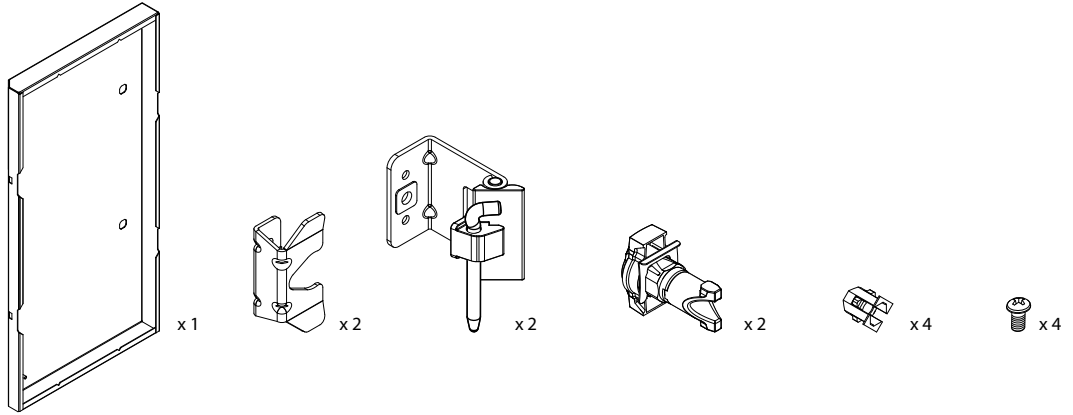
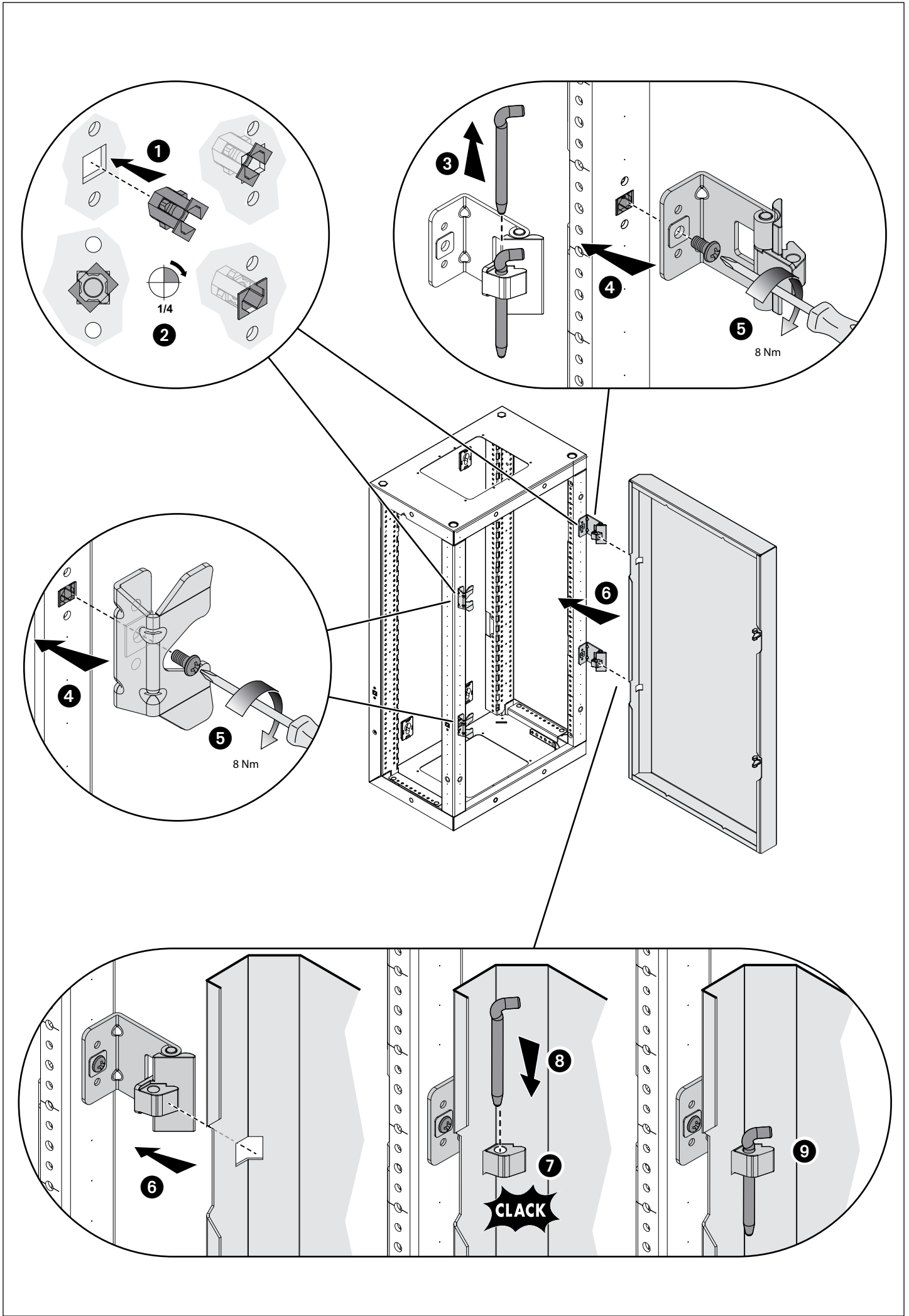
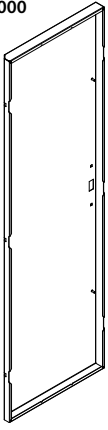


XL<sup>3</sup>-S 630





XL<sup>3</sup>-S 4000



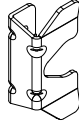
x1



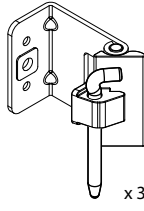
x2



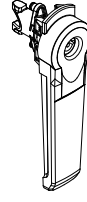
x2



x3



x3



x1



x1



x6



x6

