

SFERA NEW - SFERA ROBUR Display module

352500

Description

Graphic display module to be used with speaker module 351100 or with audio/video modules 351200 – 351300 (connection using the multicable supplied). It can operate in two modes: call from address book, or digital call. The call from the address book gives the possibility of sending the call by scrolling on the display the names associated to the residents. It is possible to store up to 4000 residents names. Using the keypad module item 353000 it is also possible to directly call the apartment by entering the number corresponding to the resident. The digital call is also performed using the keypad module item 353000 by entering the numerical code. It is recommended that one or more nameplate modules, item 352200, are installed at the side of the pushbutton panel to display the correspondence between the numerical codes and the names of the users. It is possible to program the names in the address book in two different ways: manual inclusion using the pushbuttons of the display module or inclusion using a PC with the specific software, which can be downloaded free of charge from www.homesystems-legrandgroup.com, by downloading the file to the display module (RECOMMENDED). System power supply cuts do not cause the loss of memory data.

To be completed with surround plate.

The device **MUST NOT** be configured.

Only for the French market: the device can be integrated in Vigik access control systems.

In this case it is possible to program and manage the following data using devices for the management of the access control system: entries in the residents address book and direct call codes.

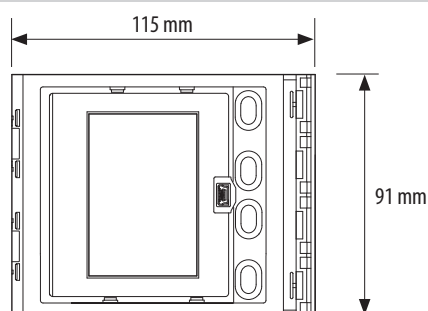
Related items

352501	Sfera New display front cover - Allmetal (IK 08)
352502	Sfera New display front cover - Allwhite (IK 08)
352503	Sfera New display front cover - Allstreet (IK 08)
352505	Sfera Robur display front cover - (IK 09)

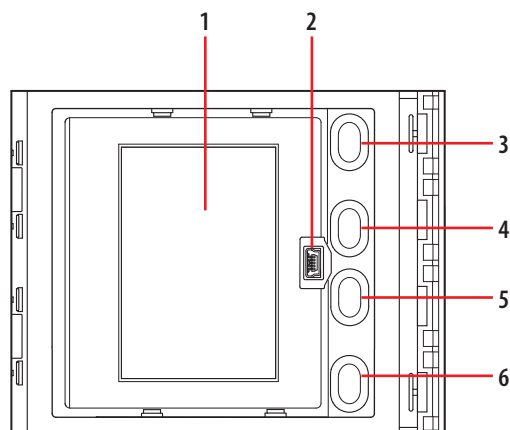
Technical data

Power supply from SCS BUS:	18 - 27 Vdc
Stand by absorption:	40 mA
Max. operating absorption:	50 mA
Display type:	Negative transfective FSTN
Display resolution:	160 x 240
Operating temperature:	(-25) – (+70)°C
Protection index (pushbutton panel assembled):	IP 54

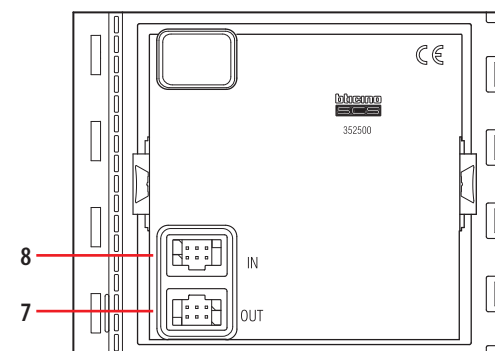
Dimensional data



Front view



Rear view



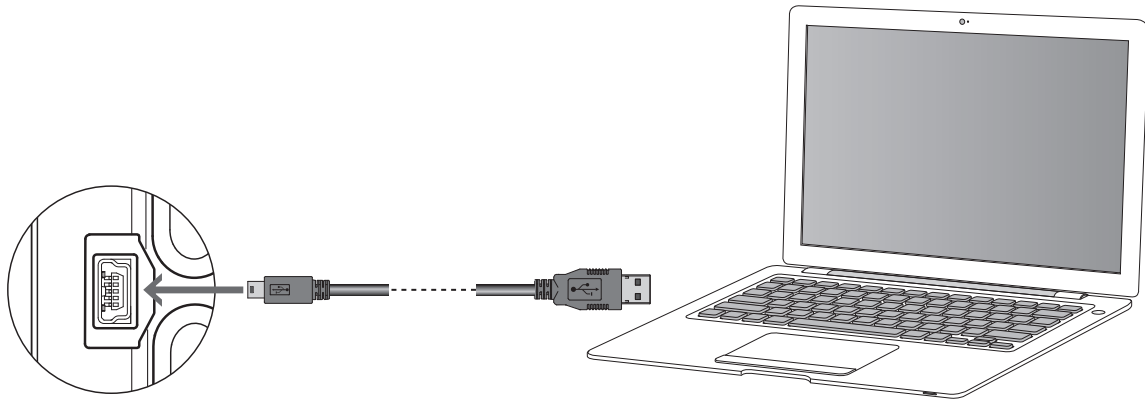
Legend

1. Graphic display
2. Mini-USB connector for the connection to the PC : programming of residents address book and device firmware update
3. Residents names scroll pushbutton (UP)
4. Residents names scroll pushbutton (DOWN)
5. Confirmation pushbutton – send call (OK)
6. Quick scroll pushbutton
7. Connector for the connection to subsequent modules
8. Connector for the connection to previous modules

Connection to the PC

It is possible to program the residents address book and update the device Firmware using a PC and the specific software, which can be downloaded free of charge from the site: www.homesystems-legrandgroup.com.
For the connection to the PC use a USB - mini USB cable.

The presence of the mini USB connection of the front of the module gives the possibility of performing these operations without the need to disassemble the device.



Nota de instalación

Se pueden modificar las imágenes del salvapantallas que aparecen en el display para combinarlas con el uso y el acabado elegido.

La elección se realiza en la fase de instalación en el menú de configuración.

Se puede elegir entre las siguientes opciones:

- Agenda Robur (llamada alfabética desde el display con estética Robur)
- Agenda New (llamada alfabética desde el display con estética New)
- Clave Robur (llamada numérica desde el display con estética Robur)
- Clave New (llamada numérica desde el display con estética New)