

SFERA NEW - SFERA ROBUR
Basic speaker module

351000

Description

Basic speaker module for the creation of 2 WIRE audio systems. Fitted with loudspeaker and microphone volume adjustment.

It manages up to 100 pushbutton calls using additional double row pushbuttons.

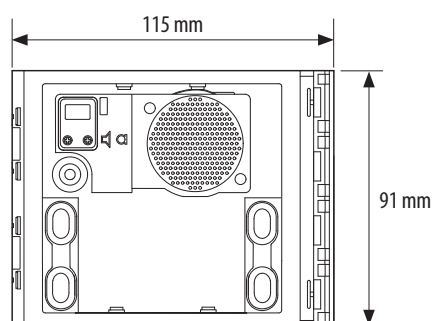
It can be used for opening an electrical door lock directly connected to the S+ and S- clamps (18 V 4 A impulsive - 250 mA holding current 30 Ohm max) and the connection to a local door lock release pushbutton on the PL clamps. To be completed with surround plate. The device must be physically configured.

Related items

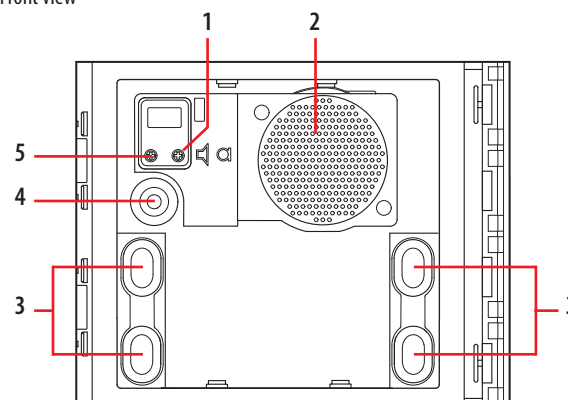
351001	Sfera New speaker module front cover - Allmetal (IK 08)
351002	Sfera New speaker module front cover - Allwhite (IK 08)
351003	Sfera New speaker module front cover - Allstreet (IK 08)
351011	Sfera New speaker module front cover, 1 pushbutton - Allmetal (IK 08)
351012	Sfera New speaker module front cover, 1 pushbutton - Allwhite (IK 08)
351013	Sfera New speaker module front cover, 1 pushbutton - Allstreet (IK 08)
351021	Sfera New speaker module front cover, 2 pushbuttons - Allmetal (IK 08)
351022	Sfera New speaker module front cover, 2 pushbuttons - Allwhite (IK 08)
351023	Sfera New speaker module front cover, 2 pushbuttons - Allstreet (IK 08)
351041	Sfera New speaker module f/cover, 2 pushbuttons on double column - Allmetal (IK 08)
351042	Sfera New speaker module f/cover, 2 pushbuttons on double column - Allwhite (IK 08)
351043	Sfera New speaker module f/cover, 2 pushbuttons on double column - Allstreet (IK 08)
351081	Sfera New speaker module f/cover, 4 pushbuttons on double column - Allmetal (IK 08)
351082	Sfera New speaker module f/cover, 4 pushbuttons on double column - Allwhite (IK 08)
351083	Sfera New speaker module f/cover, 4 pushbuttons on double column - Allstreet (IK 08)
351005	Sfera Robur speaker module front cover (IK 10)
351015	Sfera Robur speaker module front cover, 1 pushbutton (IK 10)
351025	Sfera Robur speaker module front cover, 2 pushbuttons (IK 10)
51045	Sfera Robur speaker module front cover, 2 pushbuttons on double column (IK 10)
351085	Sfera Robur speaker module front cover, 4 pushbuttons on double column (IK 10)

Technical data

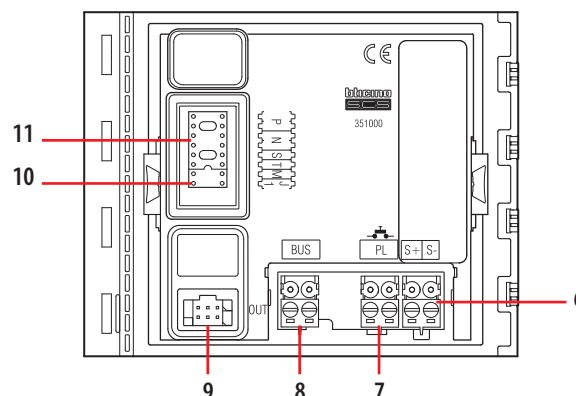
Power supply from SCS BUS:	18 – 27 Vdc
Stand by absorption:	15 mA
Max. operating absorption:	65 mA
Operating temperature:	(-25) – (+70) °C
Protection index (pushbutton panel assembled):	IP 54

Dimensional data


Front view



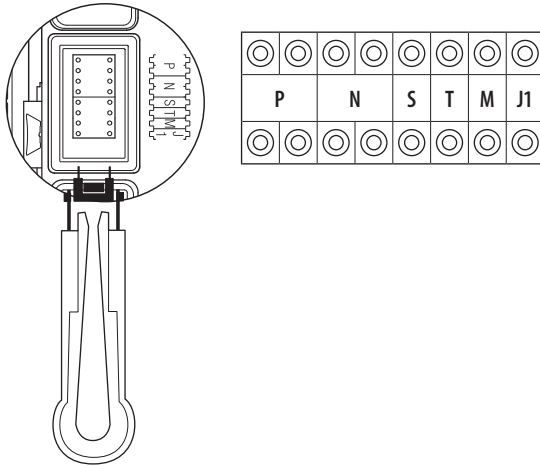
Rear view


Legend

1. Microphone volume adjustment
2. Loudspeaker
3. Call pushbuttons
4. Microphone
5. Loudspeaker volume adjustment
6. Plug-in clamps for the connection and control of the electrical door lock (18 V 4 A impulsive 250 mA holding current 30 ohm max)
7. Plug-in clamps for the connection of the local door lock release pushbutton
8. Plug-in clamps for 2 WIRE SCS/BUS connection
9. Connector for the connection to subsequent pushbutton modules
10. Jumper J1: when connected it enables the right pushbutton column. When disconnected it enables the left pushbutton column
11. Configurator socket

Configuration

The device must be configured with physical configurator connection to the appropriate sockets as follows:



P - entrance panel number

The configurator in socket P of the speaker module assigns to this a recognition number inside the system. The numbering of the entrance panels must always start from P=0. The entrance panel configured with P=0 must be a common (or main) entrance panel.

N - call number

Assigns the correspondence between the entrance panel pushbuttons and the audio handsets or video handsets.

In common entrance panels made using pushbutton modules, 1 must be inserted in N of the speaker module. The number of the first riser handset must be inserted in the local entrance panels.

S - type of call signal

The configuration of S determines the call tone of handsets. One can thus differentiate the calls from different entrance panels.

For the Classe 100 and Classe 300 handsets, S associates the entrance panel to the bell programmed in the handset. It is possible to chose between 16 different preset bells.

For the SPRINT L2 handsets, S sets the call ringtone, according to the following table:

Configurator	0	1	2	3
Type of bell	2-tone	2-tone	2-tone	One-tone
	1200 Hz	1200 Hz	1200 Hz	1200 Hz
	600 Hz	0 Hz	2400 Hz	

In one-family systems S=9 to configure the general call.

T - door lock relay timing

Configurator	0 = no configurator	1	2	3	4*	5	6	7
	4 sec.	1 sec	2 sec	3 sec	as pushbutt.	6 sec	8 sec	10 sec

* Operation as pushbutton for 10 sec. max after which it goes in stand-by. In order to extend this type of operation over 10 seconds, use the actuator, item 346210 configured with MOD = 5.

M - enabling/disabling of call tones and door lock release tones

The M configurations gives the possibility of managing the entrance panel call and door lock release tones according to the following table:

Configurator	0	1	2	3
Tone status	All tones enabled	Door lock tone disabled	Call tone disabled	All tones disabled

J1 - activation of call pushbutton columns

The J1 configurator gives the possibility of managing the Call pushbuttons of the speaker module as follows:

J1 CONNECTED = Only the right pushbutton column is enabled

J1 DISCONNECTED = Both pushbutton columns are enabled (right + left)