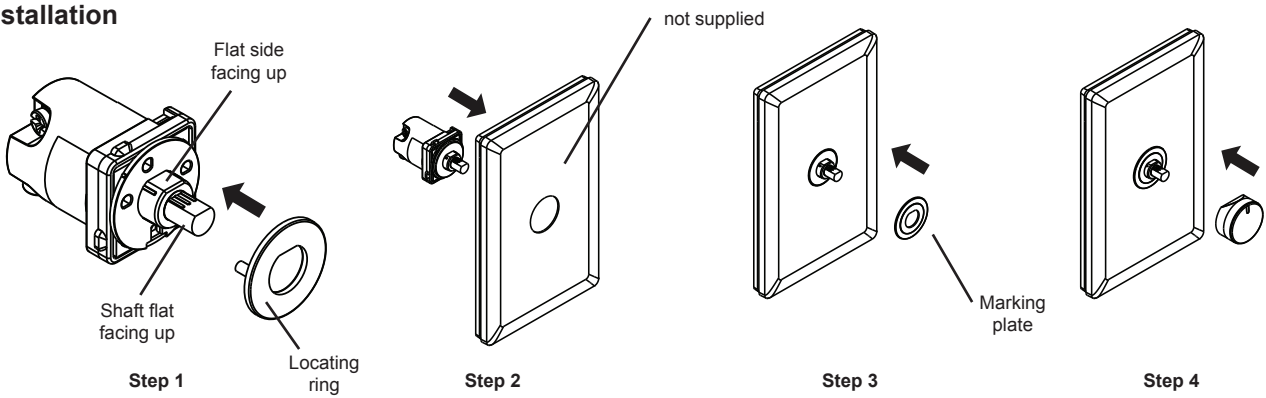


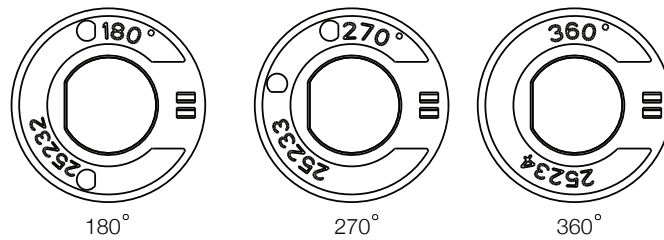
Features

- 3 options for rotation: 180°, 270° & 360°
- 6 marking plate options (refer below)
- Voltage: 230-240V a.c.
- Current rating: 16AX

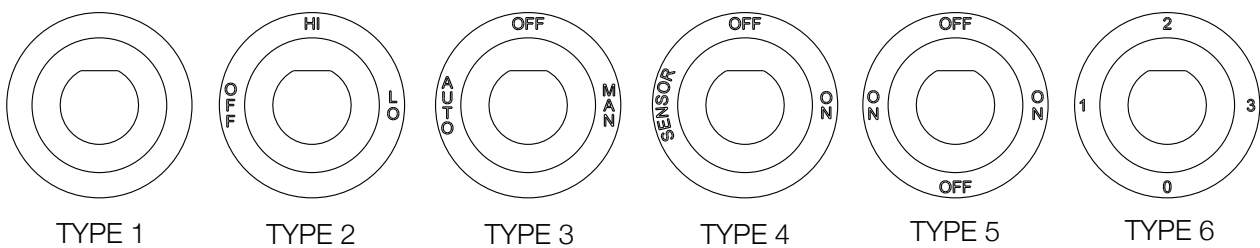
Installation



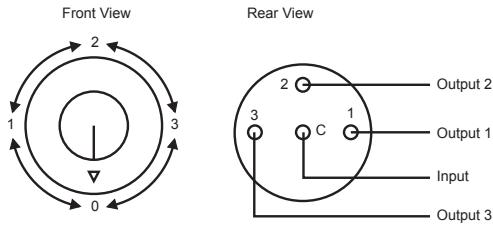
Rotation options (locating ring)



Marking Plate Options

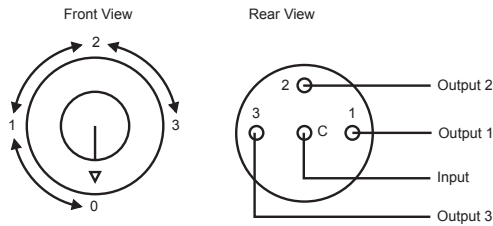


Wiring for 360° rotation



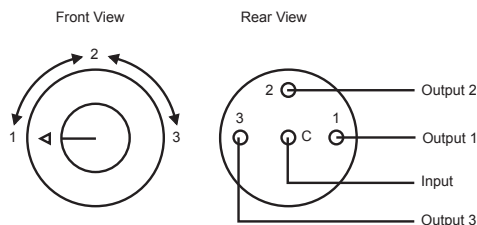
Select one of the following wiring options:				
POSITION				WIRING
0	1	2	3	
OFF	ON	ON	ON	Connect All Terminals
OFF	ON	OFF	ON	Do Not Connect Terminal 2

Wiring for 270° rotation



Select one of the following wiring options:				
POSITION				WIRING
0	1	2	3	
OFF	ON	ON	ON	Connect All Terminals

Wiring for 180° rotation



Select one of the following wiring options:				
POSITION			WIRING	
1	2	3		
ON	ON	ON	Connect All Terminals	
ON	OFF	ON	Do Not Connect Terminal 2	
OFF	ON	ON	Do Not Connect Terminal 1	
ON	ON	OFF	Do Not Connect Terminal 3	

Warranty

HPM Legrand will honour all statutory guarantees that you as a consumer are entitled to rely upon under the Australian Consumer Law against a manufacturer including a guarantee that (any products HPM Legrand has manufactured or imported/the products which are described in this Instruction Manual) EMRS products are of acceptable quality.

To make a claim under any statutory guarantee (or other warranty) you should first contact the supplier, contractor or retailer from whom you purchased the products.

Customer Service

For all Customer Service and Technical Support please call Monday to Friday during business hours.

HPM Legrand Australia
1300 369 777
www.hpmlgrand.com.au

HPM Legrand New Zealand
0800 476 009
www.hpmlgrand.co.nz

ABN: 31 000 102 661