

Scenario control

| | | | | | |
|---------------|---------------|---------------|---------------|---------------|---------------|
| HD4680 | HC4680 | HS4680 | L4680 | N4680 | NT4680 |
| 067217 | 067218 | 574504 | 574503 | 573902 | 573903 |

Description

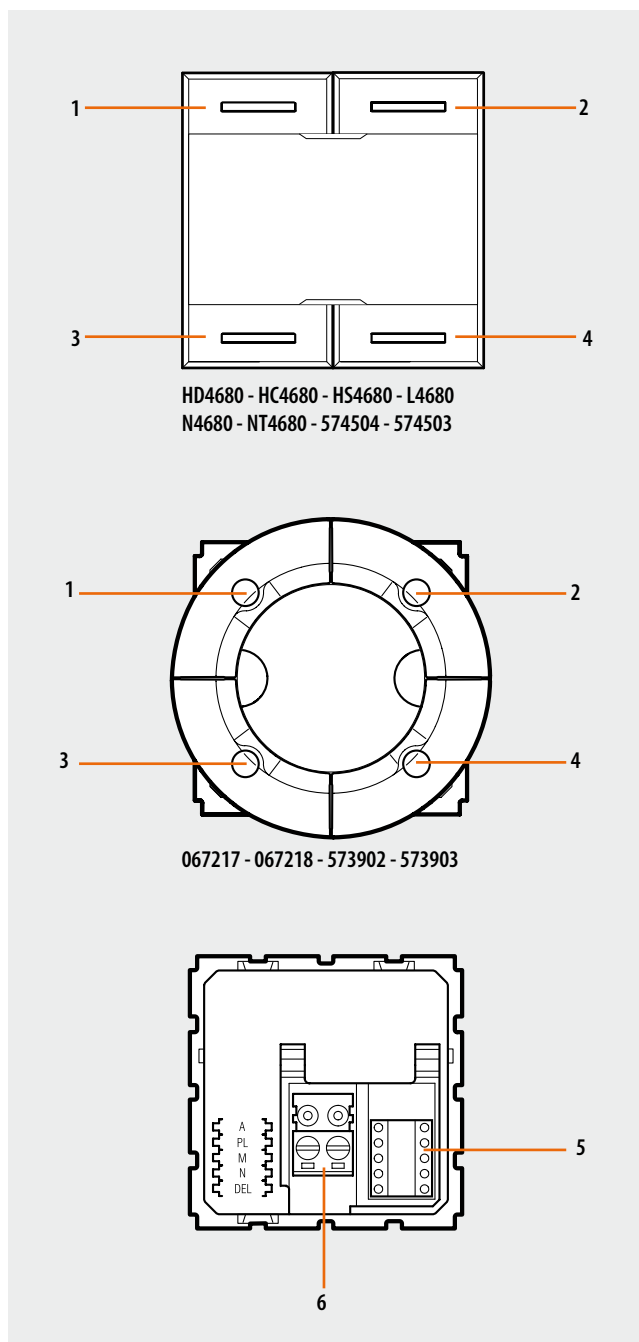
Control device to activate, create and change 4 scenarios stored in the scenario module item F420 or activate the ones saved in the scenario programmer MH200N.

Technical data

| | |
|--------------------------------------|-------------|
| Power supply via SCS BUS: | 27 Vdc |
| Operating power supply with SCS BUS: | 18 – 27 Vdc |
| Current draw: | 9 mA |

Dimensions

Size: 2 flush-mounted modules



Legend

1. Button 1
2. Button 2
3. Button 3
4. Button 4
5. Configurator socket
6. BUS

Scenario control

| | | | | | |
|---------------|---------------|---------------|---------------|---------------|---------------|
| HD4680 | HC4680 | HS4680 | L4680 | N4680 | NT4680 |
| 067217 | 067218 | 574504 | 574503 | 573902 | 573903 |

Configuration

1. Lighting Management System

When installed in a Lighting Management system, the device can be configured in the following ways:

- Project&Download, with the Virtual Configurator software you can perform all the functions listed below:
- double scenario control

- double CEN control
- double PLUS scenario control
- double CEN PLUS control

For more information on the functions see the glossary before the Technical sheets chapter.

2. My Home system

If the device is installed in a My Home system it can be configured in two ways:

- PHYSICAL CONFIGURATION, inserting the configurators in position.
- Configuration via MYHOME_Suite software package, downloadable from www.homesystems-legrandgroup.com; this mode has the advantage of offering many more options than the physical configuration.

For a list of the procedures and their meanings, please refer to the instructions in this sheet and to the "Function Descriptions" help section in the MYHOME_Suite software package.

Function selection

1. Scenario module control

1.1 Addressing

| Function | Virtual configuration (MYHOME_Suite) | Physical configuration |
|--------------------------------------|--------------------------------------|------------------------|
| Room (of the scenario module) | 0-10 | A=0-9 |
| Light point (of the scenario module) | 0-15 | PL=1-9 |

Installation and destination level:

The special control can also be used in systems where there are SCS/SCS interfaces (F422). By installing the control on the BUS of an interface (installation level), you can control one

or more actuators located on the BUS of another interface (destination level).

| Function | Virtual configuration (MYHOME_Suite) | Physical configuration |
|-------------------|--------------------------------------|------------------------|
| Destination level | Local bus | I= 1-9 |
| | Riser bus | I=CEN |
| | Complete system | I=0 |

To configure the installation level use MYHOME_Suite virtual configuration.

NOTE: Positions A and PL of the scenario control must correspond to those in the scenario module item F420. The association of each key of the control to one of the scenarios stored by the module is made by configuring socket M. It is possible to configure positions N and DEL to set the number of

the scenario to be activated with a delay (from 15s to 15m).

1.2 Mode

| Function | Virtual configuration (MYHOME_Suite) | | Physical configuration |
|--------------------------------------|--------------------------------------|------|------------------------|
| | Parameter / setting | | |
| Scenario modification and activation | | | |
| | Scenario top button | 1-16 | M=1-4 ¹⁾ |
| | Scenario bottom button | 1-16 | |

NOTE 1): Correspondence between the 4 keys of the control and the scenarios stored in the module item F420:

Scenario control

HD4680 HC4680 HS4680 L4680 N4680 NT4680
067217 067218 574504 574503 573902 573903

| Value of configurator M | Button 1 (T1) | Button 2 (T2) | Button 3 (T3) | Button 4 (T4) |
|-------------------------|---------------|---------------|---------------|---------------|
| 1 | scenario 1 | scenario 2 | scenario 3 | scenario 4 |
| 2 | scenario 5 | scenario 6 | scenario 7 | scenario 8 |
| 3 | scenario 9 | scenario 10 | scenario 11 | scenario 12 |
| 4 | scenario 13 | scenario 14 | scenario 15 | scenario 16 |

1.2.1 Defining scenario activation delay

It is possible to set a delay to be assigned to one or all the scenarios before actuation is performed:

| Virtual configuration (MYHOME_Suite) | | Physical configuration |
|--------------------------------------|---------------------------|------------------------|
| Function | Parameter / setting | |
| Delay activation | | |
| Top button delay | 0, 1-60s, 90s, 2-10m, 15m | DEL=0-9, N=0-5 *) |
| Bottom button delay | 0, 1-60s, 90s, 2-10m, 15m | DEL=0-9, N=0-5 *) |

NOTE (*): The Configurator in the DEL position determines the scenario activation delay.

| Value of configurator DEL | Delay |
|---------------------------|------------|
| 0 | No delay |
| 1 | 1 minute |
| 2 | 2 minutes |
| 3 | 3 minutes |
| 4 | 4 minutes |
| 5 | 5 minutes |
| 6 | 10 minutes |
| 7 | 15 minutes |
| 8 | 15 seconds |
| 9 | 30 seconds |

Selecting scenarios to delay

| Value of configurator N | Button 1 (T1) | Button 2 (T2) | Button 3 (T3) | Button 4 (T4) |
|-------------------------|---------------|---------------|---------------|---------------|
| 0 | None | None | None | None |
| 1 | Delay ON | None | None | None |
| 2 | None | Delay ON | None | None |
| 3 | None | None | Delay ON | None |
| 4 | None | None | None | Delay ON |
| 5 | Delay ON | Delay ON | Delay ON | Delay ON |

2. Programmed scenario activation

In this mode, pressing a button activates a scenario stored in the scenario programmer MH200N.

2.1 Addressing

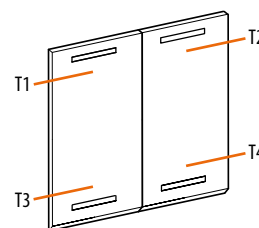
| Virtual configuration (MYHOME_Suite) | | Physical configuration |
|--------------------------------------|------|------------------------|
| Addressing type | | |
| Room | 0-10 | A=1-9 |
| Lighting point | 0-15 | PL=1-9 |

Scenario control

| | | | | | |
|---------------|---------------|---------------|---------------|---------------|---------------|
| HD4680 | HC4680 | HS4680 | L4680 | N4680 | NT4680 |
| 067217 | 067218 | 574504 | 574503 | 573902 | 573903 |

2.2 Scenario number

| | Virtual configuration (MYHOME_Suite) | Physical configuration |
|---------------|--------------------------------------|------------------------|
| Top button | 0-31 | SPE=0 M=CEN |
| Bottom button | 0-31 | SPE=0 M=CEN |



NOTE: T1-T4 = scenario buttons 1-4

3. PLUS programmed scenario activation

To configure address 1 - 2047 of the scenario and of the number of buttons 0 - 31 use MYHOME_Suite virtual configuration

Scenario programming

In order to program, change or cancel a scenario, it is necessary to enable the programming mode of the Module item F420 so that the status LED is green (press the lock/unlock key on the Scenario Module for at least 0.5 seconds); continue with the following operations:

- 1) Press one of the four control keys the scenario should be associated to for 4 seconds. The corresponding LED starts flashing.
- 2) Set the scenario using the corresponding controls for the various Automation, Temperature control, Sound system, etc. functions.
- 3) Confirm the scenario by quickly pressing the corresponding key on the control to exit programming mode.
- 4) To change or create new scenarios to be linked to the other keys, repeat the procedure starting from point 1. To recall an already set scenario, briefly pressing the corresponding button on the control is enough.

NOTES:

Once the operations have been performed lock the programming, pressing the lock/unlock pushbutton, of the scenario module, for at least 0.5 seconds, so that the corresponding LED becomes red.

To delete a scenario, proceed as follows:

- 1) The scenario module must be enabled for programming.
- 2) Press the pushbutton of the scenario you want to cancel for at least 10 seconds: the corresponding LED will start flashing quickly for about 2 seconds, thus indicating that the scenario has been cancelled. If the LED does not flash, it means that the control has failed.

To erase the entire memory keep the DEL pushbutton on the Scenario module pressed for 10 seconds, the yellow "reset scenarios" LED flashes quickly.

Buttons for managing scenarios

