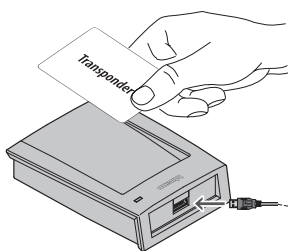
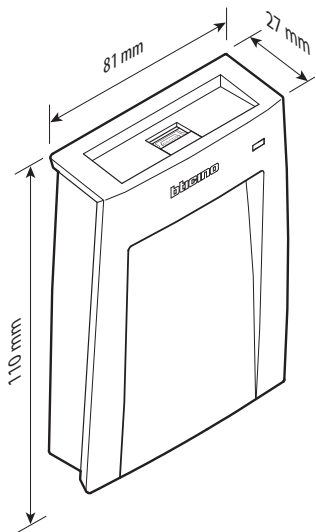
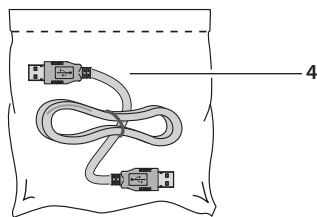
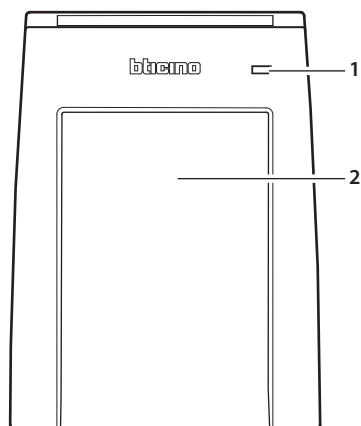
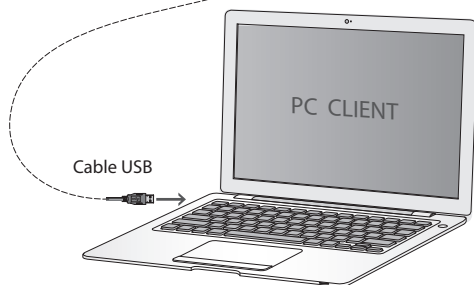


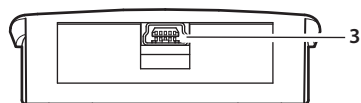
Dimensional data and description



Place the badge or card over the reader for programming



1. Badge acquisition signalling led
2. Badge support surface
3. USB connector
4. USB cable



LED legend

Working status	LED stauts	Color	Buzzer
Power on	1 blink	green	1 ring
Registration successful	1 blink	green	1 ring
Registration failed	1 blink	red	3 rings

Technical data

Frequency	13.56 MHz
Transmission power	< 42 dBuA/m @ 10m
Technology	Mifare ISO14443 (A) S50 S70

Configuration

The device must be configured by software. For software download, installation device documentation and for any other information, refer to the website.



www.homesystems-legrandgroup.com

Warnings and consumer rights



Read carefully before use and keep for future reference

Touching the units with wet hands is forbidden

Using liquid cleaners or aerosols is forbidden

Blocking the ventilation openings is forbidden

Modifying the devices is forbidden



Removing protective parts from the devices is forbidden

Installing the units near liquids and powders is forbidden

Installing the units near heat sources is forbidden

Installing the units near harmful gases, metal dusts or similar is forbidden

Fastening the units on unsuitable surfaces is forbidden



Caution: Installation, configuration, starting-up and maintenance must be performed exclusively by qualified personnel.

Hereby, BTicino S.p.A., declares that the radio equipment type Badge reader for programming 375003 is in compliance with Directive 2014/53/EU. The full text of the EU declaration of conformity is available at the following internet address: www.bticino.it/red