

## Universal speaker unit and pushbutton expansion

**346991**  
**346992**

### Description

The universal speaker unit can be used to install the 2 WIRE audio system in new or refurbished systems, where special pushbutton panels are present or required (mail boxes, patterned brass, monobloc laminates, etc.) preset for a traditional type speaker module (e.g. 2659N). The universal speaker unit has a set of clamps for the connection of 8 call pushbuttons. In systems with more than 8 call pushbuttons, one 346992 must be added for every 8 pushbuttons (max. 56); For the connection, the multicable with 2 connectors supplied with 346992 must be used.

Microphone sensitivity adjustment and loudspeaker volume using dedicated potentiometers. For the control of an electric door lock, an actuator 346230/346260 appropriately configured must be used.

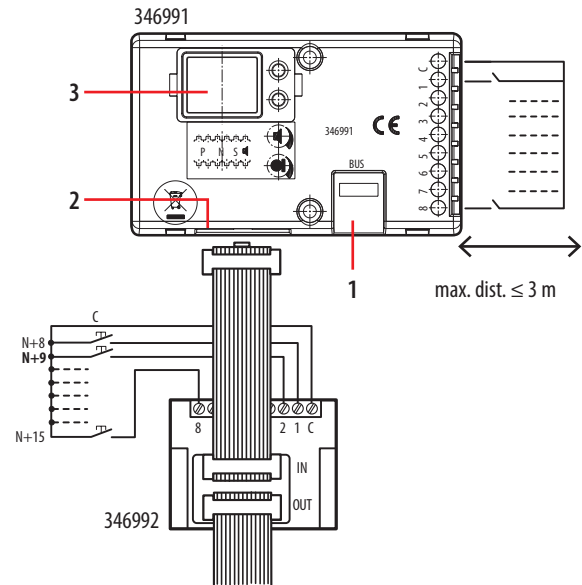
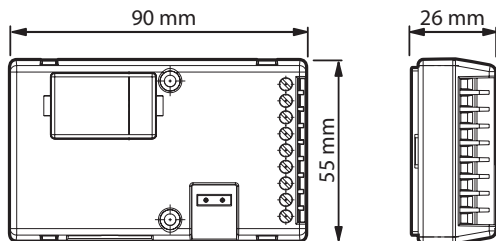
The microphone of the speaker unit may be disconnected from the device and positioned at a distance of 15 cm (max.).

In video systems, the device must be used together with native 2 WIRE cameras or camera with coaxial output using interface 347400.

### Technical data

Power supply from SCS BUS: 18 – 27 Vdc  
 Max. operating absorption: 65 mA  
 Stand by absorption: 15 mA  
 Operating temperature: (-25) – (+70)°C

### Dimensional data



### Legend

#### 346991:

- 1 - Clamps for the connection of the 2 WIRE BUS
- 2 - 346992 connector socket
- 3 - Configurator socket
- (C) common pushbuttons
- (1-8) connection of call pushbuttons

#### Clamps 346992:

- (C) common pushbuttons
- (1-8) connection of call pushbuttons

**Configuration**

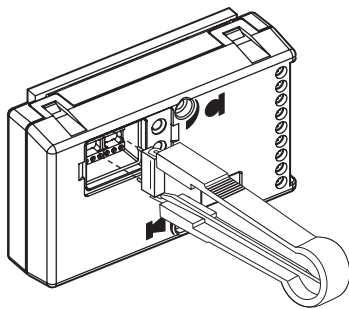
**N – call number**

Assigns the correspondence between the entrance panel pushbuttons, and the audio handsets.

In common entrance panels made using pushbutton modules, 1 must be inserted in N of the speaker module. In secondary entrance panels, the number of the first riser handset must be inserted in N.

**P – entrance panel number**

The configurator in socket P of the speaker module assigns to this a recognition number inside the system. The numbering of the entrance panels must always start from P=0. The entrance panel configured with P=0 must be a common (or main) entrance panel.



**S - type of call signal**

The configuration of S determines the call tone of handsets.

One can thus differentiate the calls from different entrance panels.

For the Classe 100 and Classe 300 handsets, S associates the entrance panel to the bell programmed in the handset. It is possible to chose between 16 different preset bells.

For the SPRINT L2 handsets, S sets the call ringtone, according to the following table:

Configurator	0	1	2	3
Type of bell	2-tone	2-tone	2-tone	One-tone
	1200 Hz	1200 Hz	1200 Hz	1200 Hz
	600 Hz	0 Hz	2400 Hz	

In one-family systems S=9 to configure the general call.

**call sound volume adjustment**

Configurator	8	3	0
Type of bell	max.	min.	excluded call confirmation