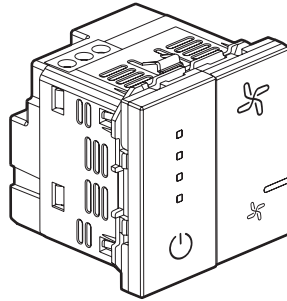


# Arteor™ Connected fan controller 4 speeds

Cat. No(s): 5 742 48/49/50/51



### 1. USE

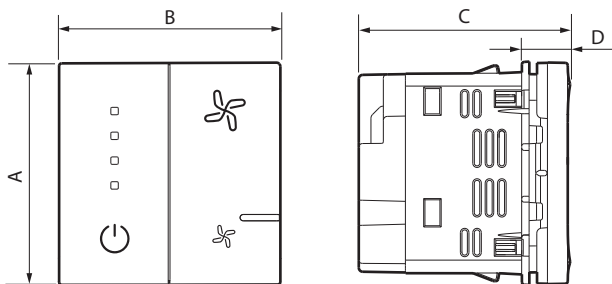
Connected fan controller 4 speeds.  
 Controls any type of 230 V~ AC fan up to 100 W.  
 Can be installed in place of an existing switch.  
 Not compatible with DC fans.

### 2. RANGE

Fan controller for ON/OFF and fan speed regulation.  
 Supplied with rocker plate.  
 Equipped with LED indicators (configuration/speed).  
 Hidden reset button used to return to factory settings.  
 2 modules

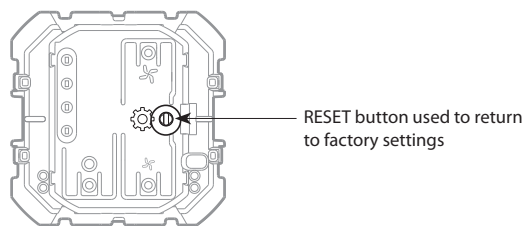
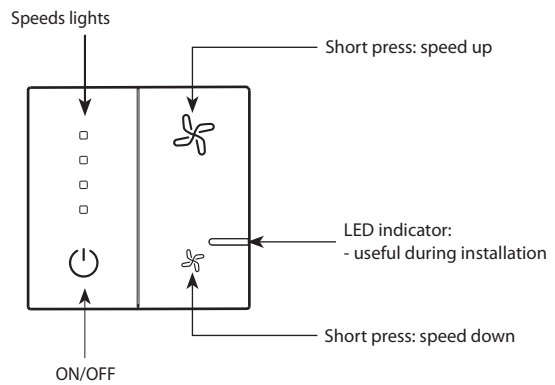
| White    | Magnesium | Champagne | Soft Alu |
|----------|-----------|-----------|----------|
| 5 742 48 | 5 742 49  | 5 742 50  | 5 742 51 |

### 3. DIMENSIONS (mm)



| A  | B  | C  | D |
|----|----|----|---|
| 45 | 45 | 42 | 9 |

### 4. OPERATION



### 5. CONNECTION

Type of terminals: with screws  
 Terminal capacity: 1 x 2.5 mm<sup>2</sup> or 2 x 1.5 mm<sup>2</sup>  
 Stripping length: 8 mm  
 Screwdriver: 3.5 mm

## 6. TECHNICAL CHARACTERISTICS

### ■ 6.1 Mechanical characteristics

Protection against impacts: IK 04

Protection against solid bodies and/or liquids: IP 20

### ■ 6.2 Material characteristics

Mechanism casing: PC

Rocker plate: ABS White RAL 9003

Painted ABS Champagne, Magnesium, Soft Alu

Halogen-free

UV-resistant

Self-extinguishing:

850°C/30 s for insulating components holding live part in place

650°C for other insulating components

### ■ 6.3 Electrical characteristics

Voltage: 240 V~

Max. power: 100 W

Standby consumption: < 0.2 W

Frequency: 50/60 Hz

### ZigBee radio technology:

Frequency: 2.4 GHz to 2.4835 GHz

Power level: < 100 mW

### ■ 6.4 Climate characteristics

Storage temperature: 0°C to + 45°C

Usage temperature: +5°C to + 45°C

## 7. CLEANING

Clean the surface with a cloth.

Do not use acetone, tar-removing cleaning agents or trichloroethylene.

Resistant to the following products:

Hexane (EN 60669-1), methylated spirit, soapy water, diluted ammonia, bleach diluted to 10%, window-cleaning products, pre-impregnated wipes.

**Caution:** Always test before using special cleaning products.

## 8. STANDARDS AND APPROVALS

The undersigned, LEGRAND, declares that the radio-electric equipment type (5 742 48/49/50/51) complies with directive 2014/53/EU.

The full text of the EU declaration of conformity is available on the following website: [www.legrandoc.com](http://www.legrandoc.com)