

**IP DES - 7" touch display standard indoor unit**

**373005  
373006  
373007**

**Description**

7" touch display indoor unit. From the touch display, it is possible to answer the call, open the lock, call the other apartments and the guard station, view call and alarm logs, leave audio messages, receive messages from the guard station, adjust the settings (e.g. brightness and volume), and view date/time information.

Alarm management can be easily integrated thanks to 8 pre-arranged dedicated contacts. The integration with the CCTV IP cameras allows to view the IP cameras of the apartment and the common area from the indoor unit. The specific integration also allows control of the lift.

It is possible to associate the video indoor unit to the Home + Security App (available for Android and iOS). The App allows to use functions such as: receiving calls, door lock release, display of the event timeline and activation of the entrance panel. With the Home + Security App, it is also possible to manage the products of the Netatmo Security range (outdoor and indoor cameras, door and window sensors, indoor siren, smoke detector).

This allows you to quickly and easily create a Smart security system.

The indoor unit can be PoE (power over Ethernet) powered, or directly powered using power supply 375005.

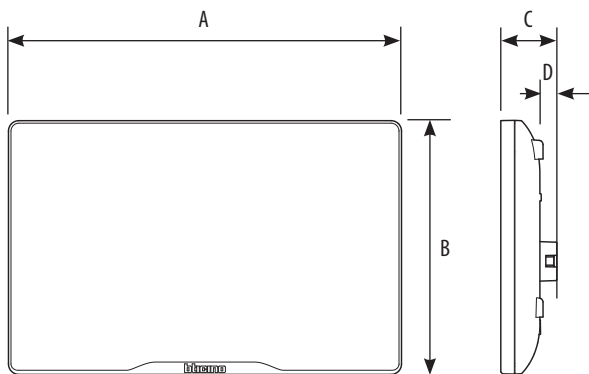
Wall mounted using the supplied bracket.

Available in different color: 373005 black, 373006 champagne gold, 373007 mirror.

**Technical data**

Voltage:	24 Vdc
Maximum consumption:	0,16 A
Max. cable section for clamps:	0.8 mm <sup>2</sup>
Operating temperature:	(- 10) – (+ 40)°C
IP degree of protection:	IP30
Maximum relative humidity:	90 %
Display resolution:	1024 x 600 dpi

**Dimensional data**

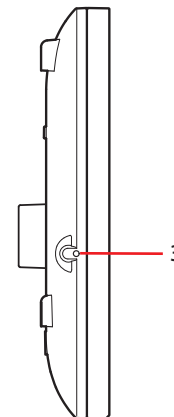


A	B	C	D
189 mm	122 mm	27 mm	8 mm

Front view



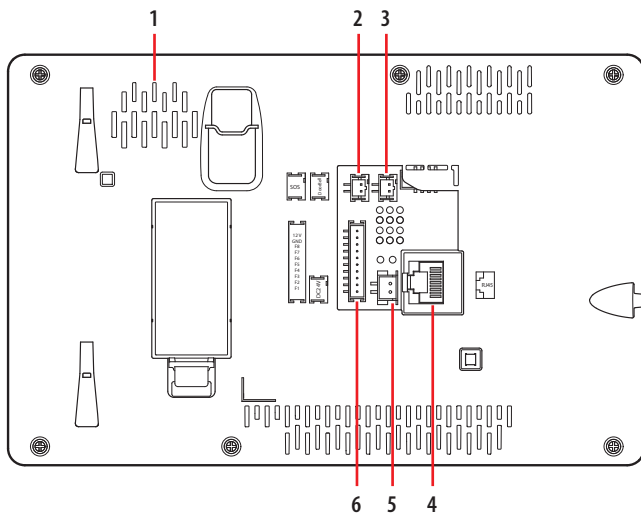
Side view



**Legend**

- 1. Display 7" (touch screen)
- 2. Home Page
- 3. Microphone

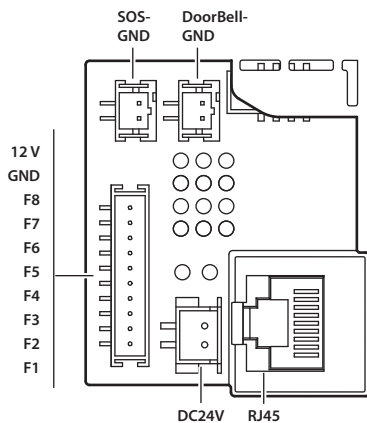
Rear view



**Legend**

- 1. Loudspeaker
- 2. Clamp for additional SOS call
- 3. Clamp for doorbell call
- 4. RJ45 Connector (\*)
- 5. Power supply clamp 24Vdc
- 6. Alarm connection clamp (see table)

(\*) This device does not support standard POE power supplies, but only POE power supplies identified with 375002. Connect the cat5/5e/6 FTP or cat5/5e/6 UTP cable with ferrite supplied to the connector. The wrong wiring of the Ethernet cable connecting the device to the Poe Switch 375002 could damage the device itself. The RJ45 cable must be at least 200 mm long



**Alarm connection clamp**

F1 – GND	Infrared
F2 – GND	Magnetic contact
F3 – GND	Smoke sensor
F4 – GND	Gas sensor
F5 – GND	Water sensor
F6 – GND	Magnetic contact
F7 – GND	
F8 – GND	SOS
+12V – GND	12 Vdc, maximum 150 mA sensor power supply

All contacts must be connected to GND and the corresponding dedicated input. The functions and wiring mode of the inputs are set by default as shown in the table and diagram, they can be customized using the software and/or straight from the device. Doorbell input isn't customizable and SOS-GND is disable by default.

**Configuration**

To use the device, it is necessary to configure it and create the Community structure using the IP DES System software, following the steps below:

- Step 01 Community VLAN network creation
- Step 02 Community structure definition
- Step 03 Community structure creation
- Step 04 Device MAC address registration
- Step 05 Community customisation
- Step 06 Saving of passwords
- Step 07 Registration of the Community on the installer's Cloud
- Step 08 Forwarding of the address book to the DES Server
- Step 09 Installation of the devices
- Step 10 Activation of the devices
- Step 11 System test

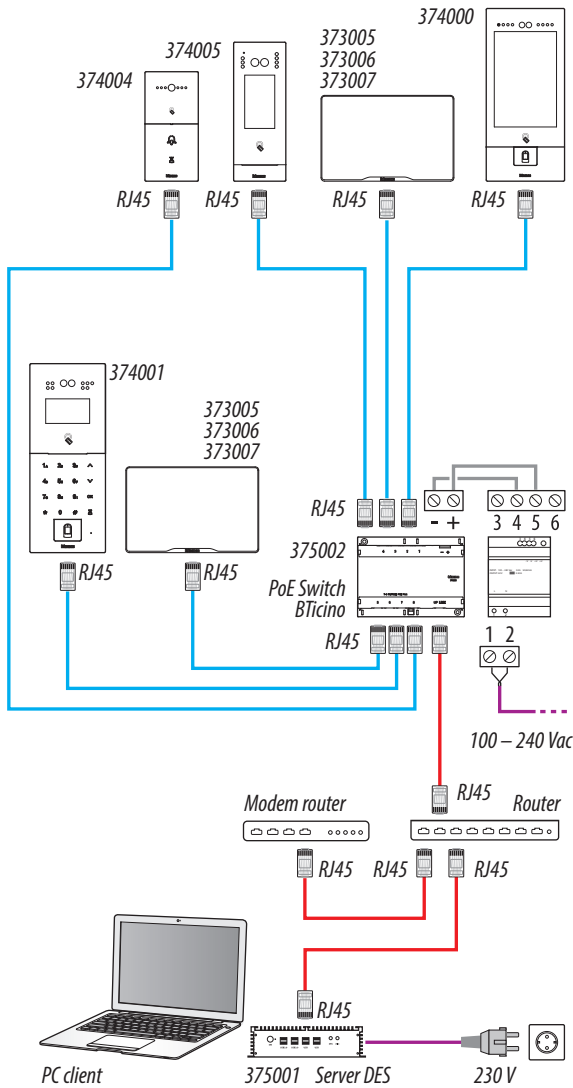
For further information, please refer to the IP DES System Software Manual and Small video entrance panel manual, available for download from [www.homesystems-legrandgroup.com](http://www.homesystems-legrandgroup.com) website

Wiring diagrams

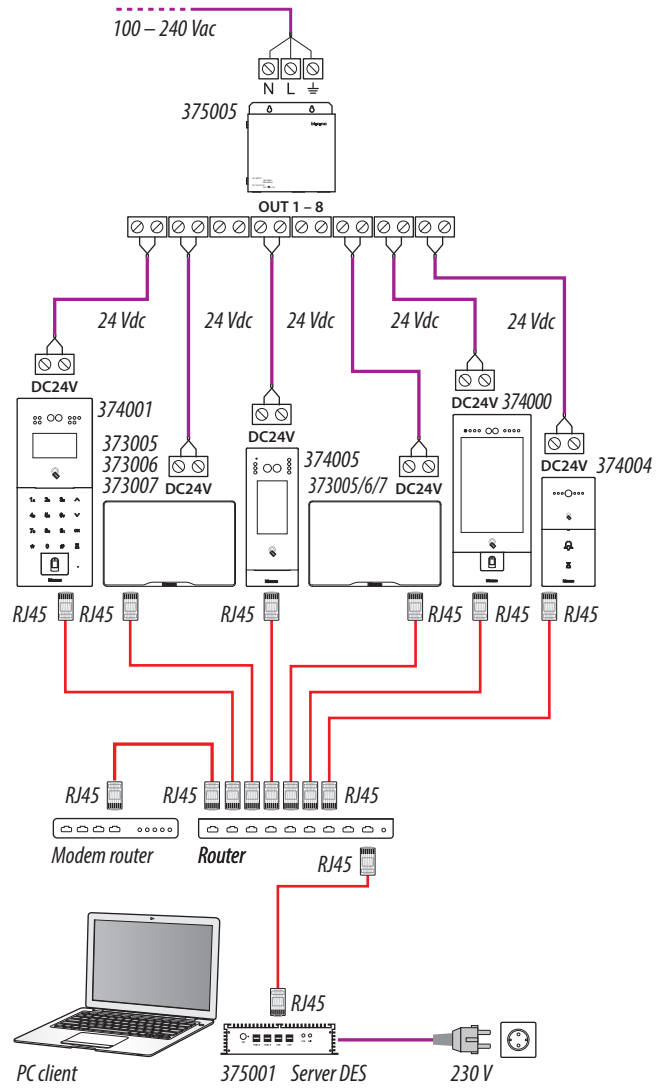
CABLES LEGEND	LAN PoE BTicino 	LAN Ethernet 	Copper cables 	2 x Copper cables 
---------------	---	--	---	---

It is possible to use two different types of connection according to installation situation:

A - Diagram with power supply by BTicino PoE Switch



B - Diagram with local power supply



**Attention:** This device does not support standard POE power supplies, but only POE power supplies identified with 375002. Connect the cat5/5e/6 FTP or cat5/5e/6 UTP cable with ferrite supplied to the connector.

**Attention:** Do not directly connect PoE ports to an unsuitable network interface, such as a device powered by a different voltage. Connect the UP LINK port to a suitable port, never to a PoE port.

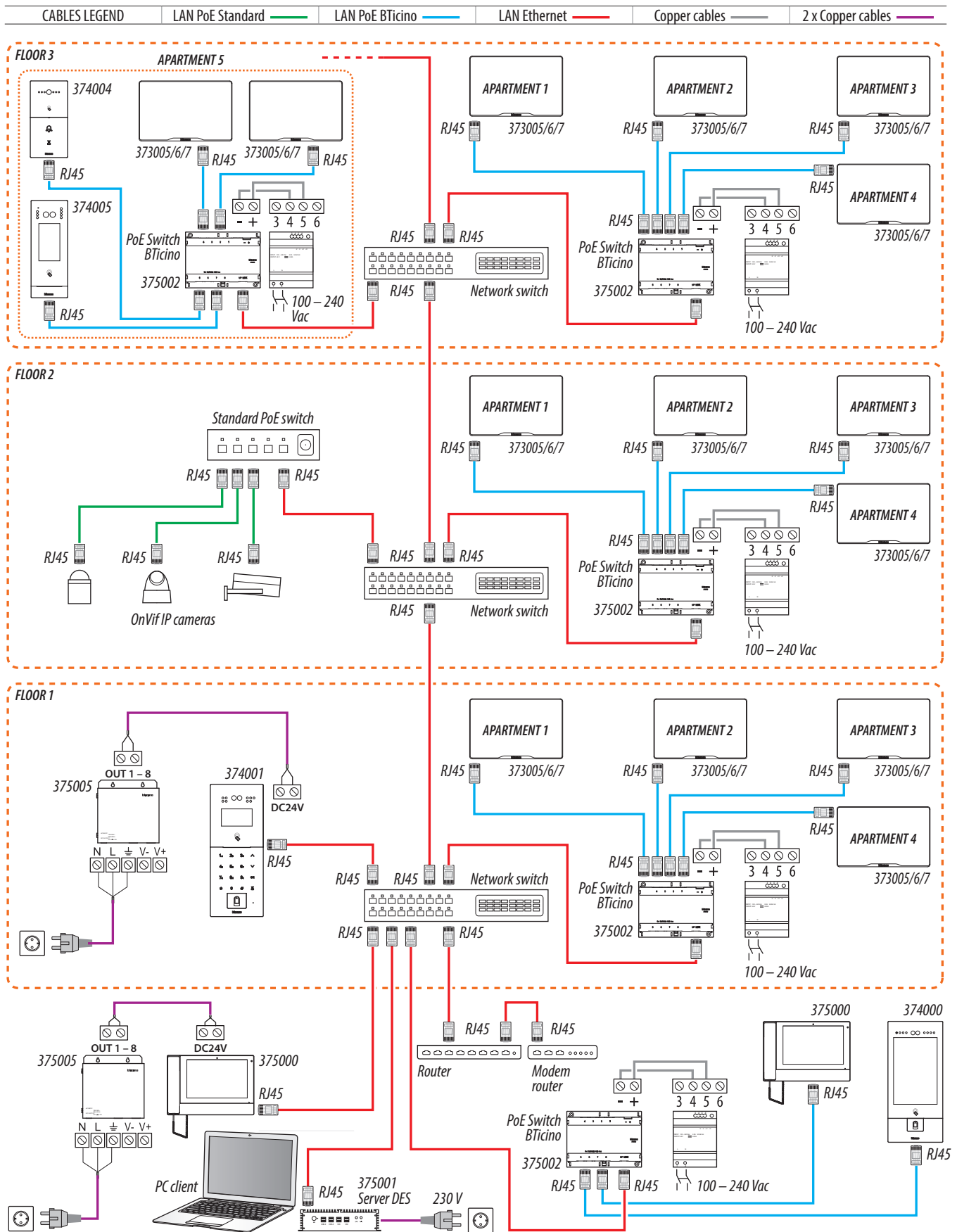
**Note:** To connect the devices it is possible to use both types of wiring (diagram A or diagram B) or even mixed ones.

**Note:** Maximum length of every LAN permanent link line = 90 m.

# IP DES - 7" touch display standard indoor unit

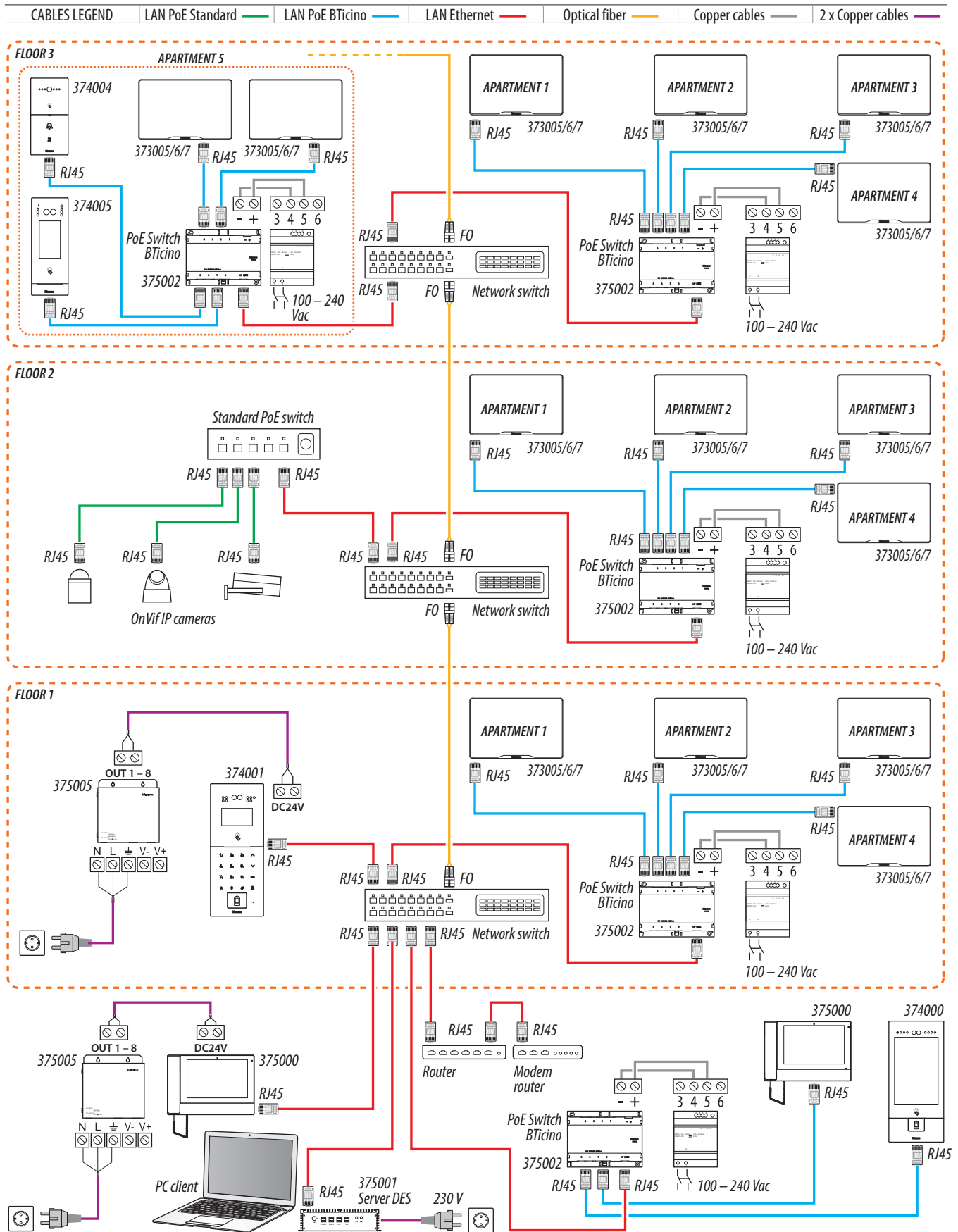
373005  
373006  
373007

## Ethernet connection



**Attention:** do not directly connect PoE ports to an unsuitable network interface, such as a device powered by a different voltage. Connect the UP LINK port to a suitable port, never to a PoE port.  
**Note:** to connect the devices it is possible to use both types of wiring (diagram A or diagram B) or even mixed ones.

## Fiber optic riser connection (case of higher bandwidth demand)

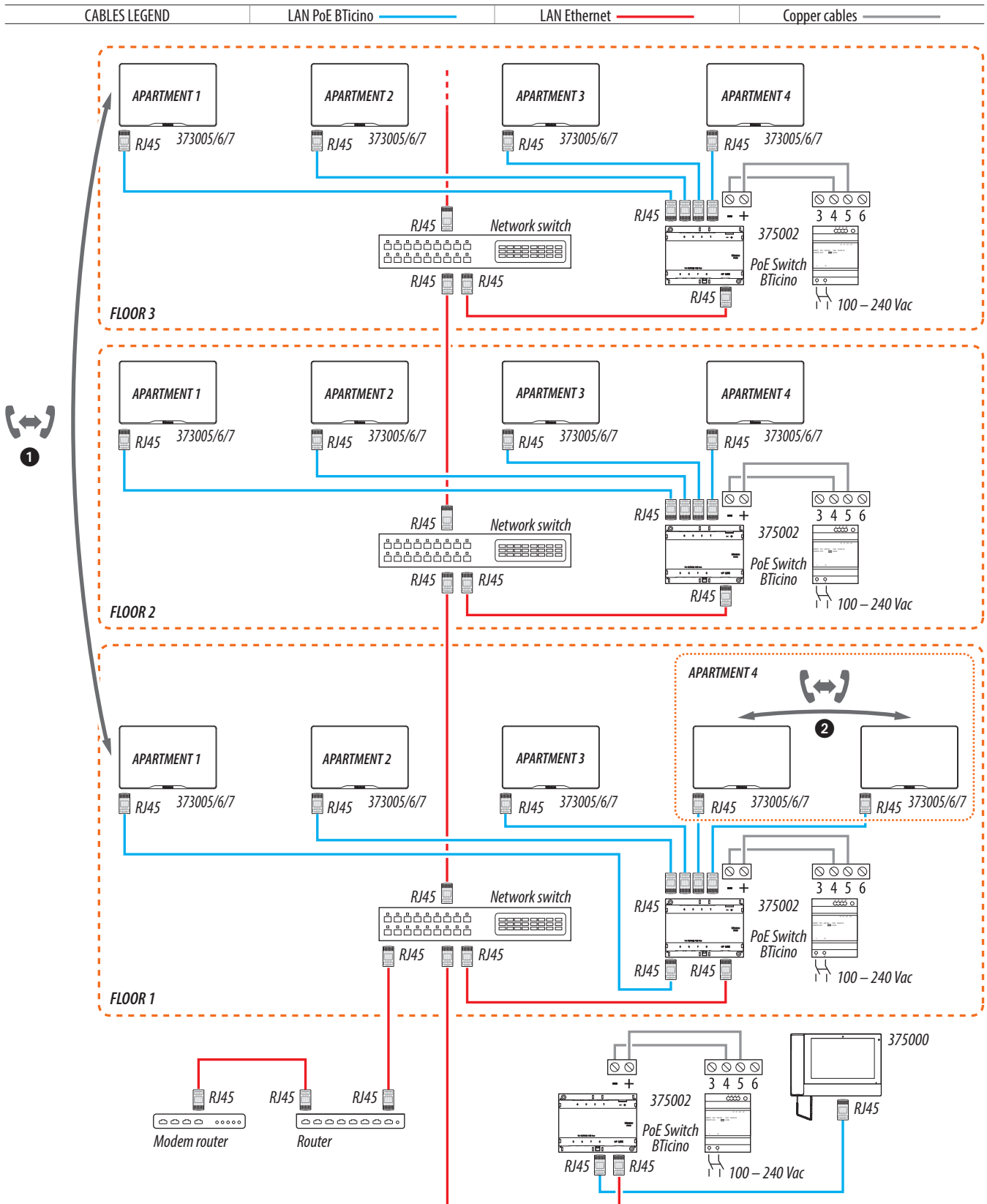


**Attention:** do not directly connect PoE ports to an unsuitable network interface, such as a device powered by a different voltage. Connect the UP LINK port to a suitable port, never to a PoE port.  
**Note:** to connect the devices it is possible to use both types of wiring (diagram A or diagram B) or even mixed ones.

## Intercom function

Audio intercom between internal unit:

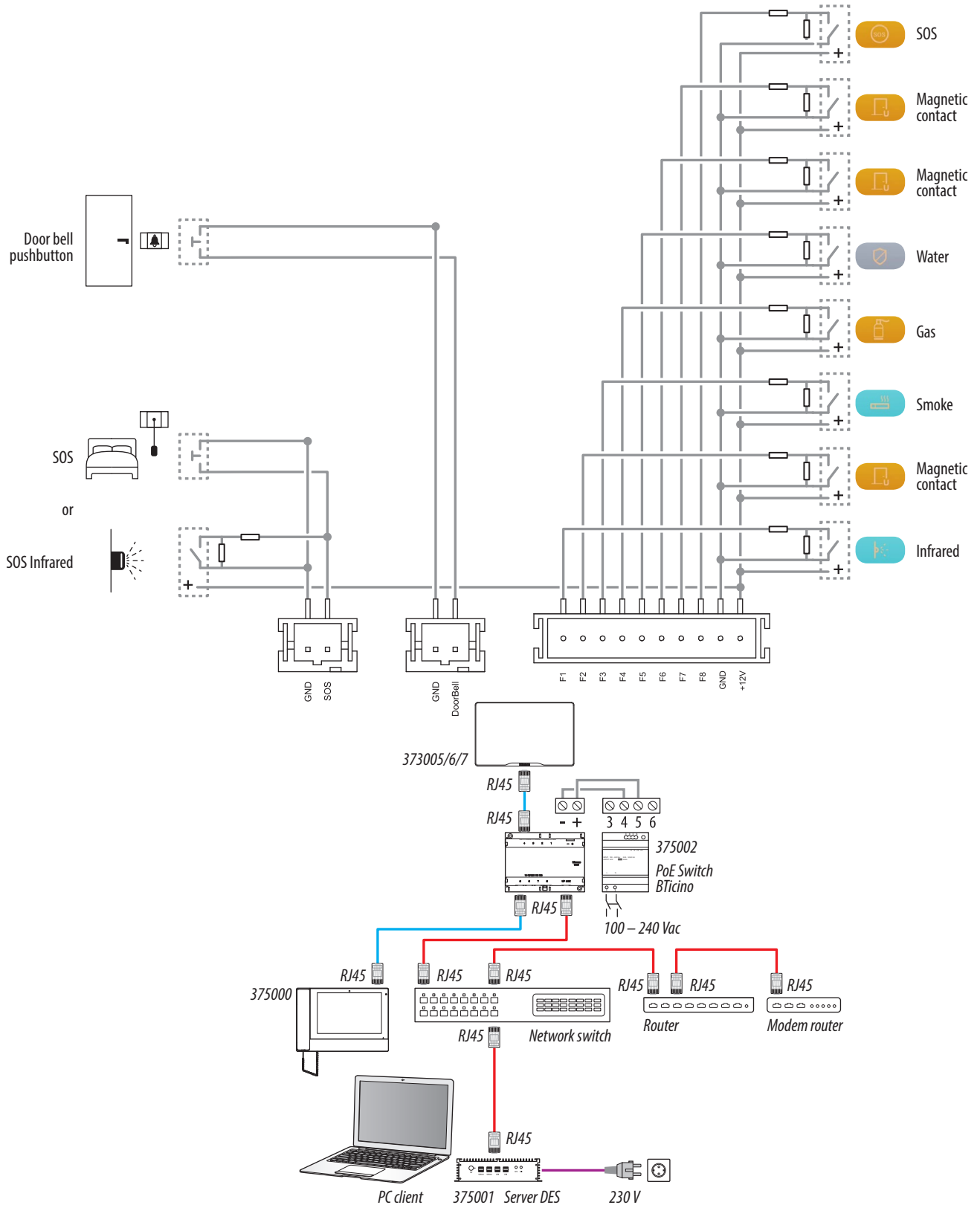
- ① - of different apartments (same building or different building)
- ② - inside the same apartment.



**Attention:** do not directly connect PoE ports to an unsuitable network interface, such as a device powered by a different voltage. Connect the UP LINK port to a suitable port, never to a PoE port.  
**Note:** to connect the devices it is possible to use both types of wiring (diagram A or diagram B) or even mixed ones.

## Available functions

CABLES LEGEND	LAN PoE BTicino	LAN Ethernet	Copper cables	2 x Copper cables



**Attention:** do not directly connect PoE ports to an unsuitable network interface, such as a device powered by a different voltage. Connect the UP LINK port to a suitable port, never to a PoE port.

**Note:** the alarm functions are the default ones. It is possible to modify them in the appropriate section.

**Note:** Use the supplied resistors (560 Ohm  $\pm 5\%$ , 1/4 W).

**Note:** to connect the devices it is possible to use both types of wiring (diagram A or diagram B) or even mixed ones.

## Main functions

From the Home Page of the device, it is possible to access the main functions, as described below:



### Call

In the Calls section it is possible to:

- display the call log with details
- make calls to other residents or the guard station
- save the favourite contacts
- block calls from specific IUs

### Message

In Message section is possible to:

- display messages with text sent from facility manager (community and emergency messages)
- check answering machine audio message with snapshot left by visitor
- check answering machine audio messages left by other resident of the apartment on the indoor unit (family message)
- access history.

### Auto-switching on Function

The Auto-switching on function allows the management of the direct automatic switching on of the entrance panel and the display of the CCTV cameras of the common areas and the individual apartment.

### Alarm Function

The Alarms function allows the management of the alarms from sensors connected to terminals F1 to F8, such as infrared sensor, gas sensor, SOS sensor, leak sensor, and so on.

### Lift control

From shortcut it is possible to call the lift from the indoor unit.

This function requires the lift control integration made with 375010 protocol transaltor interface.