

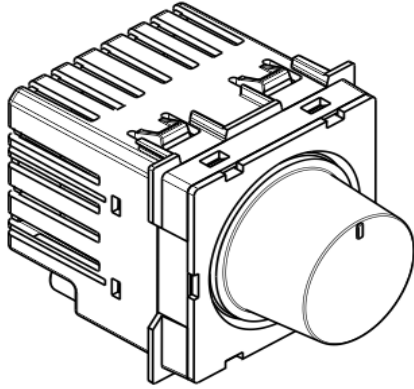
Living Now™

Ref . No. : KG4017

Fan Step Regulator 100W 2M

Date : 26/11/2021

Rev.1

**1. USE**

Fan controller.

2.Type

Fan Step Regulator 100W 2M

No. of modules : 2

Colour : Black

No of Steps : 5

Mounting : Flush and Surface -mounted

3.OVERALL DIMENSIONS

Width : 44.7 mm

Height : 45.2 mm

Depth : 58.75 mm

Weight (g) : 49.71

4.CONNECTION

Terminal : with screws

5.OPERATION

Knob Operated 5 Steps

6.TECHNICAL CHARACTERISTICS**6.1 Material Characteristics**

Top plate : Polycarbonate

Knob : Polycarbonate

Base : Polycarbonate

6.2 Electricals Characteristics

Voltage : 240V AC

Watts : 100 W

Self - extinguishing : 850° C / 30 s.

7.CONFORMITY - APPROVALS

As per IS 11037