

Datasheet

Galaxy Station - Small, Small 4G, Medium, Large

CAT. NO. 659183, 659184, 659185, 659191



Cat. No.	659183	659191	659184	659185
Description	Small Station	Small 4G Station	Medium Station	Large Station
Operating Voltage	230 - 240 V a.c. 50 Hz		POE 48 V	
Backbone Connectivity	Ethernet (RJ45)	4G* and Ethernet (RJ45)	4G* and Ethernet (RJ45)	
Wireless Transmission	915 - 928 MHz			
Power Consumption	15 W			
Connection	RJ45 (Ethernet 10/100)			
Operating Temperature	-20°C to 55°C			
IP Rating	IP31		IP67	
IK Rating	IK04		IK08	
UV Resistance	UL508			
User Interface	Power indicator: Green = On			
Humidity Rating	5% to 95%		95%	
Flammability Rating	UL94-V0		UL508	
Weight	500 g		2 kg	
Compliance	AS/NZS 4268, EN-300-220, EN-300-440, EN-301-489 AS/NZS 609500-1, AS/NZS 3112 EN 55022, EN 55014 EN 62311, EN 62479, AS CISPR 15		IEC 60950-1 AS/NZS 4268 EN 55022, AS CISPR 15	
Product Marking	R-NZ			

Note:

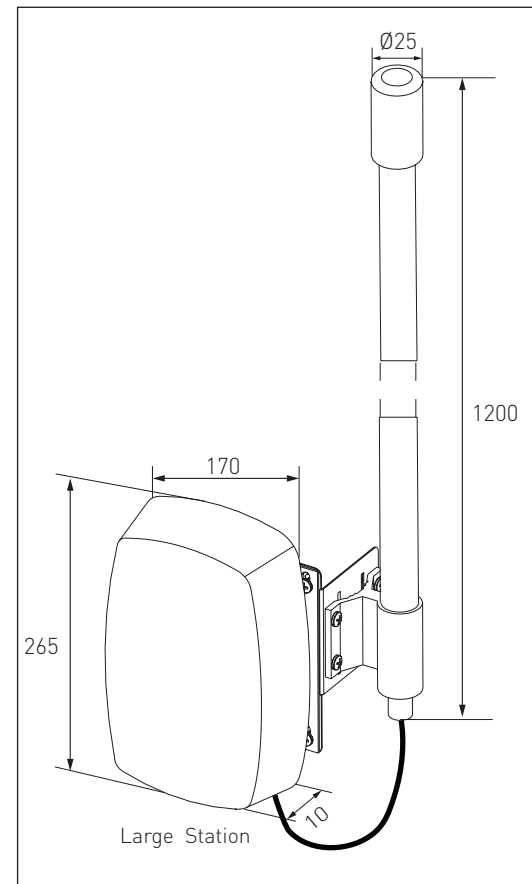
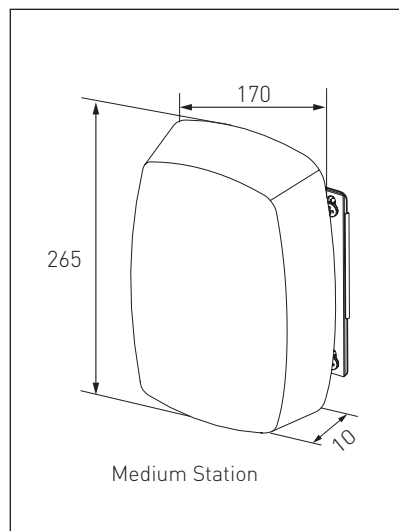
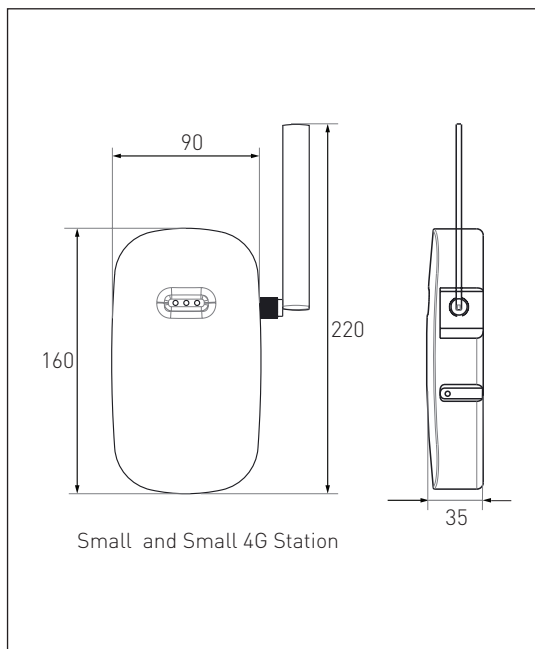
- Coverage will vary depending on the environment and application. A site survey MUST be done to determine the best position of the Galaxy Station for optimum coverage.
- * Contact your service provider for Sim card, 4G coverage and connectivity.



FEATURES

- Wireless long range and deep indoor coverage.
- Bidirectional communications with emergency luminaries.
- Network and application encryptions ensures two levels of security during communications.
- Adaptive Data Rate (ADR) transmission ensures all luminaries are connected within range.
- Plug and play into existing IT infrastructure for ease of remote access.
- 5 Year Warranty.

DIMENSIONS



Note: All the dimensions are in mm.