

Description

PoE (Power over Ethernet) switch with 10 / 100Mbps, 8 PoE ports and 1 uplink non-POE port and output 24V -100W. The PoE port is used for network communication and as power supply. DIN mounted installation (Total of 14 DIN module).

Technical data

PoE Switch

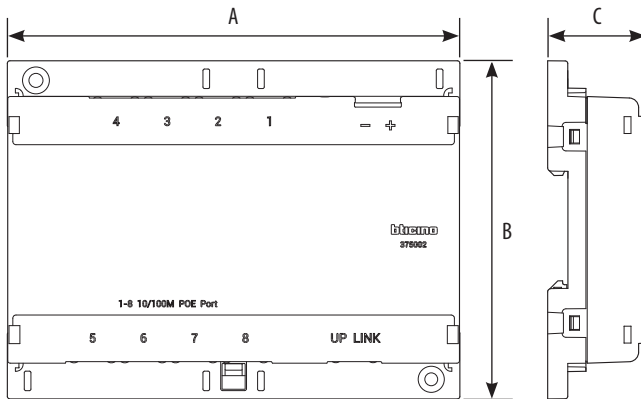
Ports from 1 to 8: PoE 24 Vdc
 Total power on 8 doors: 100 W
 Maximum single door power: 16,8 W
 Up link (no PoE): 10 / 100 Mbps
 Voltage: 24 Vdc

Power supply

Voltage: 100 – 240 Vac
 Output Voltage: 24 Vdc
 Operating temperature: (- 10) – (+ 55) °C
 Operating frequency: 50/60 Hz

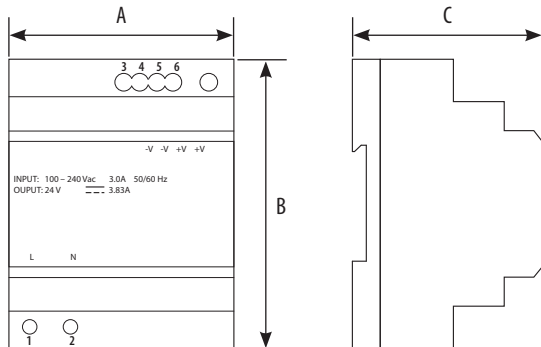
Dimensional data

PoE Switch



A	B	C
140 mm (8 DIN modules)	105 mm	30 mm

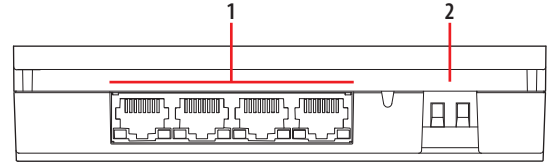
Power supply



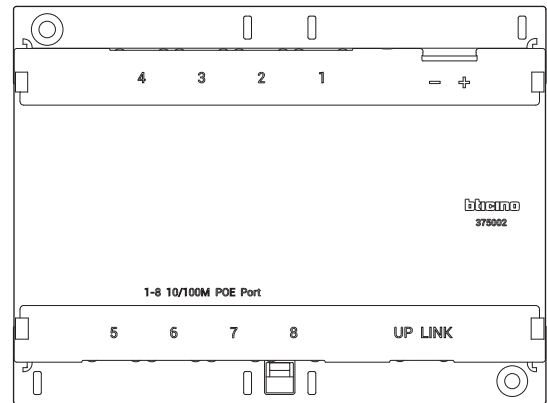
A	B	C
70 mm (4 DIN modules)	90 mm	58.4 mm

PoE Switch

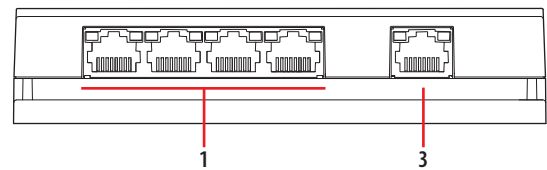
Top view



Front view

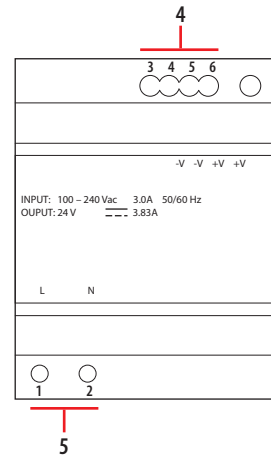


Bottom view



Power supply

Front view



Legend

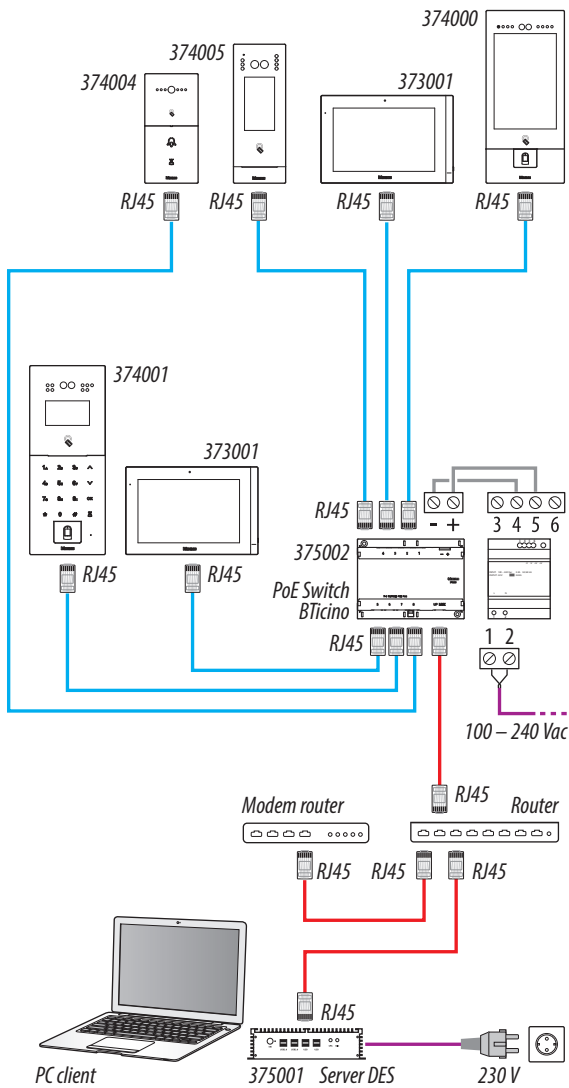
1. System peripheral connection terminals
2. Power supply clamp
3. Up link RJ45 clamp
4. PoE Switch
5. PRI 100 – 240 Vac

Wiring diagrams

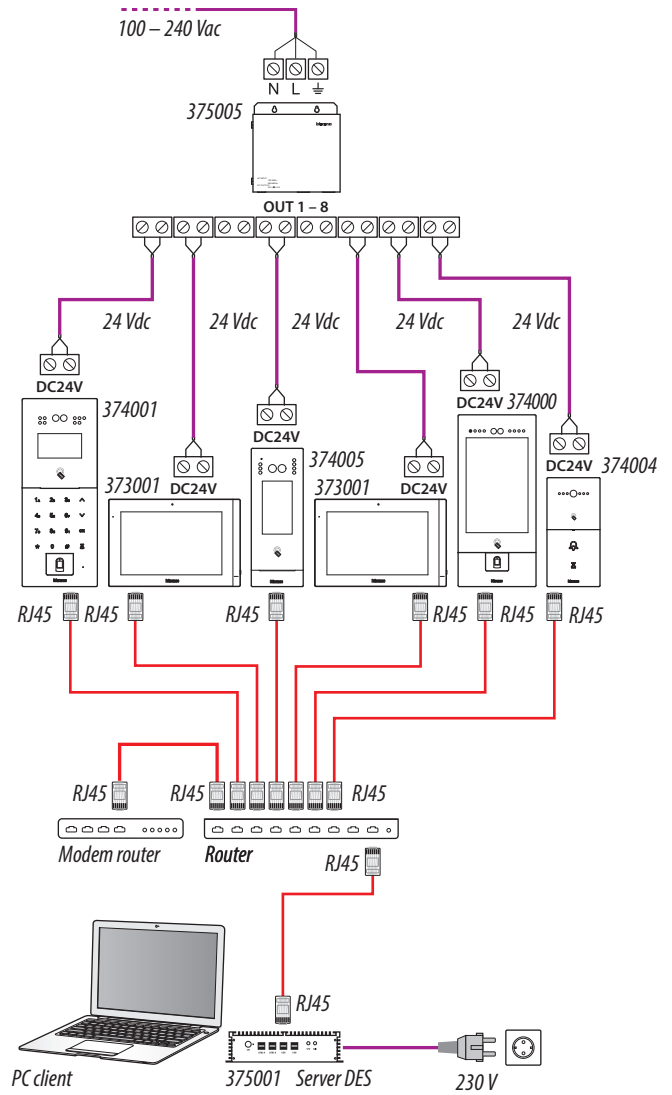
CABLES LEGEND	LAN PoE BTicino	LAN Ethernet	Copper cables	2 x Copper cables
---------------	-----------------	--------------	---------------	-------------------

It is possible to use two different types of connection according to installation situation:

A - Diagram with power supply by BTicino PoE Switch



B - Diagram with local power supply

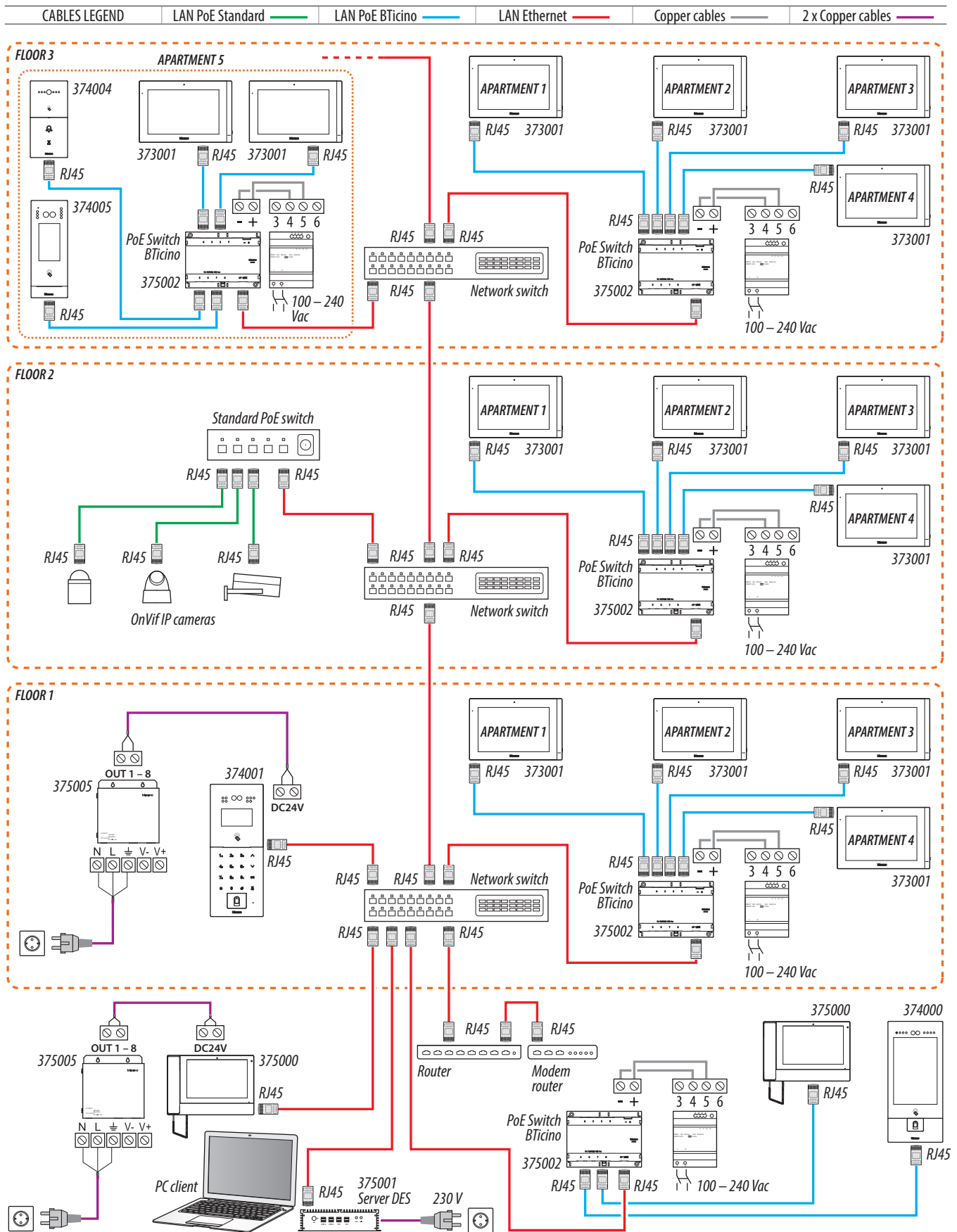


Attention: this device does not support standard POE power supplies, but only POE power supplies identified with 375002. Connect the cat5/5e/6 FTP or cat5/5e/6 UTP cable with ferrite supplied to the connector.

Attention: do not directly connect PoE ports to an unsuitable network interface, such as a device powered by a different voltage. Connect the UP LINK port to a suitable port, never to a PoE port.

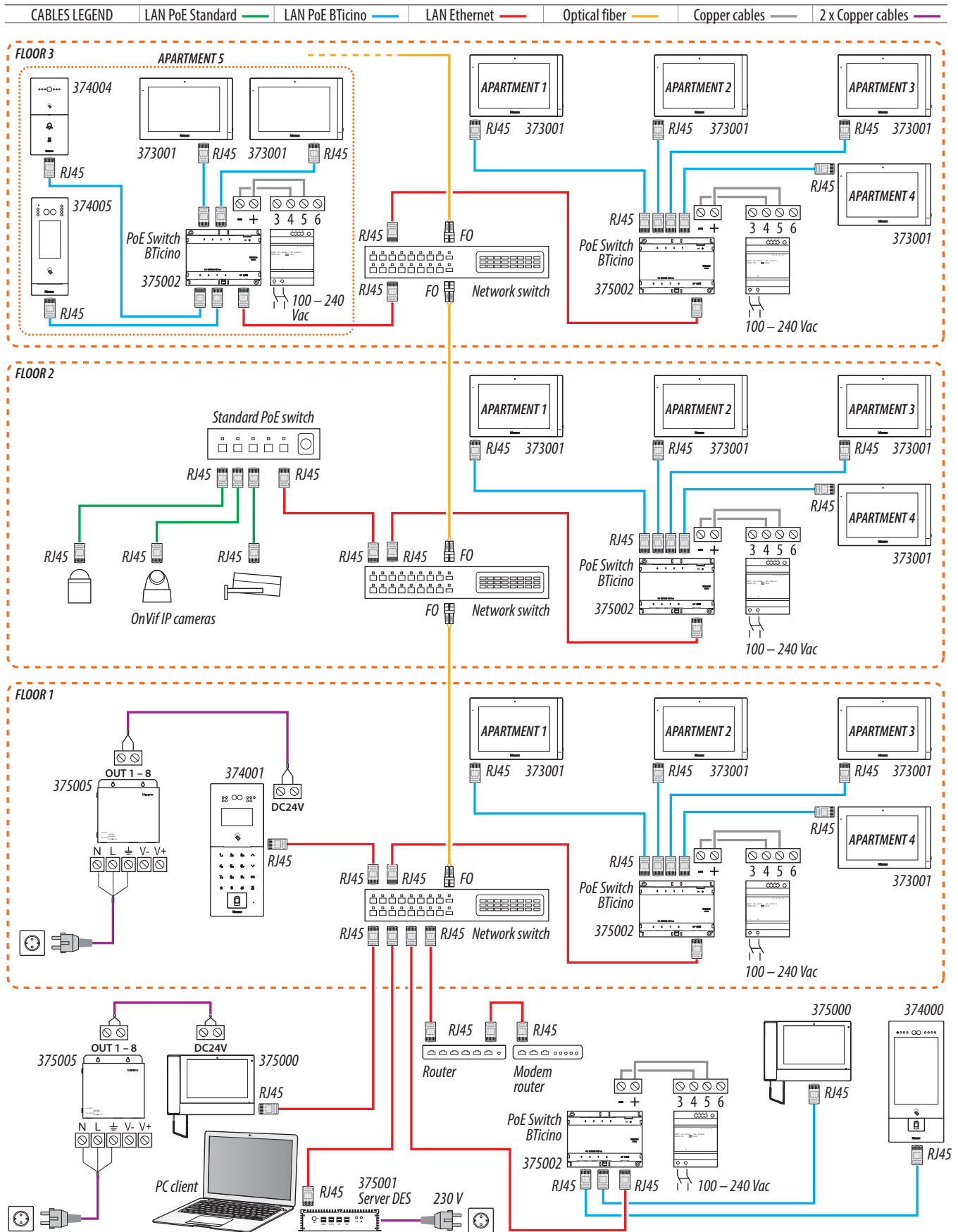
Note: maximum length of every LAN permanent link line = 90 m.

Ethernet connection



Attention: do not directly connect PoE ports to an unsuitable network interface, such as a device powered by a different voltage. Connect the UP LINK port to a suitable port, never to a PoE port.
Note: to connect the devices it is possible to use both types of wiring (diagram A or diagram B) or even mixed ones.

Fiber optic riser connection (case of higher bandwidth demand)



Attention: do not directly connect PoE ports to an unsuitable network interface, such as a device powered by a different voltage. Connect the UP LINK port to a suitable port, never to a PoE port.
Note: to connect the devices it is possible to use both types of wiring (diagram A or diagram B) or even mixed ones.