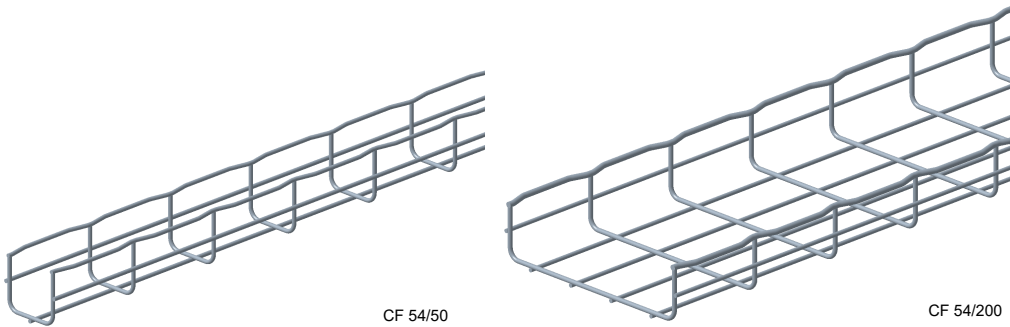


**CF 54**

Reference(s) : 000 061/071/081/091/101/201/251/301/401  
000 063/073/083/093/103/203/253/303/403  
000 064/074/084/094/104/204/254/304/404  
000 066/076/086/096/106/206/256/306/406  
000 068/078/088/098/108/208/258/308/408



SOMMAIRE / SUMMARY	PAGES
1. Usage / Use	1
2. Gamme / Range	1
3. Dimensions	1-2
4. Fixation / Fixing	2
5. Données techniques / technical data	2
6. Conformités / Conformities	2
7. Contenance / Capacity	3
8. Courbe de charge / Loading curves	3-4

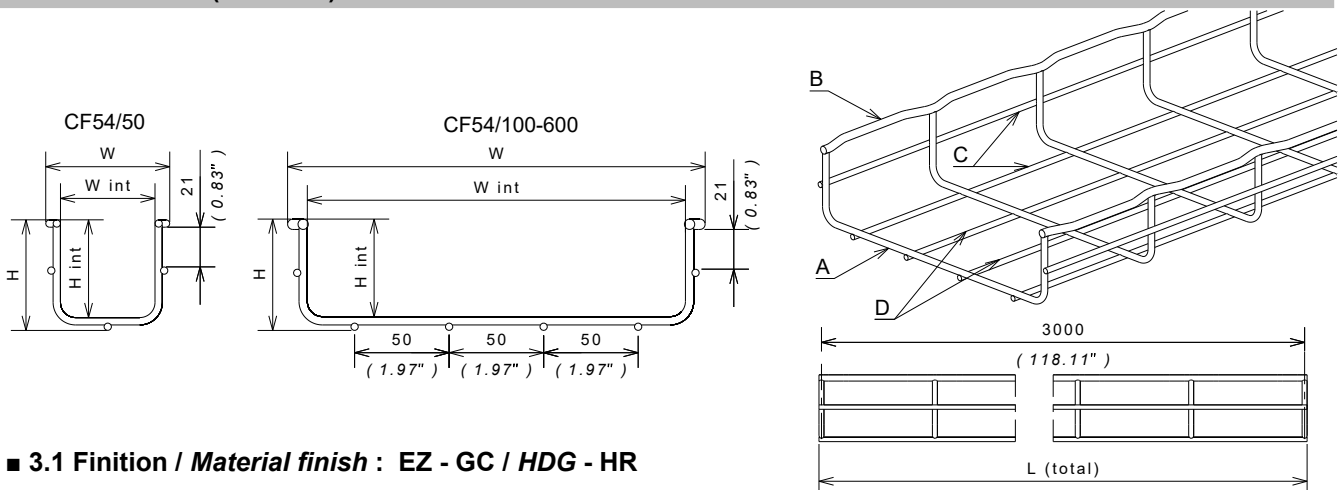
**1. USAGE / USE**

Chemin de câbles en fils d'acier soudés / Steel wire cable tray.

**2. GAMME / RANGE**

Designation	L int		EZ		GC / HDG			HR		IN304L / SS304L		IN316L / SS316L	
	(mm)	(inch)	CODE	Poids / Weight (Kg) / (lb)	CODE	Poids / Weight (Kg) / (lb)	CODE	Poids / Weight (Kg) / (lb)	CODE	Poids / Weight (Kg) / (lb)	CODE	Poids / Weight (Kg) / (lb)	
CF 54/50	50	1.97	000 061	1.889 / 4.164	000 063	1.962 / 4.326	000 066	1.834 / 4.043	000 068	1.879 / 4.143	000 064	1.879 / 4.143	
CF 54/100	100	3.94	000 071	2.328 / 5.132	000 073	2.418 / 5.331	000 076	2.260 / 4.983	000 078	2.316 / 5.106	000 074	2.316 / 5.106	
CF 54/150	150	5.91	000 081	3.127 / 6.895	000 083	3.249 / 7.163	000 086	3.036 / 6.694	000 088	2.753 / 6.069	000 084	2.753 / 6.069	
CF 54/200	200	7.87	000 091	4.025 / 8.874	000 093	4.181 / 9.219	000 096	3.908 / 8.615	000 098	3.586 / 7.907	000 094	3.586 / 7.907	
CF 54/300	300	11.81	000 101	6.134 / 13.524	000 103	6.373 / 14.049	000 106	5.956 / 13.130	000 108	5.271 / 11.620	000 104	5.271 / 11.620	
CF 54/400	400	15.75	000 201	9.131 / 20.130	000 203	9.485 / 20.912	000 206	8.865 / 19.544	000 208	7.053 / 15.549	000 204	7.053 / 15.549	
CF 54/450	450	17.72	000 251	9.763 / 21.524	000 253	10.142 / 22.360	000 256	9.479 / 20.897	000 258	8.696 / 19.171	000 254	8.696 / 19.171	
CF 54/500	500	16.69	000 301	10.396 / 22.918	000 303	10.799 / 23.808	000 306	10.093 / 22.251	000 308	9.280 / 20.458	000 304	9.280 / 20.458	
CF 54/600	600	23.62	000 401	11.660 / 25.707	000 403	12.113 / 26.705	000 406	11.321 / 24.958	000 408	10.448 / 23.034	000 404	10.448 / 23.034	

**3. DIMENSIONS (mm/inch)**



**■ 3.1 Finition / Material finish : EZ - GC / HDG - HR**

Designation	Capacité / Capacity (mm²)	A (Ø)		B (Ø)		C (Ø)		D (Ø)		W int		W		H int		H		L 0/+7mm	
		(mm)	(inch)	(mm)	(inch)	(mm)	(inch)	(mm)	(inch)	(mm)	(inch)	(mm)	(inch)	(mm)	(inch)	(mm)	(inch)	(mm)	(inch)
CF 54/50	2 613	3.9	0.15	3.9	0.15	3.9	0.15	-	-	50.0	1.97	65.6	2.58	52.8	2.079	59.6	2.346	3003.9	118.26
CF 54/100	5 253	3.9	0.15	3.9	0.15	3.9	0.15	-	-	100.0	3.94	115.6	4.55	52.8	2.079	59.6	2.346	3003.9	118.26
CF 54/150	7 893	4.4	0.17	4.4	0.17	3.9	0.15	3.9	0.15	150.0	5.91	167.6	6.60	52.8	2.079	60.3	2.374	3004.4	118.28
CF 54/200	10 493	4.4	0.17	5.5	0.22	3.9	0.15	3.9	0.15	200.0	7.87	220.9	8.70	52.6	2.071	59.9	2.358	3004.4	118.28
CF 54/300	16 443	4.4	0.17	5.5	0.22	5.5	0.22	3.9	0.15	300.0	11.81	320.9	12.63	54.9	2.16	63.4	2.496	3004.4	118.28
CF 54/400	21 813	5.9	0.23	5.9	0.23	5.9	0.23	3.9	0.15	400.0	15.75	423.6	16.68	54.6	2.16	63.4	2.496	3005.9	118.34
CF 54/450	24 543	5.9	0.23	5.9	0.23	5.9	0.23	3.9	0.15	450.0	17.72	473.6	18.65	54.6	2.16	63.4	2.496	3005.9	118.34
CF 54/500	27 273	5.9	0.23	5.9	0.23	5.9	0.23	3.9	0.15	500.0	19.69	523.6	20.61	54.6	2.16	63.4	2.496	3005.9	118.34
CF 54/600	32 733	5.9	0.23	5.9	0.23	5.9	0.23	3.9	0.15	600.0	23.62	623.6	24.55	54.6	2.16	63.4	2.496	3005.9	118.34

### ■ 3.2 Finition / Material finish : IN316L - IN304L / SS316L - SS304L

Designation	Capacité / Capacity (mm <sup>2</sup> )	A (Ø)		B (Ø)		C (Ø)		D (Ø)		W int		W		H int		H	
		(mm)	(inch)	(mm)	(inch)	(mm)	(inch)	(mm)	(inch)	(mm)	(inch)	(mm)	(inch)	(mm)	(inch)	(mm)	(inch)
CF54/50	2 613	3.9	0.15	3.9	0.15	3.9	0.15	-	-	50.0	1.97	65.6	2.58	52.8	2.079	59.6	2.346
CF54/100	5 253	3.9	0.15	3.9	0.15	3.9	0.15	-	-	100.0	3.94	115.6	4.55	52.8	2.079	59.6	2.346
CF54/150	7 893	3.9	0.15	3.9	0.15	3.9	0.15	3.9	0.15	150.0	5.91	165.6	6.52	52.8	2.079	59.6	2.346
CF54/200	10 573	4.4	0.17	4.4	0.17	3.9	0.15	3.9	0.15	200.0	7.87	217.6	8.57	53	2.087	60.3	2.32
CF54/300	16 293	4.4	0.17	5.5	0.22	4.4	0.17	3.9	0.15	300.0	11.81	320.9	12.63	54.4	2.142	61.7	2.429
CF54/400	21 933	4.4	0.17	5.5	0.22	5.5	0.22	3.9	0.15	400.0	15.75	420.9	16.57	54.9	2.161	62.2	2.449
CF54/450	24 363	5.5	0.22	5.5	0.22	5.5	0.22	3.9	0.15	450.0	17.72	470.9	18.54	54.2	2.134	62.6	2.465
CF54/500	27 073	5.5	0.22	5.5	0.22	5.5	0.22	3.9	0.15	500.0	19.69	520.9	20.51	54.2	2.134	62.6	2.465
CF54/600	32 493	5.5	0.22	5.5	0.22	5.5	0.22	3.9	0.15	600.0	23.62	620.9	24.44	54.2	2.134	62.6	2.465



## 4. FIXATION (non incluse) / FIXING (not included)

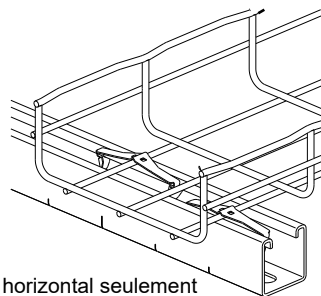
### ■ 4.1 VIS / SCREW

- 1 point de fixation minimum jusqu'à la largeur 200 mm incluse / 1 minimum fixing point until width 200 mm included
- 2 points de fixation minimum à partir de la largeur 300 / 2 minimum fixing points from width 300 mm

### ■ 4.2 FS41

Clip pour fixation sur rails LEGRAND 41x41 et 41x21  
Clip for holding on LEGRAND 41x41 or 41x21 rails

	100 → 300	400 → 600
	x2 mini	x3 mini



Montage horizontal seulement  
Only horizontal mounting

## 5. DONNEES TECHNIQUES / TECHNICAL DATA

### ■ 5.1 Caractéristiques matières / Material characteristics

Finition / Coating	Classe de résistance contre la corrosion / Resistance class against corrosion	Matière / Material	Norme matière / material Standard
EZ	Classe 3 - CEI 61537 / Class 3 - IEC 61537	C9D	EN ISO 16120-2
GC / HDG	Classe 6 - CEI 61537 / Class 6 - IEC 61537	C9D	EN ISO 16120-2
HR (ZnAl)	Classe 8 - CEI 61537 / Class 8 - IEC 61537	C9D	EN ISO 16120-2
IN304L / SS304L	Classe 9C - CEI 61537 / Class 9C - IEC 61537	X2 Cr Ni 18-9	EN 10 088-3
IN316L / SS316L	Classe 9D - CEI 61537 / Class 9D - IEC 61537	X2 Cr Ni Mo 17-12-2	EN 10 088-3

### ■ 5.2 Caractéristiques climatiques / climatic characteristics

Température de stockage et d'utilisation / storage and operating temperature : - 20° C à + 120° C

## 6. CONFORMITES / CONFORMITIES

### Continuité électrique / Electrical continuity

- Suivant CEI61537 / following IEC 61537

Conforme à CEI 61537 Systèmes de chemin de câbles  
Comply with IEC 61537 Cable tray systems

- Chemin de cable / cable tray : < 5 mΩ/m
- Eclissage / joint : < 50 mΩ

**7. CONTENANCE / CAPACITY**

Contenance en DaN/m = Poids indicatif des câbles lors d'un remplissage à 100% du Chemin de câbles  
 Capacity in DaN / m = Indicative weight of the cables when the cable tray is 100% filled

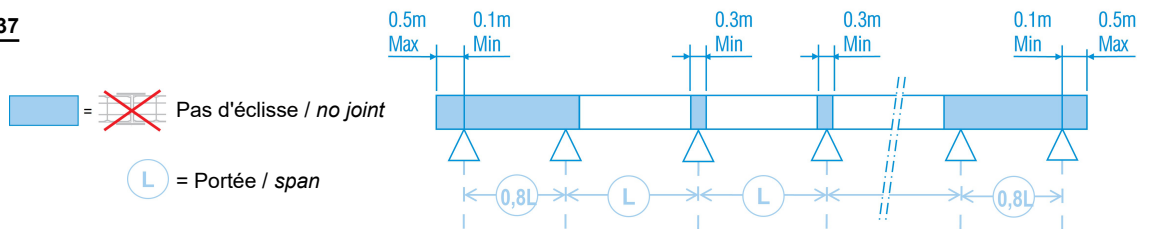
CONTENANCE maximum / Maximum CAPACITY (DaN/m)		
	d=0.15 (VDI / DATA)	d=0.25 (Puissance / Power)
CF54/50	3.9	6.5
CF54/100	7.8	13
CF54/150	11.7	19.5
CF54/200	15.6	26
CF54/300	23.4	39
CF54/400	31.2	52
CF54/450	35.1	58.5
CF54/500	39	65
CF54/600	46.8	78

d = densité des câbles / cable density (kg/m/cm<sup>2</sup>)  
 1 kgf = 0.98 daN ≈ 1daN

**8. COURBE DE CHARGE / LOADING CURVES**

■ 8.1 Essais sous CPS ( Charge Pratique de Sécurité ) / Test for SWL ( Safe Working Load ) :

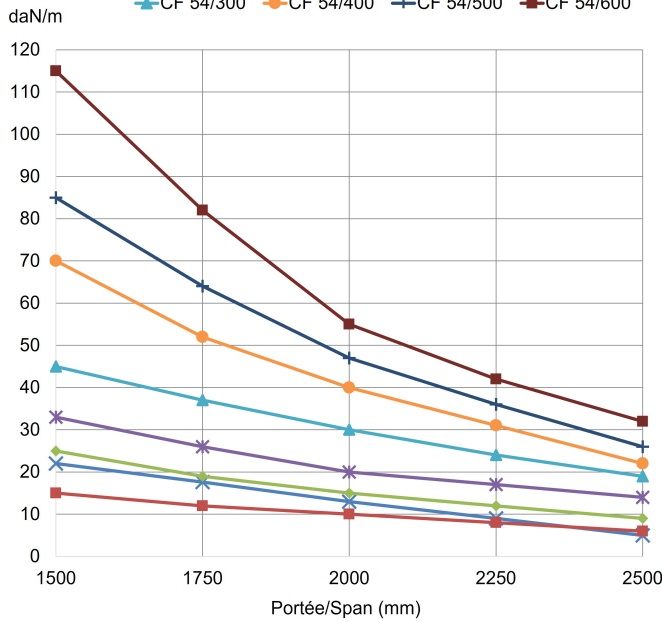
Type II / CEI 61537



= Pas d'éclisse / no joint  
 = Portée / span

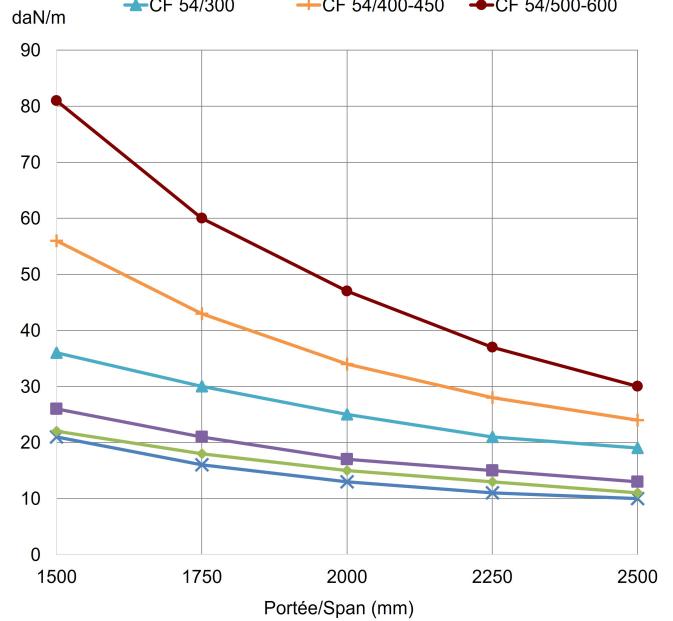
**EZ - GC / HDG - HR**

- CF 54/50
- CF 54/100
- CF 54/150
- CF 54/200
- CF 54/300
- CF 54/400
- CF 54/500
- CF 54/600



**INOX / STAINLESS STEEL**

- CF 54/50
- CF 54/100-150
- CF 54/200
- CF 54/300
- CF 54/400-450
- CF 54/500-600



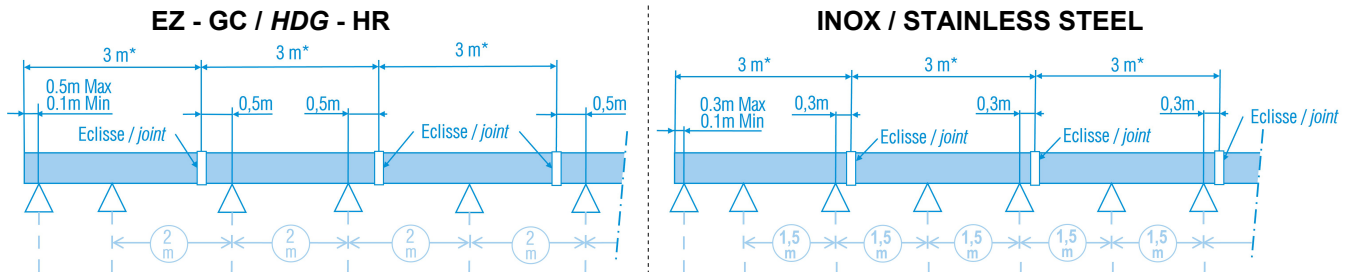
Porté maximum en mm lors d'un remplissage à 100% du Chemin de câbles / Maximum span in mm when the cable tray is 100% filled

	Porté maximum / maximum span (mm)	
	d=0.15 (VDI / DATA)	d=0.25 (Puissance / Power)
CF 54/50	2550	2400
CF 54/100	2250	1600
CF 54/150	2250	1700
CF 54/200	2100	1750
CF 54/300	2250	1650
CF 54/400	2200	1750
CF 54/500	2150	1700
CF 54/600	2150	1800

	Porté maximum / maximum span (mm)	
	d=0.15 (VDI / DATA)	d=0,25 (puissance / power )
CF 54/50	3000	3000
CF 54/100	3000	2250
CF 54/150	2450	1875
CF 54/200	2200	1500
CF 54/300	2100	1350
CF 54/400	2100	1550
CF 54/500	2200	1650
CF 54/600	1950	1500

**8. COURBE DE CHARGE / LOADING CURVES (suite / cont.)****■ 8.2 Essais sous CPS ( Charge Pratique de Sécurité ) / Test for SWL ( Safe Working Load ) :**

Selon préconisation de montage optimum / according to optimum mounting recommendations



\* Pour les installations de grandes longueurs, adapter la portée à la longueur exacte du chemin de câbles et de l'éclissage.

\* For long length installations, adapt the span to the exact length of the cable tray and joint.

<b>EZ-GC/HDG -HR</b>	
<b>Portée / Span 2000mm</b>	
	CPS / SWL (daN/m)
CF54/50-100	13.8
CF54/150	19.5
CF54/200	26
CF54/300	37.2
CF54/400-500	63.5
CF54/600	68.9

<b>INOX / stainless steel</b>	
<b>Portée / Span 1500mm</b>	
	CPS / SWL (daN/m)
CF54/50	21.2
CF54/100-150	22.4
CF54/200	26.7
CF54/300	36.9
CF54/400-500	56.5
CF54/600	81.4