

Specification

Nominal Input Voltage	230 - 240 V a.c. 50Hz
IP Rating	IP20

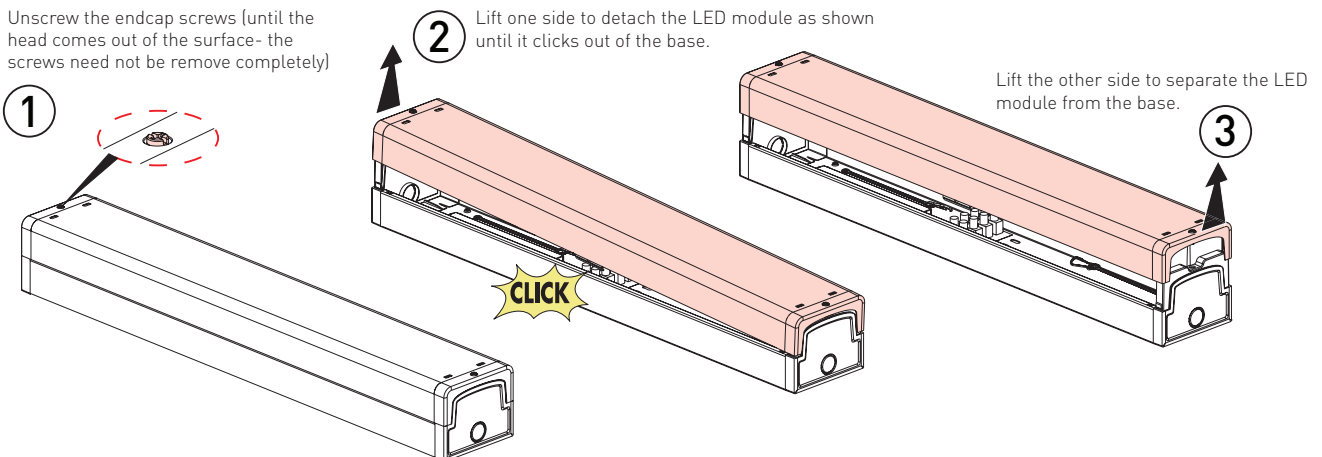
Installation

Disconnect mains supply before installing, servicing or maintaining the luminaire.

The Economy LED Batten can be installed on the ceiling or wall.

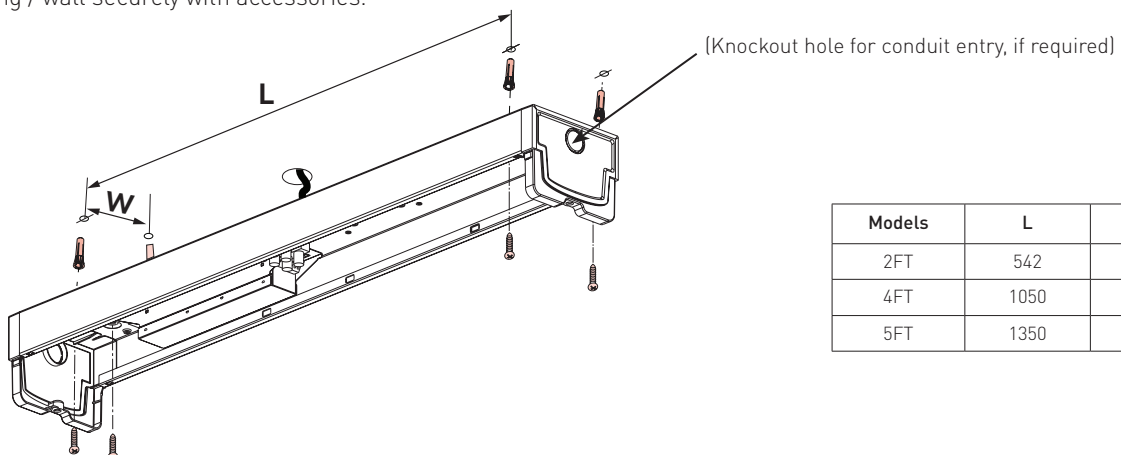
- Separate the LED Module from the metal base.
- If the batten is to be installed with the wire guard (optional), please see wire guard installation details below prior to fixing the batten on the ceiling or wall.

Unscrew the endcap screws (until the head comes out of the surface- the screws need not be remove completely)



Installation Mounting Centres

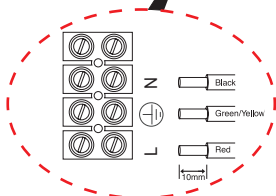
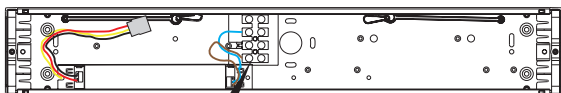
- Feed the mains cable from the rear or via the 20mm conduit entry on the end cap. Fix the base assembly to the ceiling / wall securely with accessories.



Models	L	W
2FT	542	50
4FT	1050	50
5FT	1350	50

Wiring

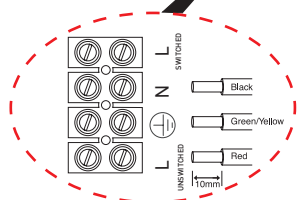
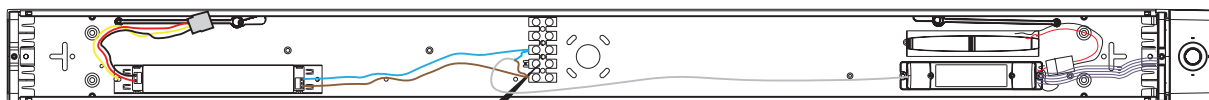
- Prepare the wiring and ensure connection is secured. Connect the power cable to the terminal block (L -Active, N- Neutral, E- Earth). Tighten screws to max. of 1.2 Nm.



- For DALI models, connect the DALI cable to the two terminals marked "DA".

EMERGENCY MODEL

- For emergency models, an additional switched Active terminal is provided to power the integrated non-maintained satellite.



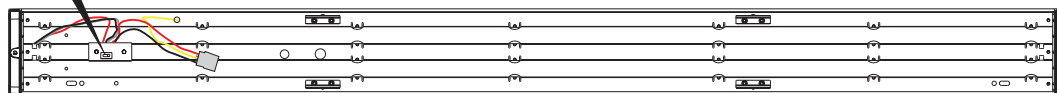
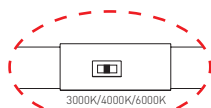
IMPORTANT: For wireless emergency versions ensure the antenna is in a vertical position. Failure to do this may result in poor communication.

For Galaxy model,

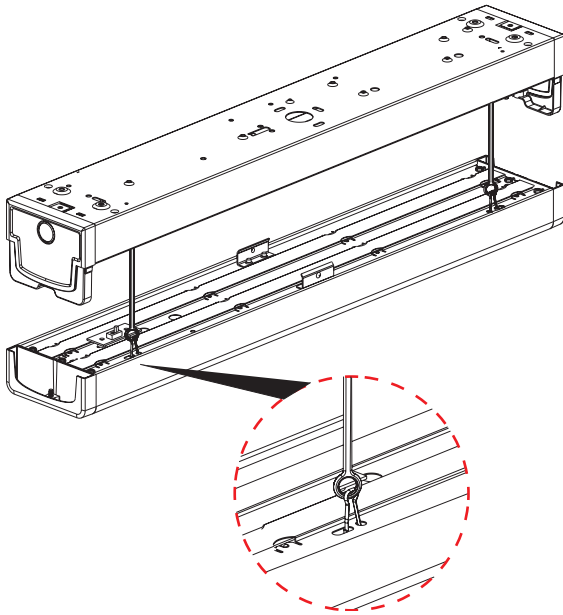
- The antenna should face down (ceiling mount)
- The antenna should face up (wall mounted)

Colour Change Settings

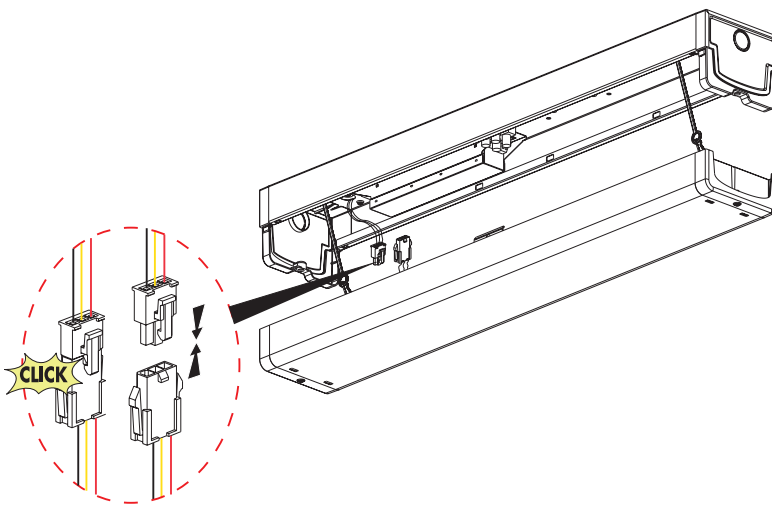
- The dip switch located on the gear tray can adjust the colour temperature to 3000K, 4000K or 6000K. The default setting is 4000K.



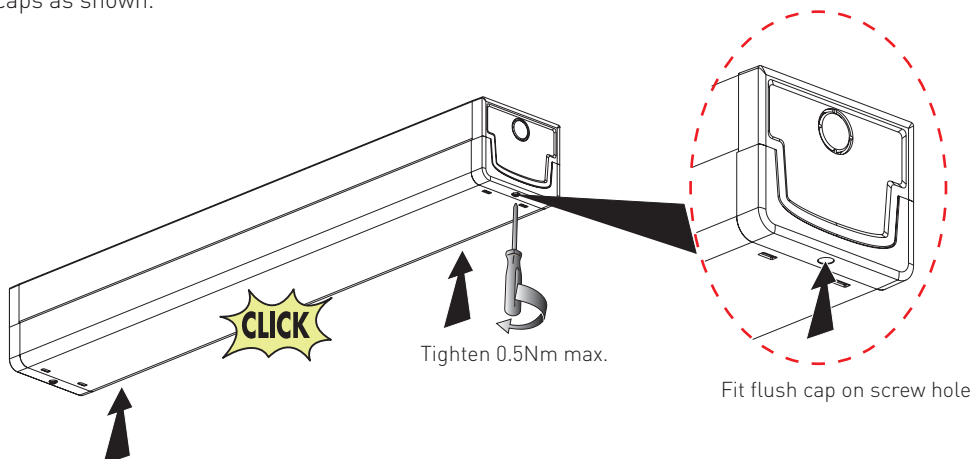
- Reattached the LED module to the base with the lanyard first.



- Connect the two quick connectors securely.

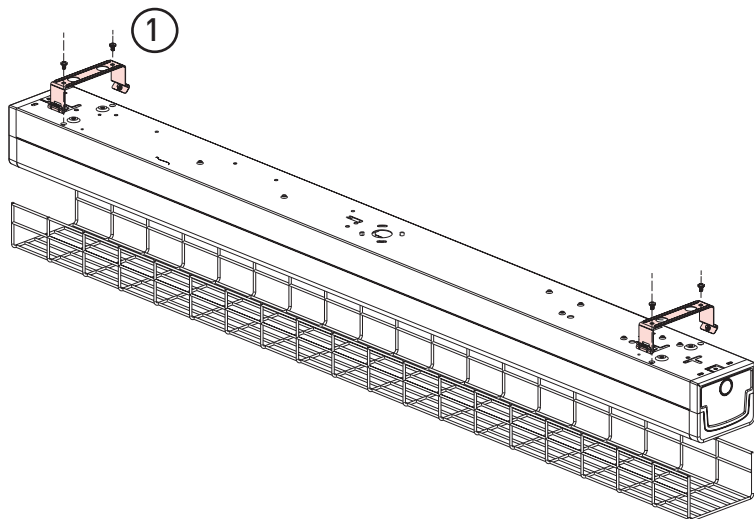


- Lineup the endcaps and push the LED module until it clicks into its position. Tighten the endcap screws and fix flush caps as shown.

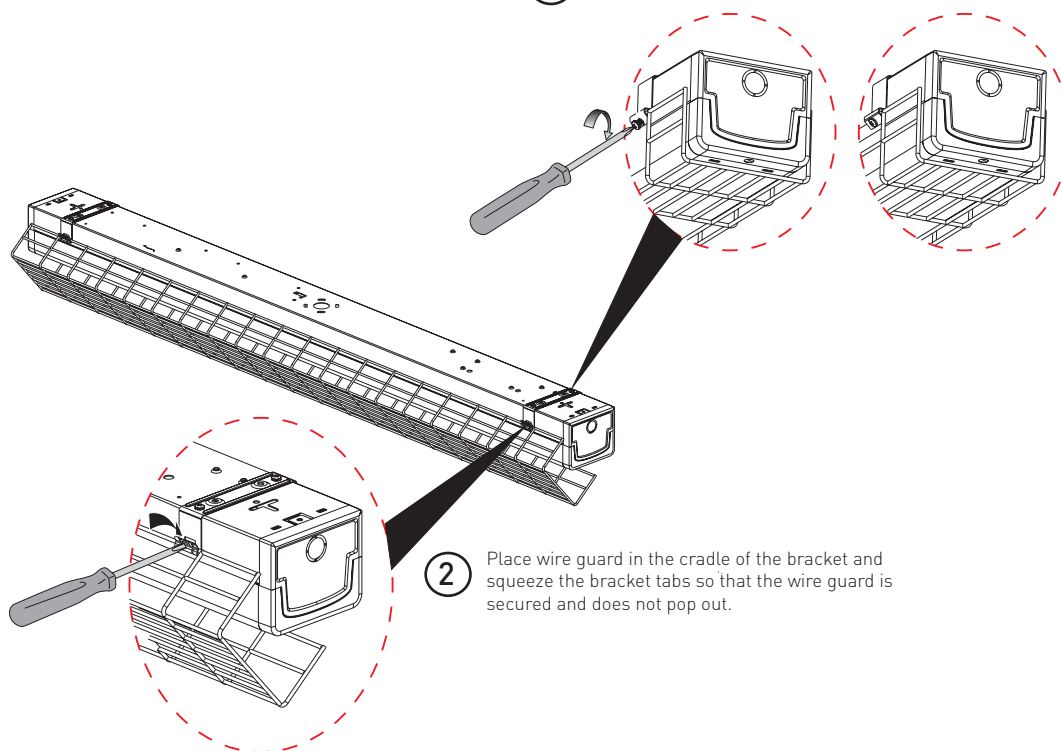


WIRE GUARD

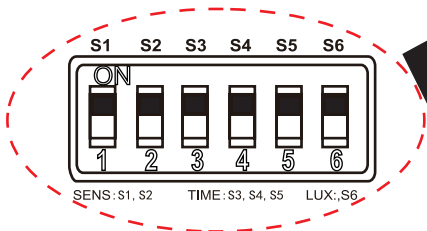
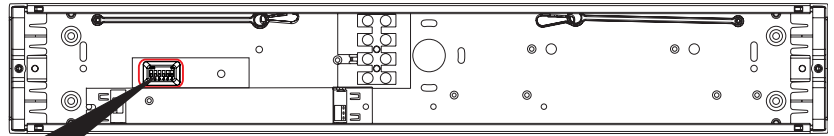
- Fit the bracket to the base as shown with supplied screws and then install to the ceiling / wall.



- 3 Once closed tighten the screws so that the wire guard does not move.

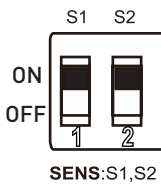


For ON/OFF movement sensor models only

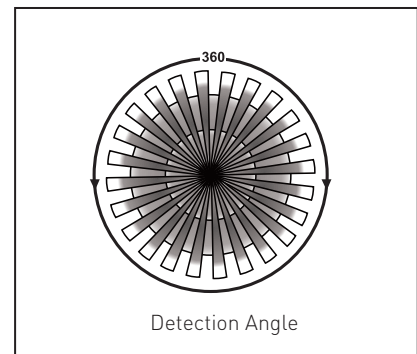
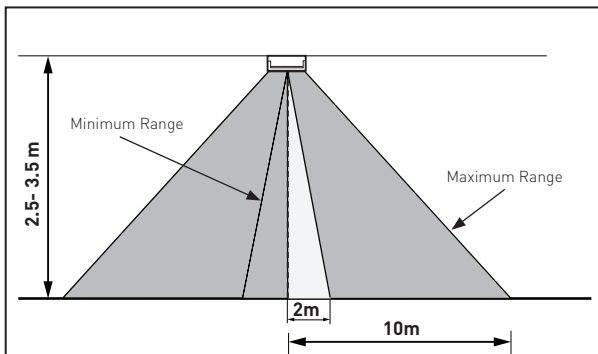


Detection Range Setting

When installed at a height of 2.5m, the minimum setting will give a circular detection range of 2m radius and a maximum detection range of 10m radius. Switch position combinations and detection range is listed in the table below.



S1	S2	Detection Range (Radius)
OFF	OFF	2m
OFF	ON	5m
ON	OFF	7m
ON	ON	10m (default setting)



Time Setting

The light can be set to stay ON for any period of time between approx. 10sec and a maximum of 30min. Any movement detected within this time will re-start the timer. Switch position combinations and time set is shown in the table below.



S3	S4	S5	Time
OFF	OFF	OFF	10 sec
OFF	OFF	ON	1 min
OFF	ON	OFF	3 min
OFF	ON	ON	5 min
ON	OFF	OFF	10 min
ON	OFF	ON	15 min
ON	ON	OFF	20 min
ON	ON	ON	30 min (default setting)

Note: After the light switches OFF, it takes approx. 4 sec before it is able to start detecting movement again. The light will only switch ON in response to movement once this period has elapsed.

Light Level Setting

When set to 10LUX, the sensor will only switch the light ON when it is dark (the ambient light level must be less than approx 10 lux). When set to OFF, the sensor will switch the light ON at any time, regardless of the ambient light level.



S6	Lux
OFF	Disable light level detection
ON	10LUX (default setting)

Test Switch (Emergency models only)



Test switch is located at one end of the batten.
After installation, press the test switch for local test of Emergency Mode operation.

Product Notes

1. This product must be installed and used as per these instructions.
2. This product must be installed by a licensed electrician.
3. This product is intended to be used indoor only.
4. This product must be securely attached to a suitable structural member of the installation. Avoid installing in rough surfaces.
5. This product should only be cleaned with a damp cloth. Cleaning agents and solvents should not be used.
6. Severe electromagnetic interference from other products may cause malfunction of this product.
7. This product is not suitable for marine environments such as areas subject to salt spray and/or mist.
8. This product is not suitable for installation in hazardous and/or corrosive areas.
9. Extended exposure to UV rays (such as exposure to direct sunlight) may cause discolouration of this product.
10. The material in this product may vary in colour from batch to batch. Colour matching from one batch to another cannot be guaranteed.
11. This product has been designed to operate in ambient temperatures 10°C to 40°C.
12. Any antenna in this product must be orientated in the vertical position to ensure good RF communication.
13. This product has no user serviceable parts and no attempt should be made to repair this product. For repair please contact Legrand.
14. This product utilises intellectual property in the form of registered designs, trademarks, and/or patents. Such intellectual property remains the property of Legrand in all cases.
15. Legrand reserves the right to modify the specifications of this product at anytime.

Warranty

Legrand guarantees this lighting unit for a period of 5 years from date of despatch, solely against failure arising from faulty materials or workmanship, and provided that the unit has been stored, shipped, installed, used and maintained in accordance with the manufacturers instructions and relevant standards. Consult Legrand Conditions of Sale for details on warranty liability. If this lighting unit is faulty, return the unit freight pre-paid to your point of purchase, or contact Legrand.

Customer Service

For all Customer Service and Technical Support enquires please call Monday to Friday during business hours.

Legrand Australia
1300 369 777
www.legrand.com.au

Legrand New Zealand
0800 476 009
www.legrand.co.nz

ABN: 31 000 102 661

