



Datasheet

Economy LED Batten- Galaxy version



CAT. NO. 659320GA, 659321GA, 659322GA, 659323GA, 659324GA, 659325GA



Cat. No.	659320GA	659321GA	659322GA	659323GA	659324GA	659325GA
Description	L6 LED Batten		L12 LED Batten		L15 LED Batten	
Nominal Input Voltage	230 - 240 V a.c. 50 Hz					
Operation Mode	Switched Maintained					
Battery	Lithium-ion 6.4 V, 3.3 Ah					
Emergency Classification C ₀ /C ₉₀	D63					
Power Consumption (W)	Mains only	20		36		50
	Emergency pack			2		
	Total	22		38		52
Light Source	Selectable LED (3000K / 4000K / 6000K)					
Inrush Current (A)	23		31		38	
Driver Type	Fixed output / Non-Dimmable					
Movement Sensor	N/A	Yes	N/A	Yes	N/A	Yes
CRI	>80					
Light Source Life (LSL)	50,000 hours @ L70					
Chromaticity Tolerance	MacAdam Ellipse: 4 SDCM					
Luminaire Output (lm) (Mains Mode)	3000 K	1800		3700		4800
	4000 K	2100		4300		5500
	6000 K	2000		4000		5200
Luminaire Efficacy at 4000K (lm/W)	95		113		106	
IP Rating	IP20					
Body Construction	Zinc steel (powder coated)					
Diffuser Construction	Opal Polycarbonate					
Product Weight (Kgs)	L6=2, L12=3.3, L15=4					
Compliance	AS/NZS 60598, AS/NZS 2293					
Product Marking	 					



Economy LED Batten- Galaxy version

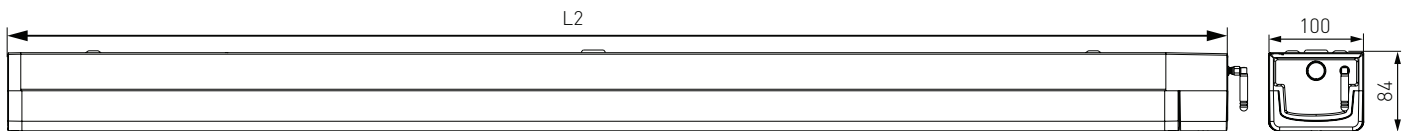
CAT. NO. 659320GA, 659321GA, 659322GA, 659323GA, 659324GA, 659325GA



FEATURES

- Embedded Bluetooth for smart device connectivity.
- Low Power Wide Area Network type of communications utilising the LoRa platform.
- LoRa communication to maximise reliability, coverage and infiltration.
- iSmart™ temperature sensing technology for the Li-ion battery.
- Electronics designed to lengthen the life of the battery.
- Environmentally friendly battery.
- Available in 2 foot, 4 foot or 5 foot lengths.
- Tri-colour LEDs (3000K/4000K/6000K) selection.
- Available with integrated ON/OFF microwave sensor option.
- Large terminal block.
- Designed in Australia.
- 5 Year Warranty

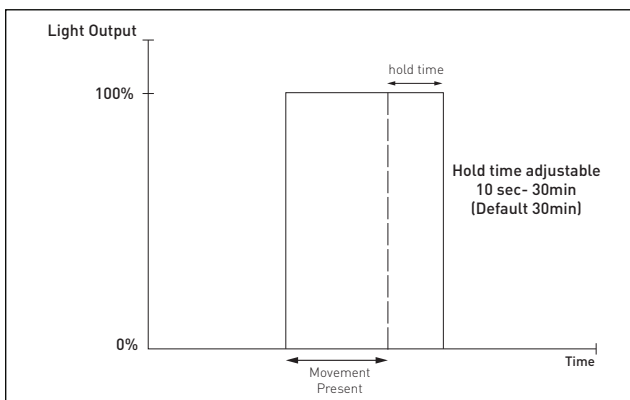
DIMENSIONS



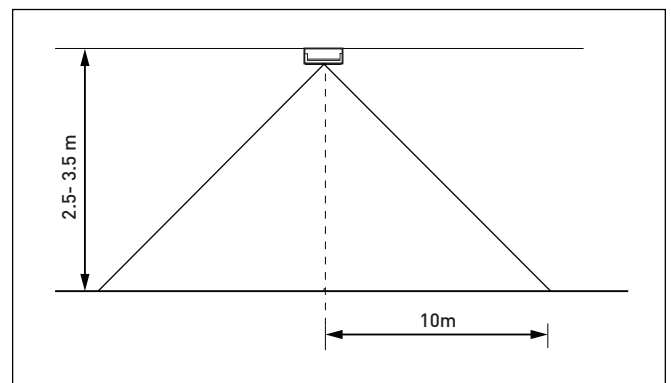
Length	EM (L2)
L6	680
L12	1280
L15	1580

Note: All dimensions are in mm.

ON/OFF SENSOR FUNCTION



SENSOR DETECTION RANGE



Economy LED Batten- Galaxy version

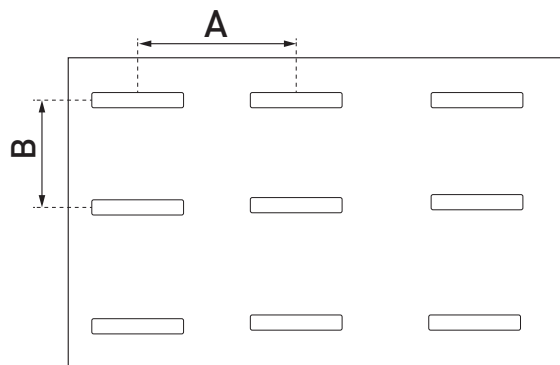
CAT. NO. 659320GA, 659321GA, 659322GA, 659323GA, 659324GA, 659325GA



ACCESSORIES

Cat. No.	Description
659402	Eco LED Batten L6 Wire Guard - White
659403	Eco LED Batten L12 Wire Guard - White
659404	Eco LED Batten L15 Wire Guard - White

SPACING TABLE



Maximum spacings between luminaires for 0.2 lux (Australia)

Mounting Height (m)	2.4	2.7	3.0	3.3	3.6	4.0
A	13.2	14.8	16.5	18.1	19.8	22.0
B	13.2	14.8	16.5	18.1	19.8	22.0

As per AS/NZS 2293:2018

Maximum spacings between luminaires for 1.0 lux (New Zealand)

Mounting Height (m)	2.4	2.7	3.0	3.3	3.6	4.0
A	11.5	11.8	12.1	12.3	12.5	12.7
B	11.5	11.8	12.1	12.3	12.5	12.7

As per AS/NZS 2293:2018

Legrand - Australia
1300 369 777
www.legrand.com.au
ABN 31 000 102 661

Legrand - New Zealand
0800 476 009
www.legrand.co.nz

Refer to your group buying office, Legrand Sales Representative or Legrand Sales office for pricing.

Please note: specifications are subject to change without prior notice.

