

Datasheet

Economy LED Batten- MAINS



CAT. NO. 659320MA, 659321MA, 659322MA, 659323MA, 659324MA, 659325MA



Cat. No.	659320MA	659321MA	659322MA	659323MA	659324MA	659325MA
Description	L6 LED Batten		L12 LED Batten		L15 LED Batten	
Nominal Input Voltage	230 - 240 V a.c. 50 Hz					
Power Consumption (W)	20		36		50	
Light Source	Selectable LED (3000K / 4000K / 6000K)					
Inrush Current (A)	23		31		38	
Driver Type	Fixed output / Non-Dimmable					
Movement Sensor	N/A	Yes	N/A	Yes	N/A	Yes
CRI	>80					
Light Source Life (LSL)	50,000 hours @ L70					
Chromaticity Tolerance	MacAdam Ellipse: 4 SDCM					
Luminaire Output (lm)	3000 K	1800	3700	4800		
	4000 K	2100	4300	5500		
	6000 K	2000	4000	5200		
Luminaire Efficacy at 4000K (lm/W)	105		119		110	
Power Factor	> 0.9					
IK Rating	IK06					
IP Rating	IP20					
Body Construction	Zinc steel (powder coated)					
Diffuser Construction	Opal Polycarbonate					
Product Weight (Kgs)	L6: 1.6, L12: 2.9, L15: 3.6					
Compliance	AS/NZS 60598					
Product Marking	 					

Economy LED Batten- MAINS

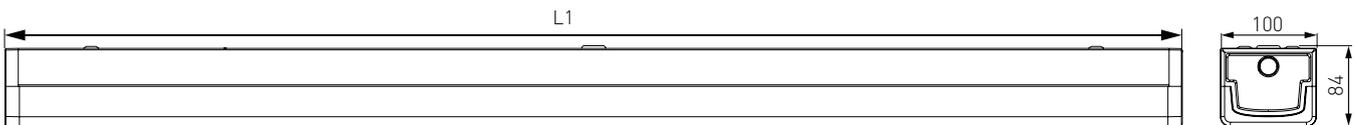
CAT. NO. 659320MA, 659321MA, 659322MA, 659323MA, 659324MA, 659325MA



FEATURES

- Available in 2 foot, 4 foot or 5 foot lengths.
- Tri-colour LEDs (3000K/4000K/6000K) selection.
- Available with integrated ON/OFF microwave sensor option.
- Large terminal block.
- Designed in Australia.
- 5 Year Warranty

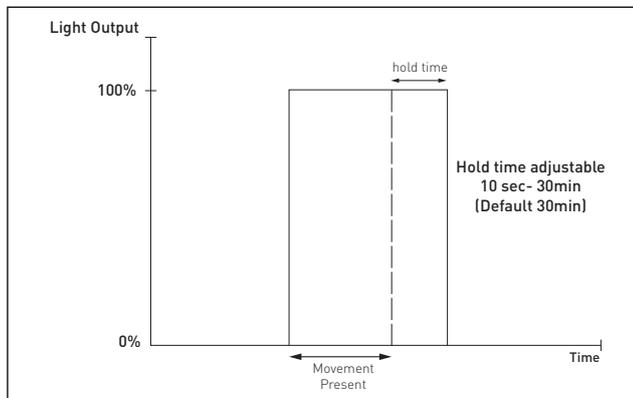
DIMENSIONS



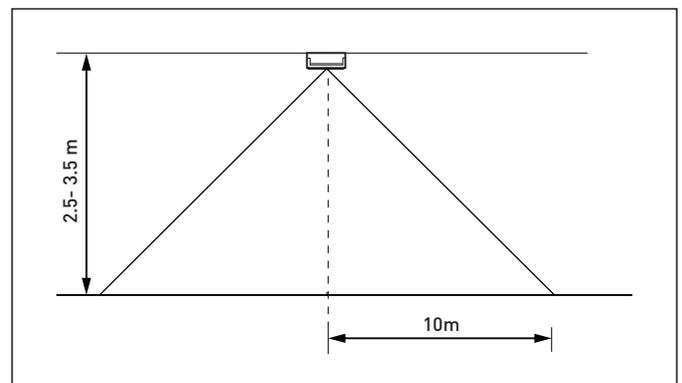
Length	Mains (L1)
L6	630
L12	1230
L15	1530

Note: All dimensions are in mm.

ON/OFF SENSOR FUNCTION



SENSOR DETECTION RANGE



ACCESSORIES

Cat. No.	Description
659402	Eco LED Batten L6 Wire Guard - White
659403	Eco LED Batten L12 Wire Guard - White
659404	Eco LED Batten L15 Wire Guard - White

Legrand - Australia
1300 369 777
www.legrand.com.au
ABN 31 000 102 661

Legrand - New Zealand
0800 476 009
www.legrand.co.nz

Refer to your group buying office, Legrand Sales Representative or Legrand Sales office for pricing.

Please note: specifications are subject to change without prior notice.



LE13425AA

12/2021