

## Specification

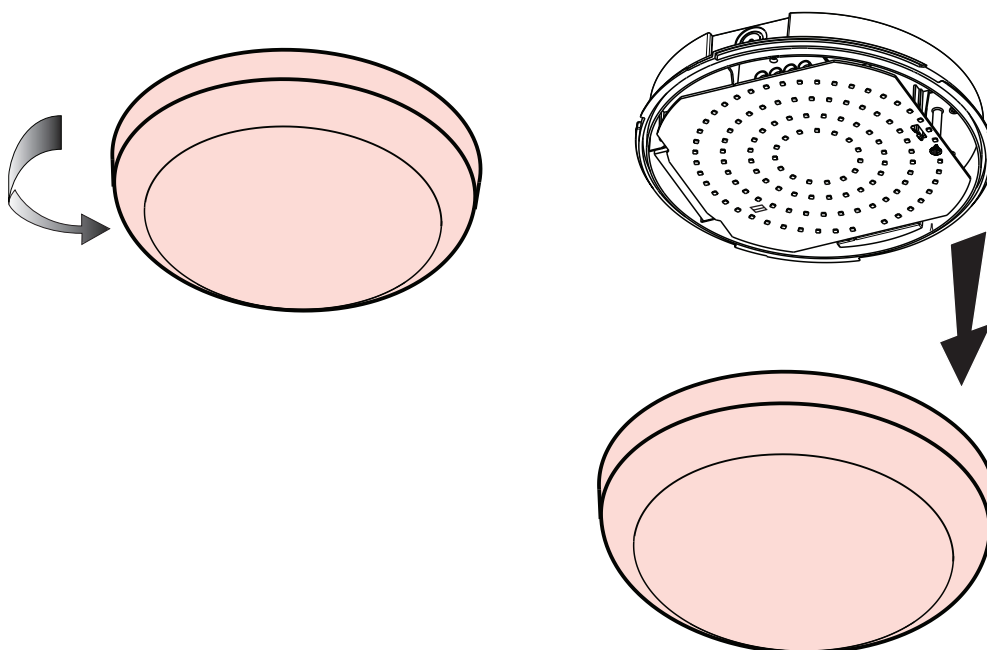
Nominal Input Voltage	230 -240V a.c. 50Hz
Power Factor	>0.8
IP Rating	IP44

## Installation

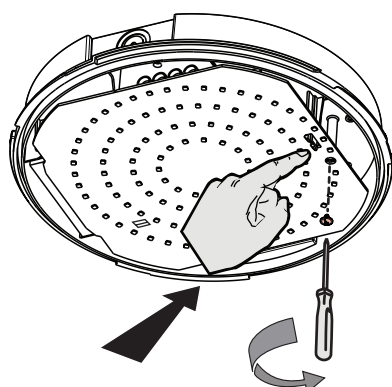
Disconnect mains supply before installing, servicing or maintaining the luminaire.

The Economy LED Oyster can be installed on a Wall or Ceiling.

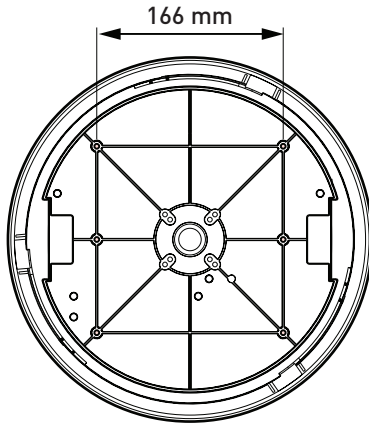
1. Open the unit by rotating the cover anti-clockwise.



2. Remove the locking screw and open the gear tray for mounting.

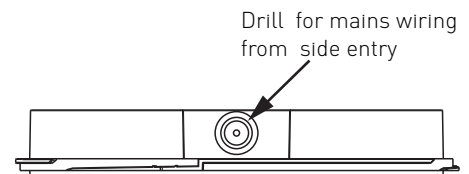


3. Fix the unit to the Ceiling or Wall in the mounting positions using the supplied screw kit.



## Wiring

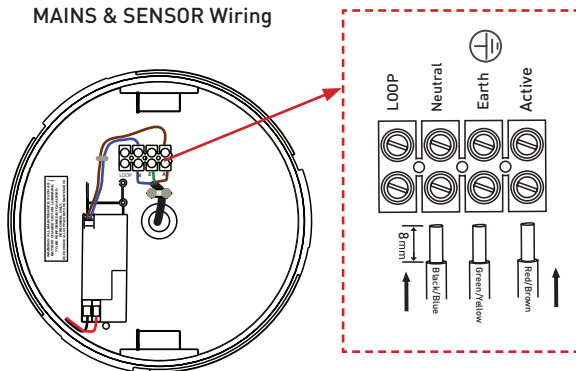
- Fit the power cable through the cable entry point using the gland provided. Use 10mm diameter cable to ensure that IP44 is maintained.



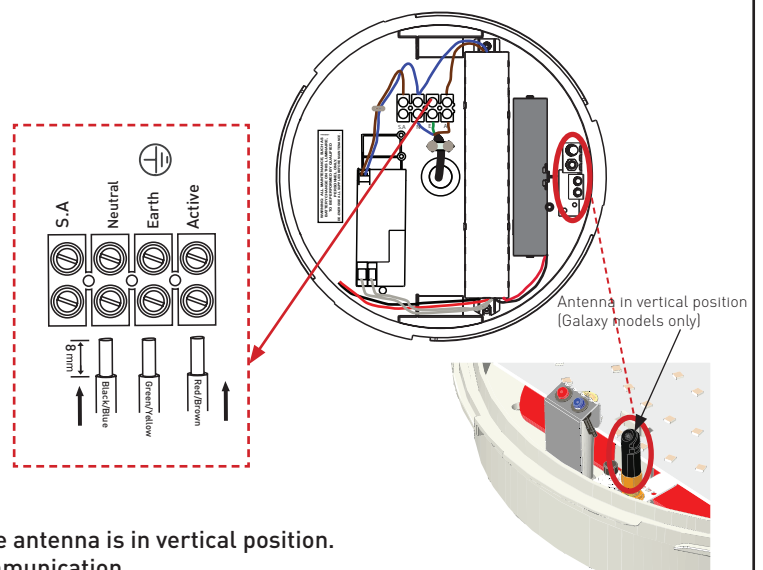
**Note:** Do not use conduit for side entry

- Connect the mains cable to the terminal block (A -Active, N- Neutral, E- Earth) respectively. Secure the cable with provided cable clamp.
- For DALI models, connect the DALI cable to the two terminals marked "D+". If the DALI cable is separate from the power cable, an additional cable gland will be required.

### MAINS & SENSOR Wiring



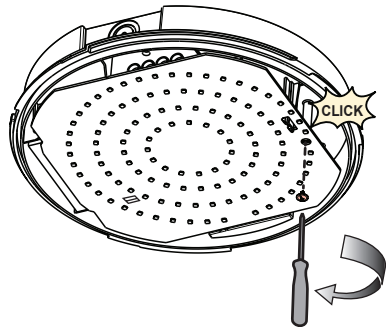
### EM Model Wiring



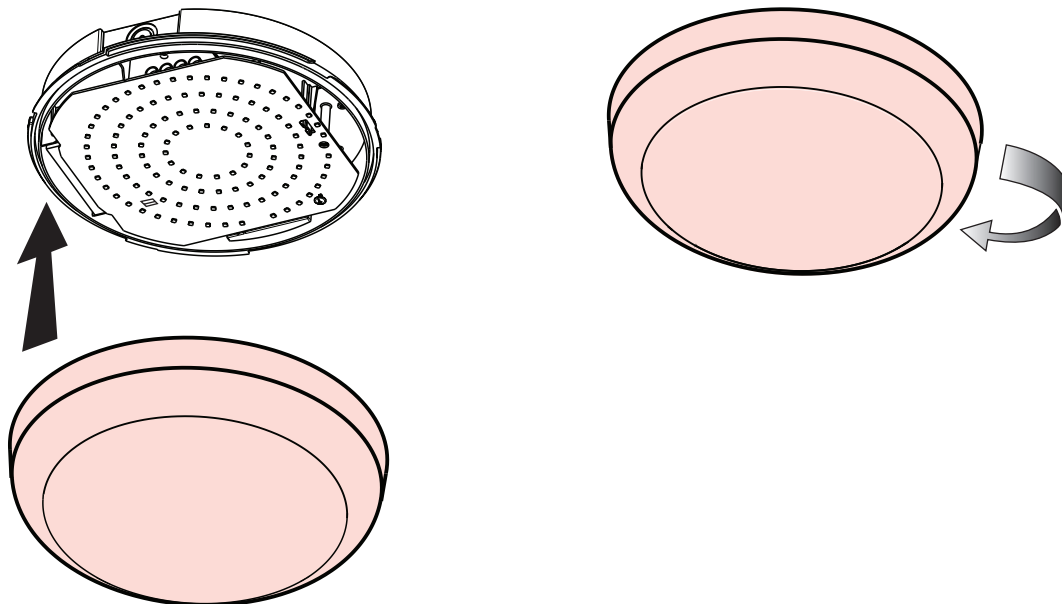
- IMPORTANT:** For wireless emergency versions ensure antenna is in vertical position. Failure to do this may result in poor communication.

- For emergency models, an additional Switched Active terminal is provided to allow the luminaire to be switched ON and OFF in mains mode. For non-maintained operation, do not connect the Switched Active terminal.

- Once the wiring is done, close the gear tray and fix the locking screw to hold into position.

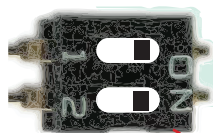


- Close the diffuser and twist lock into position by rotating the cover clockwise (ensure the cover is secured properly).

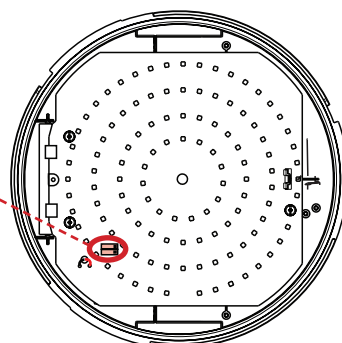
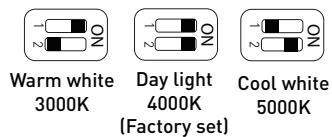


## Changing Colour Temperature

By default the Economy LED Oyster is set to 4000K LED colour temperature. Dip switch located on the gear tray can adjust the colour temperature to 3000K, 4000K or 5000K.

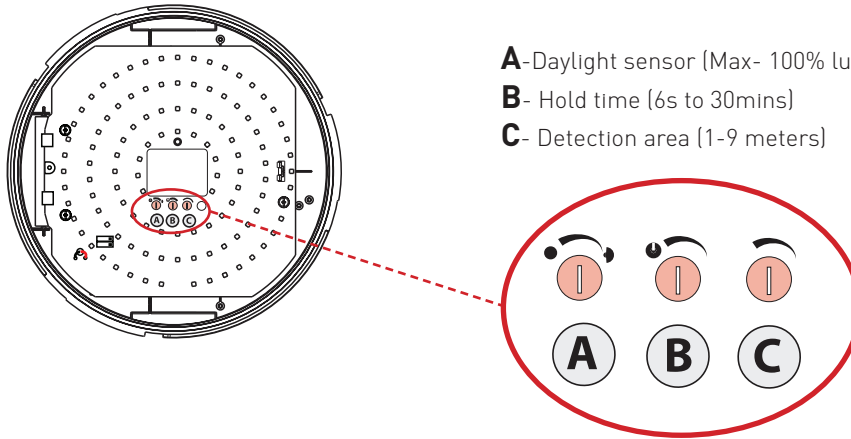


Switch for LED Colour Setting



## For ON/OFF movement sensor models only

The light turns ON when movement is detected and turns OFF after a certain period of time has elapsed with no movement. The user can change the following settings by turning the 3 selector switches with a small flat-head screwdriver.



- A**-Daylight sensor (Max- 100% lux and the min. is 2lux)
- B**- Hold time (6s to 30mins)
- C**- Detection area (1-9 meters)

### A. Light Level Setting

This setting determines the ambient light level below which the movement sensor will operate. The minimum setting is approximately 2 lux (selector switch turned fully anticlockwise) and the maximum setting is approximately 1450 lux (selector switch turned fully clockwise). To enable the sensor to operate during the day, select the maximum setting. When the minimum setting is selected, the sensor will operate at night only and the light will remain OFF during the day.

**Default factory setting = Maximum light level (day operation)**

### B. Time Setting

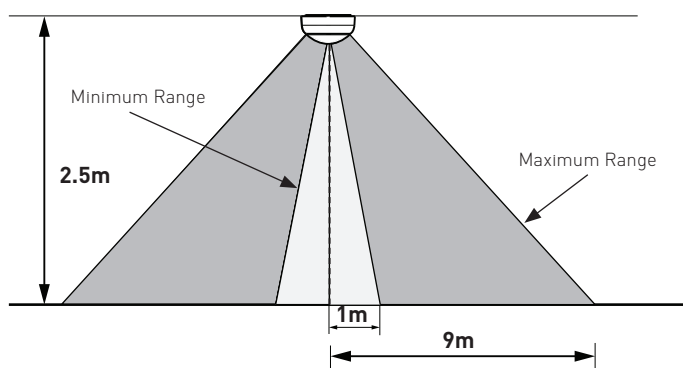
The light can be set to stay ON for any period of time between approximately 6 seconds (selector switch turned full anti-clockwise) and 30 minutes (selector switch turned fully clockwise).

**Default factory setting = 30 minutes**

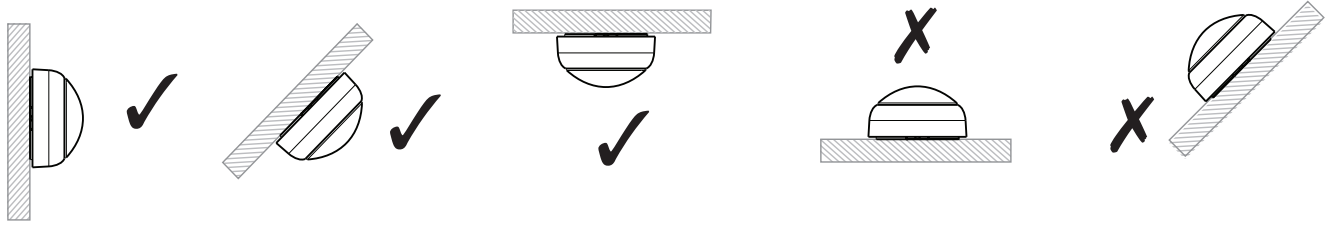
### C. Detection Range Setting

When installed at a height of 2.5m, turning the selector switch to the minimum setting will give a circular detection range of 1m radius. Turning the selector switch to the maximum setting will give a circular detection range of 9m radius.

**Default factory setting = Maximum range**



## Installation positions to maintain IP Rating



## Product Notes

1. This product must be installed and used as per these instructions.
2. This product must be installed by a licensed electrician.
3. An IP rating of IP44 do not allow to use under the exposed weather to rain / sun.
4. The IP rating of this product is only valid when all applicable seals, glands and their appropriate cables are installed correctly.
5. This product must be securely attached to a suitable structural member of the installation.
6. This product should only be cleaned with a damp cloth. Cleaning agents and solvents should not be used.
7. Severe electromagnetic interference from other products may cause malfunction of this product.
8. This product is not suitable for marine environments such as areas subject to salt spray and/or mist.
9. This product is not suitable for installation in hazardous and/or corrosive areas.
10. Extended exposure to UV rays (such as exposure to direct sunlight) may cause discolouration of this product.
11. The material in this product may vary in colour from batch to batch. Colour matching from one batch to another cannot be guaranteed.
12. This product has been designed to operate in ambient temperatures 10°C to 40°C.
13. Any antenna in this product must be orientated in the vertical position to ensure good RF communication.
14. This product has no user serviceable parts and no attempt should be made to repair this product. For repair please contact Legrand.
15. This product utilises intellectual property in the form of registered designs, trademarks, and/or patents. Such intellectual property remains the property of Legrand in all cases.
16. Legrand reserves the right to modify the specifications of this product at any time.

## Warranty

Legrand guarantees this lighting unit for a period of 5 years from date of despatch, solely against failure arising from faulty materials or workmanship, and provided that the unit has been stored, shipped, installed, used and maintained in accordance with the manufacturers instructions and relevant standards. Consult Legrand Conditions of Sale for details on warranty liability. If this lighting unit is faulty, return the unit freight pre-paid to your point of purchase, or contact Legrand.

## Customer Service

For all Customer Service and Technical Support enquires please call Monday to Friday during business hours.

Legrand Australia  
1300 369 777  
[www.legrand.com.au](http://www.legrand.com.au)

Legrand New Zealand  
0800 476 009  
[www.legrand.co.nz](http://www.legrand.co.nz)

ABN: 31 000 102 661

