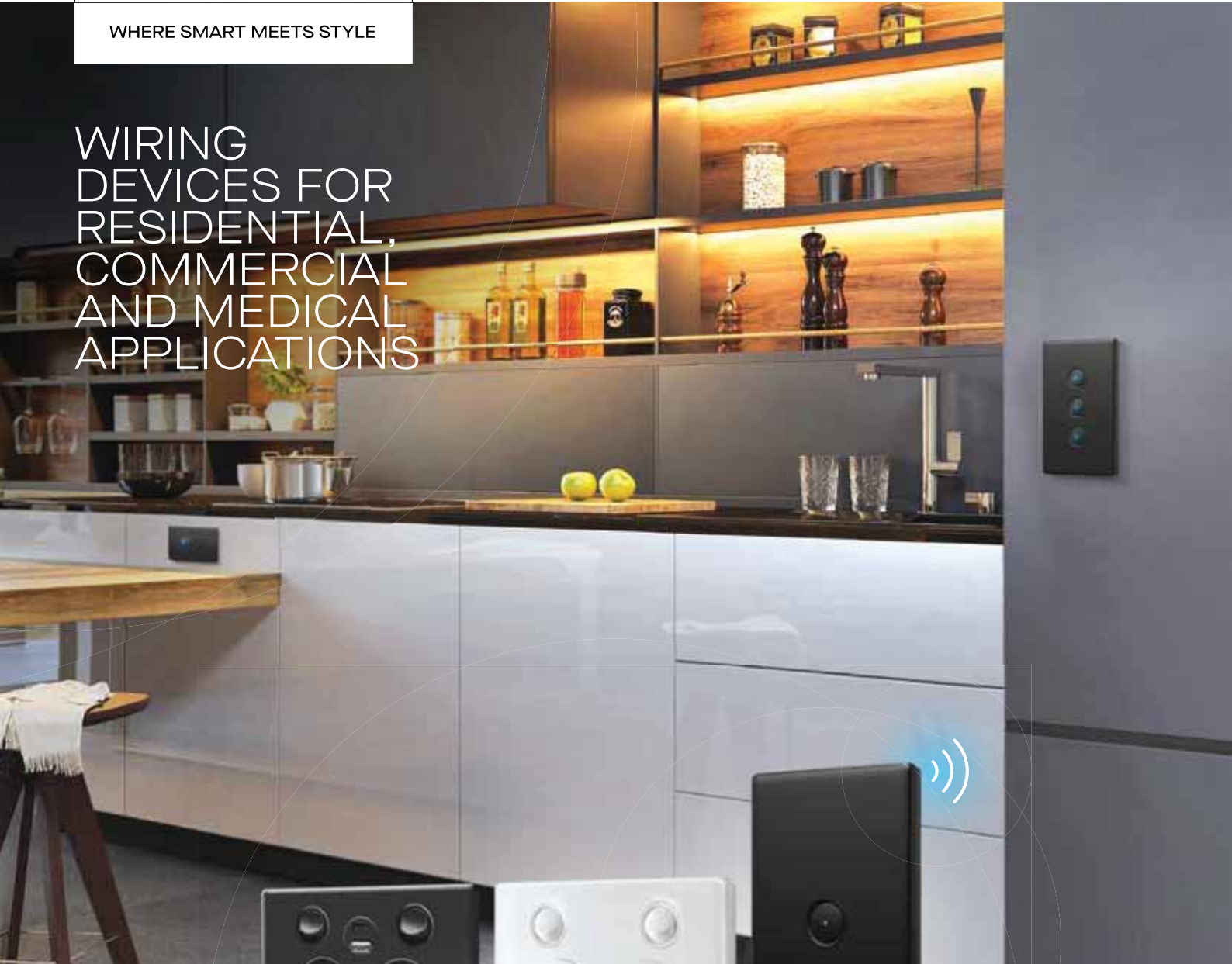


EXCEL
life

WHERE SMART MEETS STYLE

WIRING
DEVICES FOR
RESIDENTIAL,
COMMERCIAL,
AND MEDICAL
APPLICATIONS



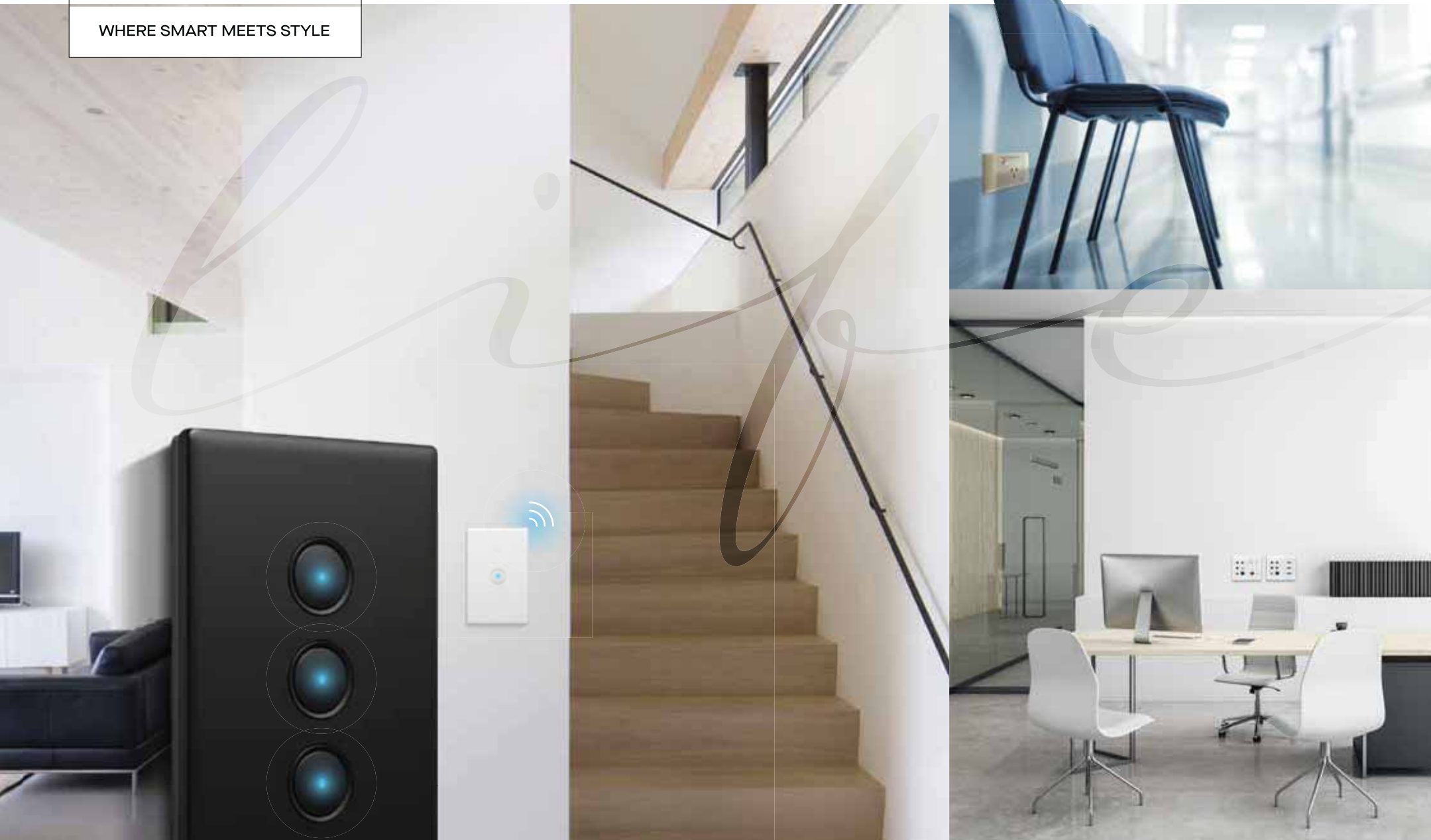
CATALOGUE
PAGES
INSIDE

THE GLOBAL SPECIALIST
IN ELECTRICAL AND DIGITAL BUILDING INFRASTRUCTURES

 **legrand**[®]

EXCEL *life*

WHERE SMART MEETS STYLE



Excel Life,

the mightiest and most comprehensive range of electrical accessories for Residential, Commercial and Medical applications. Discover our expanded range, now including Excel Life Smart and Matt.

CONTENTS

- Make It Smart **4**
- Where Design Meets Style **6**
- Solutions For Commercial **8**
- Fast & Safe Powerpoints To Install **10**
- Large Selection Of Switches **12**
- Innovative Charging Solutions **14**
- Catalogue Pages Excel Life Smart Range **16**
- Catalogue Pages Excel Life Dedicated Range **20**
- Catalogue Pages Excel Life Common Range **34**
- Catalogue Pages Excel Life Secure Series **42**
- Solutions For Medical **44**
- Catalogue Pages Excel Life Medical Range **45**
- Technical Data Sheets **53**



MAKE IT SMART

SIMPLIFY DAILY LIFE



Introducing **Excel Life Smart** - a collection of smart wiring devices second to none. Combining local design and engineering with world-class smart home technology by Netatmo, this collection of switches and powerpoints blends seamlessly with existing Excel Life installations with the added convenience of full home control using a wall switch, smart phone or voice via a digital assistant.

Enjoy convenience, security and greater energy efficiency without the need to replace existing lighting or appliances.

Smarter than your average switch!

ENERGY MANAGEMENT

EASY TO INSTALL



EXCEL LIFE DESIGN
BASED ON 240V a.c. WIRING



INTEGRATED SMART
TECHNOLOGY

FUTURE-PROOF TECHNOLOGY

COMPATIBLE
WITH ALL DIGITAL
ASSISTANTS



DATA SAFETY



LEGRAND OWNED CLOUD



HIGH-LEVEL
ENCRYPTION

"RELOCATE ME
ANYWHERE"



2 GANG SWITCH
EWN770/2WE



SINGLE GPO
EWN787MB



WIRELESS SWITCH
EWNWS1MW

EXCEL
life

M A T T

WHERE DESIGN MEETS STYLE

Performance and aesthetic combine to create the **Excel Life Matt** range of wiring devices. Featuring a luxurious matt texture, they not only look striking, but the matt finish makes them easier to clean and maintain.

Complement matt surfaces, tapware or appliances to create a designer finish, or be bold and add contrast.

Outshine with Matt!

DISCOVER THE
EXCEL LIFE MATT
COLLECTION



EM883MB



ED770/6MB



ED777USB2IMB



ED770/3MW



EM400A2PMW



ED787MW

SOLUTIONS FOR COMMERCIAL



EFFICIENCY TIPS

Try these skirting sensor lights in corridors
See page 38



EC511WE

Fan controller with Time-delay
Ideal for conserving energy, automatically turns fan off after chosen time.
See page 42



ES650TD2WE

Secure Plate Switches
Ideal for areas prone to vandalism
See page 42



ES770/26PLWE + 2 x EM770WE

International Standard Shaver Socket
See page 38



EC798WE

MECHANISMS FOR EVERY PROJECT IMPROVING PRODUCTIVITY AND CONVENIENCE

Whether your latest project is an office, restaurant or retail store, Excel Life has everything you need to facilitate and improve the behind-the-scenes of businesses and organisations - it offers the most comprehensive range of functions, in one range, on the market.

Product Environmental Profiles (PEPs) are available for key products - outlining materials, manufacturing, distribution, usage and end-of-life product management.

CUSTOMISE THE PERFECT PANELS FOR STAFF-ONLY AREAS
See page 41



ECCW2HPLWE + 2 x EC770/66PLWE + EM800BPBLWE + EM800BPRDWE + EMRCARDWE + EM820BL1WE + EMRJ45C6WE + EMRJ45C6BU + 2 x EM400TRWE + 2 x EMFCWE + EM770WE + EM770CARED

ECCW2HPLWE + EC770/66PLWE + EM800BPBLWE + EM800BPRDWE + EMRCARDWE + EMRCAYELWE + EMRJ45C6WE + EMRJ45C6BU + ECFRAME + 2 x EM910HDMIWE + EM910USBWE

Multimedia Panels
Data, video and audio distribution for meeting and function rooms
See page 41

EXCEL
life

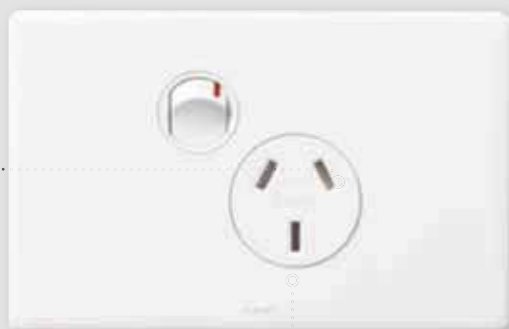
ORIGINAL

**FAST & SAFE
POWERPOINTS
TO INSTALL**

**METICULOUSLY
ENGINEERED
POWERPOINTS**

We've taken the time to look at single and double powerpoints to make them fast and safe to install. Featuring funnel shaped terminals and super-hard deep screw heads, these powerpoints will withstand the force of any drill.

SINGLE POWERPOINT

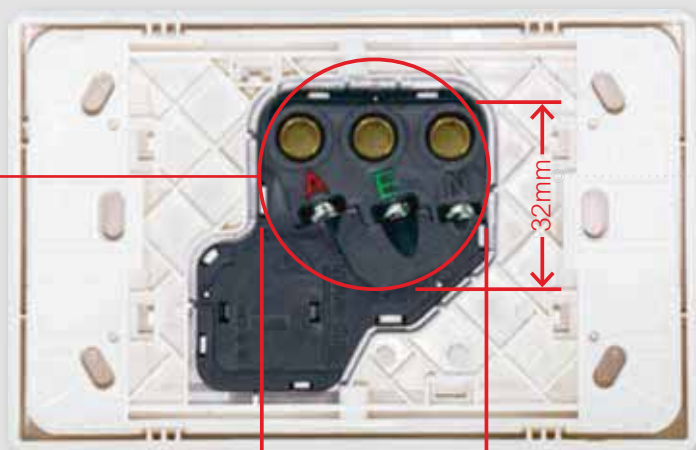


ED787WE

**Inbuilt
Child Safety
Shutters**

Ensures
no accidental
contact with live
components

Easy Install in Cabinetry
Fits into 1 x Ø40mm hole



38mm

Small Footprint
Only 38mm wide

DOUBLE POWERPOINT

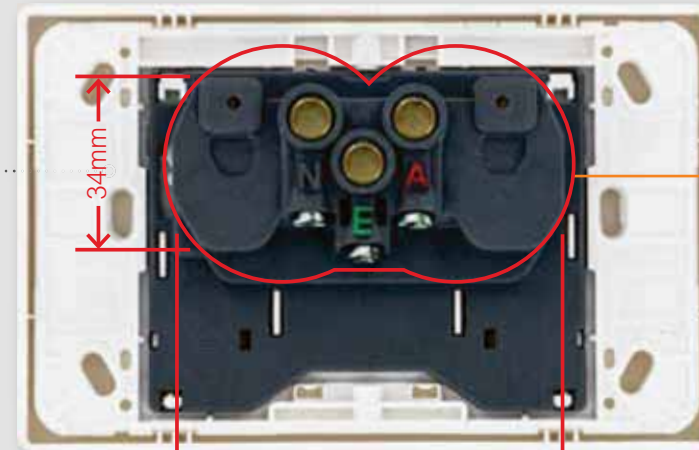


ED777WE

**Inbuilt
Child Safety
Shutters**

Ensures
no accidental
contact with live
components

Easy Install in Cabinetry
Fits into 2 x Ø40mm holes



34mm

66mm

Small Footprint
Only 66mm wide

INNOVATIONS ACROSS THE SINGLE AND DOUBLE POWERPOINTS

Guided Cable Terminals



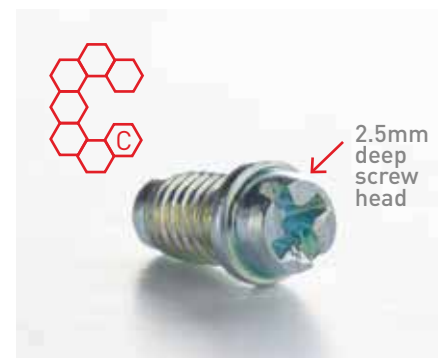
Over-Sized Mounting Holes



Raised Insulation Barriers



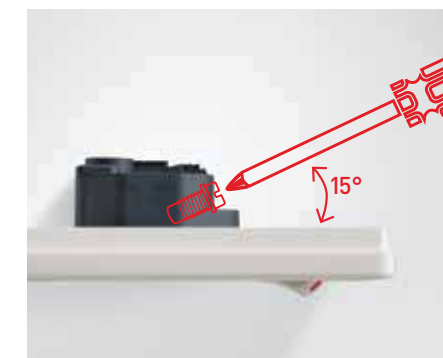
Carburised Steel Screws



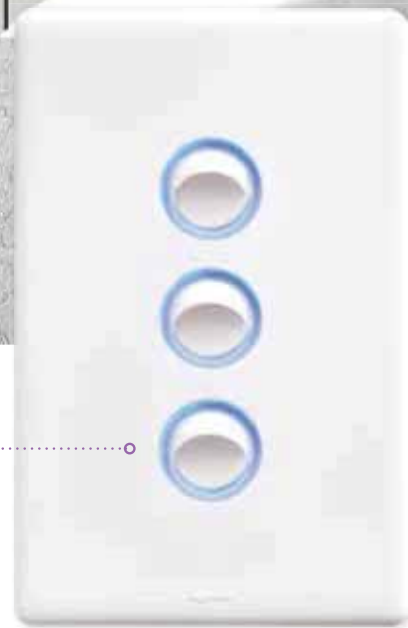
Captive Screws



Ergonomically Angled Screws



LARGE SELECTION OF SWITCHES



ILLUMINATED LED

ILLUMINATED LED rings add a contemporary tech feel. They can be wired so they are always illuminated, or only when the switch is either in the ON or OFF position

ED770/3WE + 3 x EM770LEDWE

To create rockers with the illuminated LED rings, add the EM770LEDWE mechanism to any standard 16A or 20A EM770 rocker switch.



ED770/3WE



3 x EM770LEDWE



ED770/3WE + 3 x EM770LEDWE



Program LEDs red or blue

Easy programming to set minimum and maximum brightness levels

ED770/4GPLWE + 4 x EM400A2PWE + ED770/4PLDI

SUPER SMOOTH DIMMING

Enjoy the 2 & 3 wire, flicker-resistant all load dimmers. They're LED friendly and feature overload protection. They work brilliantly with slave switches for multi-way dimming in large rooms, stairwells and hallways.

Use with HPM DLI or LDL Tri-colour series LED downlights for smooth dimming.

INNOVATIVE
CHARGING SOLUTIONS



FASTEST USB POWERPOINTS

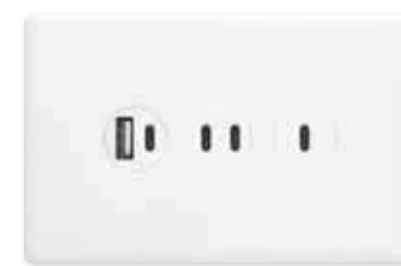
In this modern world, speed counts. Our USB powerpoints charge at 3A. They have been designed to charge two smartphones simultaneously or one tablet at their maximum speed.



ED777USB2ACWE

FUTURE-PROOF YOUR CHARGING

Our Hybrid Type A+C charger allows the use of Type-A USB charging which is currently the standard. It also includes a Type-C port for newer electronics such as Apple & Samsung devices



ED770/36PLWE + EMUSB2ACWE + EMUSB2CWE + EMUSB1CWE

MAKE A MEGA USB CHARGING STATION

Add to kitchen pantries, nooks and studies for a tidier charging solution



ED777USB2IACWE

EASY RETROFIT

This double powerpoint with Integrated USB makes wall boxes and masonry applications a breeze. Available in dual Type A or Type A+C



MOVING TOWARD USB-C

Stay powered up, with our Supercharged Single Type C 60W, the fastest wall USB charger on the market.

Designed to be capable of charging larger electronic devices, such as laptops or gaming consoles.

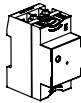
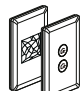


MUST BE ORDERED FOR ANY CONNECTED INSTALLATION

STEP 1: Gateway or Starter kit


412181 EWNSKITWE

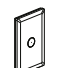
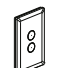
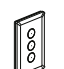
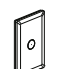
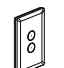
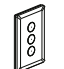
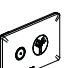
Used to control your home remotely (lighting and electrical appliances) using a smartphone via the Home + Control App and/or voice control (via a voice assistant). Must be ordered for any connected installation. The individual connected products can be added to the gateway or starter kit. 2.4GHz Wi-Fi connection required.

Pack	Cat No.	Gateway
1	412181	 <p>Used to create a connected installation. - 1 Gateway 240V a.c. Wi-Fi 2.4GHz 802.11 b/g/n Zigbee 2.4GHz to 2.4835GHz. DIN rail mounting. 2 modules DIN.</p>
		Starter kit Used to create a connected installation Includes: - 1 Gateway 240V a.c. Wi-Fi 2.4GHz 802.11 b/g/n Zigbee 2.4GHz to 2.4835GHz. Supplied with support frame, grid & plate. - 1 Wireless master switch with preset scenarios which can be customised in the Home + Control App. Supplied with CR2032 3V battery for power supply and 4 removable stickers for wall installation. LED function for low battery indication. Supplied with support frame and coverplate. Zigbee 2.4GHz to 2.4835GHz
1	EWNSKITWE	 ○ White
1	EWNSKITMW	○ Matt White
1	EWNSKITMB	● Matt Black

STEP 2: Connected products


EWN770/1WE EWN770/3MW EWNDIM1MW EWNDIM2MB EWN787MW

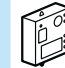

Used to complete your connected installation, requires prior installation of a gateway or starter kit.

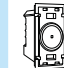




Pack	Cat No.	Smart devices - Wired (240V a.c.)
		240V a.c. 3 wire Compatible with most traditional and LED lighting loads Zigbee 2.4GHz to 2.4835GHz Horizontal or Vertical orientation
		Smart switch Max. load 100W
1	EWN770/1WE	 ○ White - 1 gang
1	EWN770/1MW	○ Matt White - 1 gang
1	EWN770/1MB	● Matt Black - 1 gang
1	EWN770/2WE	 ○ White - 2 gang
1	EWN770/2MW	○ Matt White - 2 gang
1	EWN770/2MB	● Matt Black - 2 gang
1	EWN770/3WE	 ○ White - 3 gang
1	EWN770/3MW	○ Matt White - 3 gang
1	EWN770/3MB	● Matt Black - 3 gang
		Smart dimmer Max. load 150W Dimmer mode and LED locator can be activated in the Home + Control app.
1	EWNDIM1WE	 ○ White - 1 gang
1	EWNDIM1MW	○ Matt White - 1 gang
1	EWNDIM1MB	● Matt Black - 1 gang
1	EWNDIM2WE	 ○ White - 2 gang
1	EWNDIM2MW	○ Matt White - 2 gang
1	EWNDIM2MB	● Matt Black - 2 gang
1	EWNDIM3WE	 ○ White - 3 gang
1	EWNDIM3MW	○ Matt White - 3 gang
1	EWNDIM3MB	● Matt Black - 3 gang
		Smart single powerpoint Used to control electrical appliances remotely Can be paired with one or more wireless switch to create a controlled socket 10A 240V a.c. Measures instantaneous power and monitors daily and monthly consumption, plus sends configurable notifications (fault, consumption, etc) Zigbee 2.4GHz to 2.4835GHz
1	EWN787WE	 ○ White
1	EWN787MW	○ Matt White
1	EWN787MB	● Matt Black

Red catalogue number: new product

STEP 2: Connected products


574243 EWNM770WE EWNMDIMMW EWN770/3GPLMB

Pack	Cat No.	Smart devices - Wired (240V a.c.)
		Smart micromodule Used to provide connected lighting 300W, with neutral Can be controlled by home + control app, smart auxiliary switch, momentary switches or wireless switches To be installed close to the lighting load Zigbee 2.4GHz to 2.4835GHz
1	574243	
		Connected curtain/roller blind micromodule For local and remote control of a 230 V~ roller blind (raise/lower/stop functions and level management) Compatible with roller blinds with mechanical or electronic stop, not compatible with radio-controlled roller blinds. Can be paired with one or more roller blind wireless switches. To be installed in the ceiling box or roller blind box to connect a new or existing roller blind.
1	067697	

Pack	Cat No.	Smart mechanisms - Wired (240V a.c.)
		Switch mechanisms 240V a.c. 3 wire Max. load 100W Compatible with most traditional and LED lighting loads.
1	EWNM770WE	 ○ White
1	EWNM770MW	○ Matt White
1	EWNM770MB	● Matt Black
		Dimmer mechanisms 240V a.c. 3 wire Max. load 150W Compatible with most traditional and LED lighting loads. Zigbee 2.4GHz to 2.4835GHz Dimmer mode and LED locator can be activated in the Home + Control app.
1	EWNMDIMWE	 ○ White
1	EWNMDIMMW	○ Matt White
1	EWNMDIMMB	● Matt Black
		Grid & plates To be equipped with Excel Life Smart mechanisms
1	EWN770/1GPLWE	 ○ White - 1 gang
1	EWN770/1GPLMW	○ Matt White - 1 gang
1	EWN770/1GPLMB	● Matt Black - 1 gang
1	EWN770/2GPLWE	 ○ White - 2 gang
1	EWN770/2GPLMW	○ Matt White - 2 gang
1	EWN770/2GPLMB	● Matt Black - 2 gang
1	EWN770/3GPLWE	 ○ White - 3 gang
1	EWN770/3GPLMW	○ Matt White - 3 gang
1	EWN770/3GPLMB	● Matt Black - 3 gang

Red catalogue number: new product

STEP 2: Connected products



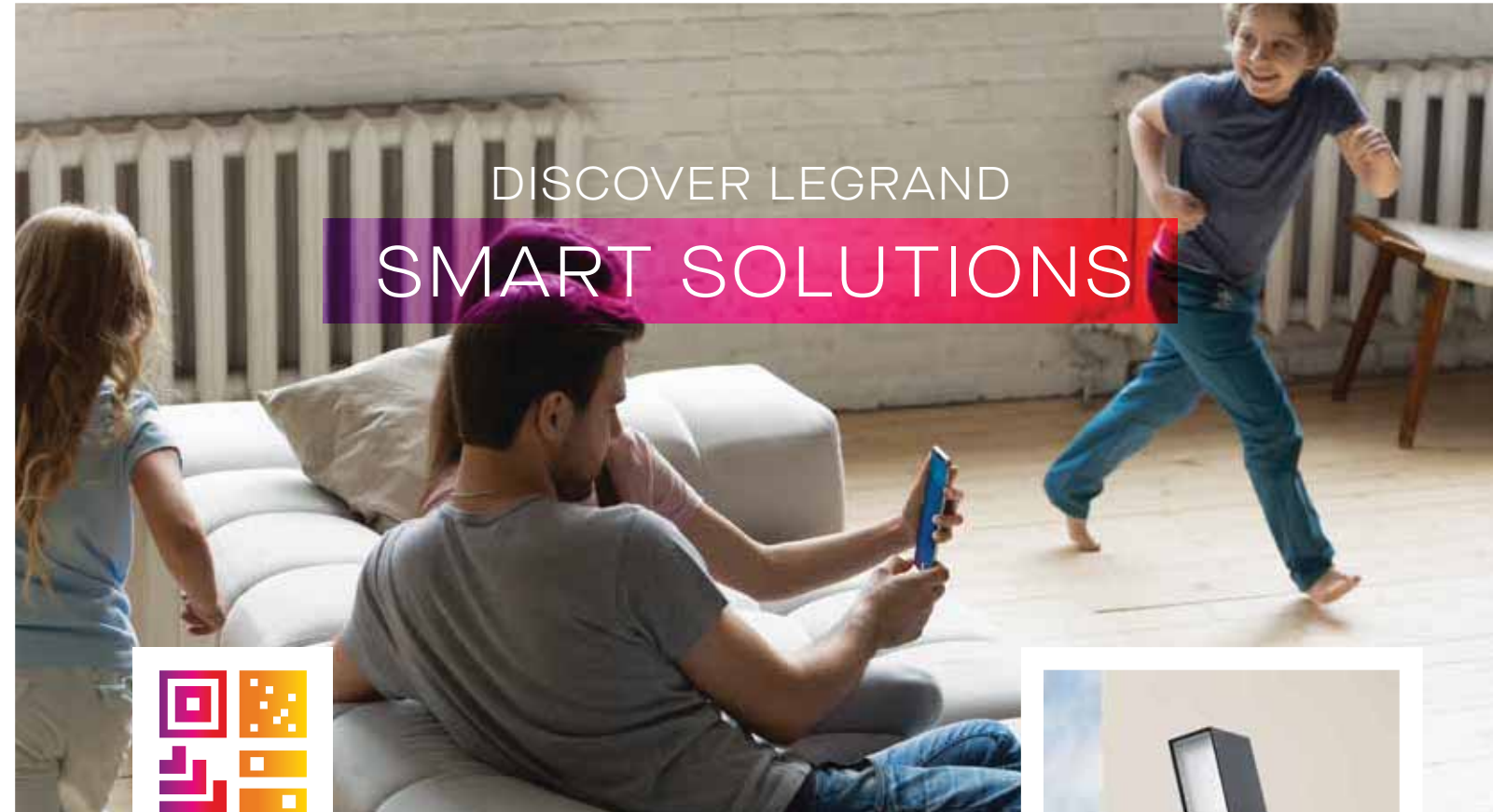
Used to complete your connected installation, requires prior installation of a Starter kit cat no. EWNKIT series or DIN-rail gateway cat no. 412181

Used to complete your connected installation, requires prior installation of a gateway or starter kit.

Pack	Cat No.	Smart wireless switches and controls
		Supplied complete with CR2032 3V battery and 4 stickers to mount on walls. Zigbee 2.4GHz to 2.4835GHz.
1	EWNWSW1WE	Wireless Switch /dimmer <input type="radio"/> White - 1 Gang - Stand-alone <input type="radio"/> Matt White - 1 Gang - Stand-alone <input checked="" type="radio"/> Matt Black - 1 Gang - Stand-alone
1	EWNWSW1MW	
1	EWNWSW1MB	
1	EWNWCWE	<input type="radio"/> White - 1 Gang - Clip-in grid <input type="radio"/> Matt White - 1 Gang - Clip-in grid <input checked="" type="radio"/> Matt Black - 1 Gang - Clip-in grid
1	EWNWCMW	
1	EWNWCMB	
1	067694	Wireless auxiliary switch Allows to transform a mechanical 2-way switch into a wireless on/off switch. Small size for easy integration into the wall box To be paired with one connected switch, micro-module, socket outlet Supplied with CR2032 3V long-life battery for powersupply
1	574252	Motion sensor Allows to control up to 20 wired switches, micromodules and socket outlets Easy pairing by tapping the wired products Supplied with 2 x AA battery For indoor and outdoor use Recommended distance between 2 sensors: 6 m Recommended installation height: 2.5 m Time delay adjustable from 1 to 30 min Range: 8 m Detection angle: 140° Sensor range adjustable from 2 m to 8 m Light level threshold adjustable from 1 to 1000 lux

Pack	Cat No.	Wireless - Master Switch
1	EWNWMSWE	<input type="radio"/> White - Stand-alone <input type="radio"/> Matt White - Stand-alone <input checked="" type="radio"/> Matt Black - Stand-alone
1	EWNWMSMW	
1	EWNWMSMB	
1	EWNWCMSWE	<input type="radio"/> White - Clip-in grid <input type="radio"/> Matt White - Clip-in grid <input checked="" type="radio"/> Matt Black - Clip-in grid
1	EWNWCMSMW	
1	EWNWCMSMB	
1	EWNWBLIWE	Wireless Shutter/Blind Switch <input type="radio"/> White - Stand-alone <input type="radio"/> Matt White - Stand-alone <input checked="" type="radio"/> Matt Black - Stand-alone
1	EWNWBLIMW	
1	EWNWBLIMB	
1	EWNWCBLIWE	<input type="radio"/> White - Clip-in grid <input type="radio"/> Matt White - Clip-in grid <input checked="" type="radio"/> Matt Black - Clip-in grid
1	EWNWCBLIMW	
1	EWNWCBLIMB	
1	EWN1GPLWE	Grid & plates for clip-in wireless Master or Shutter/blind switches For 1 x Wireless clip-in Master switch or Shutter/blind <input type="radio"/> White <input type="radio"/> Matt White <input checked="" type="radio"/> Matt Black
1	EWN1GPLMW	
1	EWN1GPLMB	
1	EWN2GPLWE	For 1 x Wireless clip-in Master or Shutter/Blind switch + 1 x smart switch or dimmer (240V a.c.) <input type="radio"/> White <input type="radio"/> Matt White <input checked="" type="radio"/> Matt Black
1	EWN2GPLMW	
1	EWN2GPLMB	
1	EWN3GPLWE	For 1 x Wireless clip-in Master or Shutter/blind switch + 2 x smart switches or dimmers (240V a.c.) <input type="radio"/> White <input type="radio"/> Matt White <input checked="" type="radio"/> Matt Black
1	EWN3GPLMW	
1	EWN3GPLMB	

Red catalogue number: new product



INTRODUCING ELIOT: Legrand's connected devices programme that helps bring smart, energy-efficient buildings to life. With Eliot, Legrand is constantly innovating to make the connected home simpler to access and use with an ever-increasing choice of solutions.



NETATMO CAMERAS AND WEATHER STATIONS



DOOR ENTRY SYSTEMS



ARTEOR WITH NETATMO SWITCHES & SOCKETS



SMART DOWNLIGHTS



GALAXY - CONNECTED EMERGENCY LIGHTING SYSTEM

EXCEL LIFE SMART SWITCHES & SOCKETS

Light switches - dedicated plate series



Pack	Cat No.	Vertical switches 230-240V a.c.
10	ED770/1WE	Rocker mechanism SPDT 16A fluoro rated 16AX ○ White - 1 gang ● Urban Grey - 1 gang ● Black - 1 gang
10	ED770/1UG	
10	ED770/1BL	
10	ED770/1MW	
10	ED770/1MB	
10	ED770/2WE	○ White - 2 gang ● Urban Grey - 2 gang ● Black - 2 gang
10	ED770/2UG	
10	ED770/2BL	
10	ED770/2MW	
10	ED770/2MB	
10	ED770/3WE	○ White - 3 gang ● Urban Grey - 3 gang ● Black - 3 gang
10	ED770/3UG	
10	ED770/3BL	
10	ED770/3MW	
10	ED770/3MB	
10	ED770/4WE	○ White - 4 gang ● Urban Grey - 4 gang ● Black - 4 gang
10	ED770/4UG	
10	ED770/4BL	
10	ED770/4MW	
10	ED770/4MB	
10	ED770/5WE	○ White - 5 gang ● Urban Grey - 5 gang ● Black - 5 gang
10	ED770/5UG	
10	ED770/5BL	
10	ED770/5MW	
10	ED770/5MB	
10	ED770/6WE	○ White - 6 gang ● Urban Grey - 6 gang ● Black - 6 gang
10	ED770/6UG	
10	ED770/6BL	
10	ED770/6MW	
10	ED770/6MB	
10	ED770/40WE	Rocker mechanism 40A ○ White - 1 gang ● Urban Grey - 1 gang
10	ED770/40UG	
10	ED770/40DPWE	Rocker mechanism double pole 40A ○ White - 1 gang ● Urban Grey - 1 gang
10	ED770/40DPUG	
10	ED770/40DPCTPWE	Rocker mechanism double pole engraved 'COOKTOP' 40A ○ White - 6 gang ● Urban Grey - 6 gang ● Black - 6 gang
10	ED770/40DPCTPUG	
10	ED770/40DPCTPBL	

For custom engraving please contact customer service.

Red catalogue number: new product

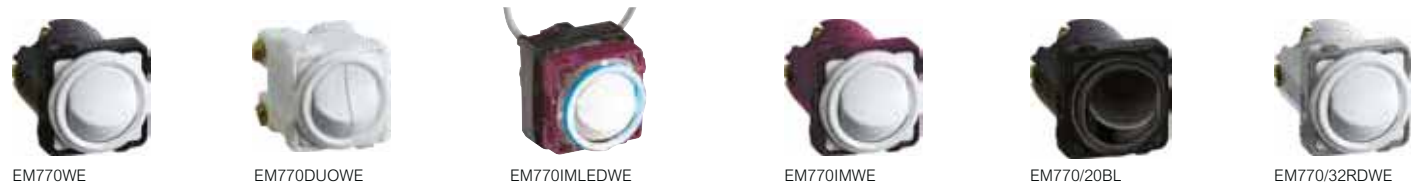
Light switches - dedicated plate series

IP66 and architrave



Pack	Cat No.	Vertical switches IP66 230-240V a.c.
10	ED770/1IPWE	Rocker mechanism SPDT 16A fluoro rated 16AX ○ White - 1 gang ● Urban Grey - 1 gang
10	ED770/1IPUG	
10	ED770/2IPWE	○ White - 2 gang ● Urban Grey - 2 gang
10	ED770/2IPUG	
10	ED770/3IPWE	○ White - 3 gang
10	ED770/4IPWE	○ White - 4 gang
5	ED770/1HIPWE	Horizontal switches IP66 230-240V a.c. Rocker mechanism SPDT 16A fluoro rated 16AX ○ White - 1 gang ○ White - 2 gang
5	ED770/2HIPWE	
10	ED770/3FLHWE	Vertical Instant Heat Controller switches 230-240V a.c. Engraved light, fan, heat switch, 10A ○ White - 3 gang
5	ED770/3FLHCWE	Engraved light, fan, heat, 10A suits ducted device BH2DWE/MS ○ White - 3 gang
10	ED770/4FLHHWE	Engraved light, fan, heat x2, 10A ○ White - 4 gang
5	ED770/4FLHHCWE	Engraved light, fan, heat x2, 10A suits ducted device BH4DWE/MS ○ White - 4 gang
10	EDA770/1WE	Architrave switches 230-240V a.c. Rocker mechanism SPDT 16A fluoro rated 16AX ○ White - 1 gang ○ White - 2 gang ○ White - 3 gang
10	EDA770/2WE	
10	EDA770/3WE	

Mechanical mechanisms



Pack	Cat No.	Rocker switch mechanisms 230-240V a.c., 16A
10	EM770WE	Single pole double throw fluoro rated 16AX M100 motor rating ○ White ● Urban Grey ● Black ○ Matt White ● Matt Black
10	EM770UG	
10	EM770BL	
10	EM770MW	
10	EM770MB	
10	EM770MWB	
10	EM770LEDWE	Single Pole double throw fluoro rated 16AX M100 switch, fitted with illuminated LED ring ○ White ● Urban Grey ● Black
10	EM770LEDUG	
10	EM770LEDWBL	
10	EM770XWE	Single pole double throw spring return ○ White ● Urban Grey ● Black
10	EM770XUG	
10	EM770XBL	
10	EM770DPWE	Double pole single throw fluoro rated 10AX ○ White ● Urban Grey ● Black
10	EM770DPUG	
10	EM770DPBL	
10	EM770DPRDWE	Double pole single throw with Red indicator fluoro rated 10AX ○ White ● Urban Grey
10	EM770DPRDUG	
10	EM770DUOWE	2 x single pole single throw fluoro rated 10AX M50 motor rating ○ White ● Urban Grey
10	EM770DUOUG	
10	EM770IMWE	Intermediate switch 10A fluoro rated 10AX ○ White ● Urban Grey ● Black ○ Matt White ● Matt Black
10	EM770IMUG	
10	EM770IMBL	
10	EM770IMMW	
10	EM770IMMB	
10	EM770IMLEDWE	Intermediate switch with illuminated Blue LED ring ○ White - 1 gang
10	EM770RDWE	Single pole double throw with Red indicator fluoro rated 16AX ○ White ● Urban Grey
10	EM770RDUG	

Red catalogue number: new product

Mechanical mechanisms



Pack	Cat No.	Mechanical push-button switches
10	EM970WE	Single Pole 2 Way switch 10A/10AX ○ White ● Urban Grey ● Black ○ Matt White ● Matt Black
10	EM970UG	
10	EM970BL	
10	EM970MW	
10	EM970MB	
10	EM970MWB	
10	EM970LWE	Single Pole 2 Way switch 10A/10AX with LED indicator ○ White ● Black/Urban Grey ○ Matt White ● Matt Black
10	EM970LUGBL	
10	EM970LMW	
10	EM970LMB	Intermediate switch 10A/10AX ○ White ● Urban Grey ● Black ○ Matt White ● Matt Black
10	EM970IMWE	
10	EM970IMUG	
10	EM970IMBL	Intermediate switch 10A/10AX with LED indicator ○ White ● Black/Urban Grey ○ Matt White ● Matt Black
10	EM970IMMW	
10	EM970IMMB	
10	EM970LIMWE	Momentary switch 10A ○ White ● Urban Grey ● Black ○ Matt White ● Matt Black
10	EM970LIMUGBL	
10	EM970LIMMW	
10	EM970LIMMB	
10	EM970BPWE	Momentary switch 10A with LED indicator ○ White ● Black/Urban Grey ○ Matt White ● Matt Black
10	EM970BPUG	
10	EM970BPBL	
10	EM970BPMW	
10	EM970BPMB	
10	EM970LBPWE	Low voltage 12V d.c. switch 5A with LED indicator White/Black/Urban Grey
10	EM970LBPUGBL	
10	EM970LBPMW	
10	EM970LBPMB	
10	EM970LELWUEUGBL	

Red catalogue number: new product

Mechanical mechanisms engraved



EM770BYPASSWE



EM770DAYNIGHTWE



EM770KITCHENWE



EM770/20HWSWE



EM770/32OVENWE

MARKED AS	Amp Rating	Mechanism Type	Pack	Cat No.				
				White	Urban Grey	Black	Matt White	Matt Black
AIR CON	16AX	SPDT	10	EM770AIRCONWE	EM770AIRCONUG	EM770AIRCONBL		
AIR CON	20A	SPDT	10	EM770/20ACWE	EM770/20ACUG			
AUTO/MAN	16AX	SPDT	10	EM770AUTOMANWE	EM770AUTOMANUG	EM770AUTOMANBL		
BED1	16AX	SPDT	10	EM770BED1WE	EM770BED1UG			
BED2	16AX	SPDT	10	EM770BED2WE	EM770BED2UG			
BED3	16AX	SPDT	10	EM770BED3WE	EM770BED3UG			
BED4	16AX	SPDT	10	EM770BED4WE	EM770BED4UG			
BYPASS	16AX	SPDT	10	EM770BYPASSWE	EM770BYPASSUG			
D/WASH	16AX	SPDT	10	EM770DWASHWE	EM770DWASHUG	EM770DWASHBL	EM770DWASHMW	EM770DWASHMB
DAY/NIGHT	16AX	SPDT	10	EM770DAYNIGHTWE	EM770DAYNIGHTUG			
DINING	16AX	SPDT	10	EM770DININGWE	EM770DININGUG			
DOOR	16A	SPDT	10	EM770XDOORWE	EM770XDOORUG			
EXHAUST	16AX	SPDT	10	EM770EXHWE	EM770EXHUG			
FAN	16AX	SPDT	10	EM770FANWE	EM770FANUG	EM770FANBL	EM770FANMW	EM770FANMB
FIRE	16AX	SPDT	10	EM770FIREWE	EM770FIREUG	EM770FIREBL		
FRIDGE	16AX	SPDT	10	EM770FRIDGEWE	EM770FRIDGEUG	EM770FRIDGEBL	EM770FRIDGEMW	EM770FRIDGEMB
GAMES	16AX	SPDT	10	EM770GAMESWE	EM770GAMESUG			
GARDEN	16AX	SPDT	10	EM770GARDENWE	EM770GARDENUG	EM770GARDENBL		
HEAT	16A	2XSPST	10	EM770DUOHTWE	EM770DUOHTUG			
HEAT	16AX	SPDT	10	EM770HEATWE	EM770HEATUG	EM770HEATBL	EM770HEATMW	EM770HEATMB
HOB	16AX	SPDT	10	EM770HOBWE	EM770HOBUG			
HOB	32A	SPST	10	EM770/32HOBWE	EM770/32HOBUG	EM770/32HOBBL	EM770/32HOBMW	EM770/32HOBMB
HOOD	16AX	SPDT	10	EM770HOODWE	EM770HOODUG	EM770HOODBL	EM770HOODMW	EM770HOODMB
HOT PLATE	32A	SPST	10	EM770/32HOTPWE	EM770/32HOTPUG			
HWS	20A	SPDT	10	EM770/20HWSWE	EM770/20HWSUG			
KITCHEN	16AX	SPDT	10	EM770KITCHENWE	EM770KITCHENUG	EM770KITCHENBL		
LIGHT	16AX	SPDT	10	EM770LIGHTWE	EM770LIGHTUG	EM770LIGHTBL	EM770LIGHTMW	EM770LIGHTMB
LIVING	16AX	SPDT	10	EM770LIVINGWE	EM770LIVINGUG	EM770LIVINGBL		
LOUNGE	16AX	SPDT	10	EM770LOUNGEWE	EM770LOUNGEUG	EM770LOUNGEBL		
MICRO	16AX	SPDT	10	EM770MICROWAVEWE	EM770MICROWAVEUG	EM770MICROWAVBL	EM770MICROWAVMW	EM770MICROWAVMB
MIRROR	16AX	SPDT	10	EM770MIRRORWE	EM770MIRRORUG	EM770MIRRORBL		
OFFICE	16AX	SPDT	10	EM770OFFICEWE	EM770OFFICEUG	EM770OFFICEBL		
OUTSIDE	16AX	SPDT	10	EM770OUTSIDEWE	EM770OUTSIDEUG	EM770OUTSIDEBL		
OVEN	32A	SPST	10	EM770/32OVENWE	EM770/32OVENUG	EM770/32OVENBL	EM770/32OVENMW	EM770/32OVENMB
PRESS	16A	SPDT	10	EM770XPRESSWE	EM770XPRESSUG			
RANGE	32A	SPST	10	EM770/32RANGWE	EM770/32RANGEUG	EM770/32RANGEBL	EM770/32RANGEMW	EM770/32RANGEMB
RESET	16A	SPDT	10	EM770XRESETWE	EM770XRESETUG			
RUMPUS	16AX	SPDT	10	EM770RUMPUSWE	EM770RUMPUSUG			
SENSOR	16AX	SPDT	10	EM770SENSORWE	EM770SENSORUG	EM770SENSORBL	EM770SENSORMW	EM770SENSORMB
TV	16AX	SPDT	10	EM770TVWE	EM770TVUG	EM770TVBL		
WASTE	16AX	SPDT	10	EM770WASTEWE	EM770WASTEUG	EM770WASTEBL	EM770WASTEMW	EM770WASTEMB
ZONE 1	16AX	SPDT	10	EM770ZONE1WE	EM770ZONE1UG			
ZONE 2	16AX	SPDT	10	EM770ZONE2WE	EM770ZONE2UG			
ZONE 3	16AX	SPDT	10	EM770ZONE3WE	EM770ZONE3UG			
ZONE 4	16AX	SPDT	10	EM770ZONE4WE	EM770ZONE4UG			

Legend

SPDT = single pole, double throw
 DPXT = double pole cross-over
 AX = fluorescent rated switch

DPST = double pole, single throw
 NC = normally closed

For custom engraving please contact customer service using
 EM770PRINTWE, EM770PRINTUG or EM770PRINTBL

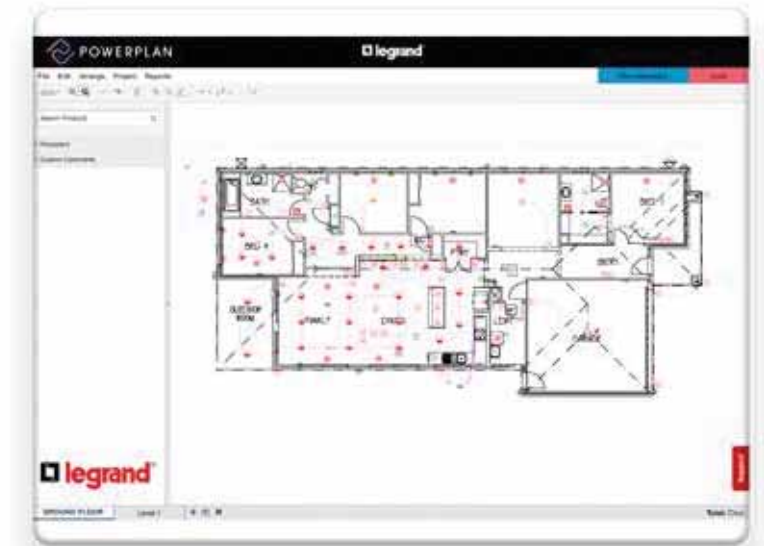
Red catalogue number: new product



POWERPLAN & EXCEL LIFE

POWERPLAN has been designed to simplify electrical consultations by creating visual floor plans which can be edited in seconds. Created with the builder in mind, it allows consultants to quickly and easily develop an electrical plan prior and during the customer's appointment, allowing for up-sell opportunities.

- Design electrical plans quickly and easily
- Import and print high quality floor plans
- Directly comment on floor plans
- Manage pricing files
- Add and filter your product database through product categories
- Generate accurate quote in seconds
- User friendly visual tool
- Reliable and secure web application



Electronic mechanisms



Pack	Cat No.	Electronic push-button switch mechanisms 230-240V a.c.
10	EM883WE	Pilot LED can be programmed to be Blue or Red See p46 for wiring diagrams Electronic push-button 5A fluoro rated 500VA ○ White ● Urban Grey ● Black ○ Matt White ● Matt Black
10	EM883UG	
10	EM883BL	
10	EM883MW	
10	EM883MB	
10	EM800SLAVEWE	Secondary control push-button ○ White ● Urban Grey ● Black ○ Matt White ● Matt Black
10	EM800SLAVEUG	
10	EM800SLAVEBL	
10	EM800SLAVEMW	
10	EM800SLAVEMB	
10	EM400A2PWE	Push-button dimmer mechanisms 230-240V a.c. Pilot LED can be programmed to be Blue or Red. See p47 for wiring diagrams Electronic push-button 350VA all-load ○ White ● Urban Grey ● Black ○ Matt White ● Matt Black
10	EM400A2PUG	
10	EM400A2PBL	
10	EM400A2PMW	
10	EM400A2PMB	
10	EM400A3PWE	Electronic push-button 350VA all-load (neutral required) ○ White ● Urban Grey ● Black ○ Matt White ● Matt Black
10	EM400A3PUG	
10	EM400A3PBL	
10	EM400A3PMW	
10	EM400A3PMB	

Red catalogue number: new product

Electronic mechanisms



Pack	Cat No.	PIR movement sensor mechanisms 230-240V a.c.	Pack	Cat No.	Illumination switch mechanisms 230-240V a.c.
10	EM803PIRWE	Can be programmed from 5 sec to 30min and 1 to 2,000 lux Automatic 3 wire 5A ○ White ● Urban Grey ● Black Manual Override 3 wire 5A ○ White ● Urban Grey ● Black	10	EM770LEDWE	See p50 for wiring diagram EM770 illumination blue LED kit ○ White ● Urban Grey ● Black
10	EM803PIRUG		10	EM770LEDUG	
10	EM803PIRBL		10	EM770LEDBL	
10	EM803PIRSWE	Programmable time delay switch mechanisms 230-240V a.c. 2 wire all load 400VA Can be programmed from 1-10 minutes in steps of 1 minute ○ White ● Urban Grey Surge protection switch mechanism 230-240V a.c., 500J ○ White ● Urban Grey	10	EM803LEDWE	White LED and coloured lenses kit ○ White ● Urban Grey
10	EM803PIRSUG		10	EM803LEDUG	
10	EM803PIRSBL		10	EM803LEDUG	
10	EM802TDWE	Can be programmed from 1-60 minutes in steps of 5 minutes ○ White ● Urban Grey	10	EMPAPS1WE	Power available and 1 gang power supplied indicator kit ○ White ● Urban Grey
10	EM802TDUG		10	EMPAPS1UG	
10	EM803TDWE	Extra low-voltage 12V d.c. push-button mechanisms With LED indicator ○ White ● Urban Grey Without LED indicator ○ White ● Urban Grey	10	EMPAPS2WE	Power available and 2 gang power supplied indicator kit ○ White ● Urban Grey
10	EM803TDWE		10	EMPAPS2UG	
10	EM803SURGEWE	Rotary dimmer mechanisms 230-240V a.c. New easy grip lower profile knob. Automatically dims if dimmer is overloaded or insufficiently derated 250VA Trailing edge ○ White ● Urban Grey 400VA Trailing edge ○ White ● Urban Grey ● Black 700VA Trailing edge ○ White ● Urban Grey 2000VA leading-edge remote dimmer ○ White ● Urban Grey Spare dimmer knobs (pkt of 5) ○ White ● Urban Grey ● Black	10	EMPAWE	Power available indicator kit (Amber) ○ White ● Urban Grey
10	EM803SURGEUG		10	EMPAUG	
10	EMELVNWE	Spare fan controller knobs (pkt of 5) ○ White ● Urban Grey ● Black	10	EMPAWE	Power supplied to 1 outlet indicator kit (Red) ○ White ● Urban Grey
10	EMELVNUG		10	EMPAUG	
10	EMELVWE	Spare fan controller knobs (pkt of 5) ○ White ● Urban Grey ● Black	10	EMPS1WE	Power supplied to 2 outlets indicator kit ○ White ● Urban Grey
10	EMELVUG		10	EMPS1UG	
10	EMELVWE	Spare fan controller knobs (pkt of 5) ○ White ● Urban Grey ● Black	10	EMPS2WE	Power supplied to 2 outlets indicator kit ○ White ● Urban Grey
10	EMELVUG		10	EMPS2UG	

Red catalogue number: new product

RJ11 CAT 3 voice sockets and RJ45 CAT 5E sockets



EMRJ11C3WE EMRJ11C3BL EMRJ45C5EBU EMRJ45C5EGR EMRJ45C6RD EMRJ45C6YE EMKEYSTONEAWE EMKEYSTONEBWE

Pack	Cat No.	RJ11 voice sockets
10	EMRJ11C3WE	Additional slot available for looping. Compatible with both Krone and IDC termination tools ○ White
10	EMRJ11C3BL	● Black
10	EMRJ11C3BU	● Blue
10	EMRJ11C3GR	● Green
10	EMRJ11C3RD	● Red
10	EMRJ11C3YE	● Yellow

Pack	Cat No.	RJ45 data sockets
10	EMRJ45C5EWE	Compatible with both Krone and IDC termination tools ○ White
10	EMRJ45C5EBL	● Black
10	EMRJ45C5EBU	● Blue
10	EMRJ45C5EGR	● Green
10	EMRJ45C5ERD	● Red
10	EMRJ45C5EYE	● Yellow

RJ45 CAT 6 data sockets and Keystone adapters



Pack	Cat No.	RJ45 data sockets
10	EMRJ45C6WE	Compatible with both Krone and IDC termination tools ○ White
10	EMRJ45C6BL	● Black
10	EMRJ45C6BU	● Blue
10	EMRJ45C6GR	● Green
10	EMRJ45C6RD	● Red
10	EMRJ45C6YE	● Yellow

Pack	Cat No.	RJ45 data sockets Cat. 6A
10	EMRJ45C6AWE	Compatible with both Krone and IDC termination tools ○ White
10	EMRJ45C6ABL	● Black

Pack	Cat No.	Keystone adapters
10	EMKEYSTONEAWE	Suits Clipsal, Leviton, Hubbell, Siemon and Krone keystone jacks ○ White
10	EMKEYSTONEAUG	● Urban Grey
10	EMKEYSTONEABL	● Black

Pack	Cat No.	Suits Panduit keystone jacks
10	EMKEYSTONEBWE	○ White
10	EMKEYSTONEBUG	● Urban Grey

Pack	Cat No.	Suits Systimax keystone jacks
10	EMKEYSTONECWE	○ White
10	EMKEYSTONECUG	● Urban Grey

Pack	Cat No.	Suits Tyco/AMP keystone jacks
10	EMKEYSTONEDWE	○ White
10	EMKEYSTONEDUG	● Urban Grey

Pack	Cat No.	Suits Molex keystone jacks
10	EMKEYSTONEEWE	○ White
10	EMKEYSTONEEUG	● Urban Grey

Pack	Cat No.	Suits Legrand LCS ² tooless jacks
10	EMKEYSTONELWE	○ White
10	EMKEYSTONELUG	● Urban Grey
10	EMKEYSTONELBL	● Black

Red catalogue number: new product

Audio and video sockets and devices



EMFFFOXWE EMSPWE EMRCARDWE

Pack	Cat No.	Audio and video mechanisms
10	EMHDMIWE	HDMI 2.0 outlet Female-to-female straight connector ○ White
10	EMFFFOXWE	Video sockets F to F TV outlet 75 ohm 3.0GHz (Foxtel approved) F30583 ○ White
10	EMFFFOXUG	● Urban Grey
10	EMFFFOXBL	● Black
10	EMPFWE	Video sockets PAL to F TV outlet – White ○ White
10	EMPFUG	● Urban Grey
10	EMPFBL	● Black
10	EMSPWE	PAL to saddle TV outlet – White ○ White
10	EMSPUG	● Urban Grey
10	EMSPBL	● Black
10	EMRCARDWE	RCA sockets RCA to RCA outlet – Red ○ White
10	EMRCARDUG	● Urban Grey
10	EMRCAWEWE	RCA sockets RCA to RCA outlet – White ○ White
10	EMRCAWEUG	● Urban Grey
10	EMRCAYELWE	RCA sockets RCA to RCA outlet – Yellow ○ White
10	EMRCAYELUG	● Urban Grey
10	EM800BPBLWE	Audio ‘Banana’ outlet Ø 4mm – Black Marking ○ White
10	EM800BPBLUG	● Urban Grey
10	EM800BPRDWE	Audio ‘Banana’ outlet Ø 4mm – Red Marking ○ White
10	EM800BPRDUG	● Urban Grey
12	EM910USBWE	HDMI and USB extensions Used with ECFRAME or EC910GPLWE, or Panel Mount Adaptors. Insert dimension 25 x 57mm USB insert with extension lead 150mm ○ White
12	EM910USBBL	● Black
12	EM910HDMIWE	HDMI insert with extension lead 150mm ○ White
12	EM910HDMIBL	● Black

Red catalogue number: new product

USB chargers



EMUSBN2CWE EMUSBN2ACWE

Pack	Cat No.	USB charger mechanisms 230-240V a.c.
12	EMUSBN2ACWE	Dual USB Charger Mechanism 3A Type A and C ○ White
12	EMUSBN2ACUG	● Urban Grey
12	EMUSBN2ACBL	● Black
1	EMUSBN2CWE	Dual USB Charger Mechanism 3A Dual Type C ○ White
1	EMUSBN2CUG	● Urban Grey
1	EMUSBN2CBL	● Black
1	EMUSB1CWE	USB charger mechanism, Type C, 60W (single port) ○ White
1	EMUSB1CUG	● Urban Grey
1	EMUSB1CBL	● Black

Grids and coverplates



Pack	Cat No.	Dedicated Plate Series grids and coverplates only
10	ED770/0GPLWE	○ White - Blank
10	ED770/0GPLUG	● Urban Grey - Blank
10	ED770/0GPLBL	● Black - Blank
10	ED770/1GPLWE	○ White - 1 gang
10	ED770/1GPLUG	● Urban Grey - 1 gang
10	ED770/1GPLBL	● Black - 1 gang
10	ED770/1GPLMW	○ Matt White - 1 gang
10	ED770/1GPLMB	● Matt Black - 1 gang
10	ED770/2GPLWE	○ White - 2 gang
10	ED770/2GPLUG	● Urban Grey - 2 gang
10	ED770/2GPLBL	● Black - 2 gang
10	ED770/2GPLMW	○ Matt White - 2 gang
10	ED770/2GPLMB	● Matt Black - 2 gang
10	ED770/3GPLWE	○ White - 3 gang
10	ED770/3GPLUG	● Urban Grey - 3 gang
10	ED770/3GPLBL	● Black - 3 gang
10	ED770/3GPLMW	○ Matt White - 3 gang
10	ED770/3GPLMB	● Matt Black - 3 gang
10	ED770/4GPLWE	○ White - 4 gang
10	ED770/4GPLUG	● Urban Grey - 4 gang
10	ED770/4GPLBL	● Black - 4 gang
10	ED770/4GPLMW	○ Matt White - 4 gang
10	ED770/4GPLMB	● Matt Black - 4 gang
10	ED770/5GPLWE	○ White - 5 gang
10	ED770/5GPLUG	● Urban Grey - 5 gang
10	ED770/5GPLBL	● Black - 5 gang
10	ED770/5GPLMW	○ Matt White - 5 gang
10	ED770/5GPLMB	● Matt Black - 5 gang
10	ED770/6GPLWE	○ White - 6 gang
10	ED770/6GPLUG	● Urban Grey - 6 gang
10	ED770/6GPLBL	● Black - 6 gang
10	ED770/6GPLMW	○ Matt White - 6 gang
10	ED770/6GPLMB	● Matt Black - 6 gang

Pack	Cat No.	Architrave Dedicated Plate Series grids and coverplates only
10	EDA770/1GPLWE	○ White - 1 gang
10	EDA770/1GPLUG	● Urban Grey - 1 gang
10	EDA770/1GPLBL	● Black - 1 gang
10	EDA770/2GPLWE	○ White - 2 gang
10	EDA770/2GPLUG	● Urban Grey - 2 gang
10	EDA770/2GPLBL	● Black - 2 gang
10	EDA770/3GPLWE	○ White - 3 gang
10	EDA770/3GPLUG	● Urban Grey - 3 gang
10	EDA770/3GPLBL	● Black - 3 gang
10	EDA770/4GPLWE	○ White - 4 gang
10	EDA770/4GPLUG	● Urban Grey - 4 gang
10	EDA770/4GPLBL	● Black - 4 gang

Pack	Cat No.	Dedicated Plate Series module grid and coverplate only
10	ED920GPLWE	2 module grid and coverplate only Suits 2 module insert 45x45mm
10	ED920GPLBL	○ White ● Black
10	ED20A/4KTWE	Hospitality 230-240V a.c.
10	ED20A/4KTUG	Dedicated Plate Series mechanical keycard 85mmx54mm switch white 4 x 20A
10	ED20A/4KTBL	○ White ● Urban Grey ● Black
10	EDKFSWE	Dedicated Plate Series electronic key fob switch with 30 second time delay ○ White
2	ED798BL	Common and Dedicated Plate Series shaver outlet 230-240V a.c., 22VA ● Black

Red catalogue number: new product

Coverplates



Dedicated Switches – Coverplate Only

Finish								
White	ED770/1PLWE	ED770/2PLWE	ED770/3PLWE	ED770/4PLWE	ED770/5PLWE	ED770/6PLWE	ED920PLWE	EDCWPLWE
Urban Grey	ED770/1PLUG	ED770/2PLUG	ED770/3PLUG	ED770/4PLUG	ED770/5PLUG	ED770/6PLUG	ED920PLUG	EDCWPLUG
Black	ED770/1PLBL	ED770/2PLBL	ED770/3PLBL	ED770/4PLBL	ED770/5PLBL	ED770/6PLBL	ED920PLBL	EDCWPLBL
Matt Silver	ED770/1PLMS	ED770/2PLMS	ED770/3PLMS	ED770/4PLMS	ED770/5PLMS	ED770/6PLMS	ED920PLMS	EDCWPLMS

Dedicated Powerpoints – Coverplate Only

Finish								
White	ED787PLWE	ED777PLWE	ED777XPLWE	ED777APLWE	EDV787PLWE	EDV777PLWE	EDV777XPLWE	EDV777APLWE
Urban Grey	ED787PLUG	ED777PLUG	ED777XPLUG		EDV787PLUG	EDV777PLUG	EDV777XPLUG	EDV777APLUG
Black	ED787PLBL	ED777PLBL	ED777XPLBL		EDV787PLBL	EDV777PLBL	EDV777XPLBL	
Matt Silver	ED787PLMS	ED777PLMS	ED777XPLMS		EDV787PLMS	EDV777PLMS	EDV777XPLMS	

Light switches
common plate series



Pack	Cat No.	Common plate vertical switches 230-240V a.c.
10	EC770/1WE	Rocker mechanism SPDT 16A fluoro rated 16AX ○ White - 1 gang
10	EC770/2WE	○ White - 2 gang
10	EC770/3WE	○ White - 3 gang
10	EC770/4WE	○ White - 4 gang
10	EC770/5WE	○ White - 5 gang
10	EC770/6WE	○ White - 6 gang
10	EC770/40WE	Rocker mechanism 40A ○ White - 1 gang
10	EC770/40DPWE	Rocker mechanism double pole 40A ○ White - 1 gang
10	EC770/40DPCTPWE	Rocker mechanism double pole engraved 'COOKTOP' 40A ○ White - 1 gang

Light switches
common plate series IP66



Pack	Cat No.	Common plate vertical switches IP66 230-240V a.c.
5	EC770/1HIPWE	Rocker mechanism SPDT 16A fluoro rated 16AX ○ White - 1 gang
5	EC770/2HIPWE	○ White - 2 gang
5	EC770/1HIPWE	Common plate horizontal switches IP66 230-240V a.c. Rocker mechanism SPDT 16A fluoro rated 16AX ○ White - 1 gang
5	EC770/2HIPWE	○ White - 2 gang

Powerpoints – common plate series



Pack	Cat No.	Common plate horizontal double powerpoints 230-240V a.c.
10	EC777WE	Internal safety shutters in all powerpoints Double powerpoint 10A ○ White
10	EC777XWE	Double powerpoint with extra function hole 10A ○ White
10	EC777AWE	Double autoswitch powerpoint 10A ○ White
10	EC777DPWE	Double powerpoint double pole 10A ○ White
10	EC777RWE	Double round-earth powerpoint 10A ○ White
10	EC777/15WE	Double powerpoint 15A ○ White
10	EC777/15DPWE	Double powerpoint double pole 15A ○ White
10	EC777/15XWE	Double powerpoint with extra function hole 15A ○ White
10	EC777USB2IWE	Common plate horizontal USB powerpoints 230-240V a.c. Internal safety shutters on all powerpoints Double powerpoint 10A, with integrated USB charger 2.4A Type A ○ White
10	EC777USB2IACWE	Double Powerpoint 10A, with integrated USB charger 2.4A Type A+C ○ White

Pack	Cat No.	Common plate vertical double powerpoints 230-240V a.c.
10	ECV777WE	Internal safety shutters in all powerpoints Vertical double powerpoint 10A ○ White
10	ECV777XWE	Vertical double powerpoint with extra function hole 10A ○ White
10	ECV777AWE	Vertical double autoswitch powerpoint 10A ○ White

Red catalogue number: new product

Powerpoints – common plate series



Pack	Cat No.	Common plate horizontal single powerpoints 230-240V a.c.
10	EC787WE	Internal safety shutters in all powerpoints Single powerpoint 10A ○ White
10	EC787XWE	Single powerpoint with extra function hole 10A ○ White
10	EC787/2XWE	Single powerpoint with 2 extra function holes 10A ○ White
10	EC787AWE	Single autoswitch powerpoint 10A ○ White
10	EC787ARWE	Single autoswitch round-earth powerpoint 10A ○ White
10	EC787DPWE	Single double pole powerpoint 10A ○ White
10	EC787RWE	Single round-earth powerpoint 10A ○ White
10	EC787/15WE	Single powerpoint 15A ○ White
10	EC787/15XWE	Single powerpoint with extra function hole 15A ○ White
10	EC787A/15WE	Single autoswitch powerpoint 15A ○ White
10	EC787/15DPWE	Single double pole powerpoint 15A ○ White
10	EC787/20WE	Single powerpoint 20A ○ White

Pack	Cat No.	Common plate horizontal single powerpoints 230-240V a.c.
10	EC787/25WE	Internal safety shutters in all powerpoints Single powerpoint 25A ○ White
10	EC787U/32WE	Single powerpoint 32A unswitched ○ White
10	ES777WE	Secure plate horizontal powerpoints 230-240V a.c. Internal safety shutters in all powerpoints Double powerpoint 10A ○ White
10	ES787WE	Single powerpoint 10A ○ White
10	ECV787WE	Common plate vertical single powerpoints 230-240V a.c. Internal safety shutters in all powerpoints Vertical single powerpoint 10A ○ White
10	ECV787XWE	Vertical single powerpoint with extra function hole 10A ○ White
10	ECV787/2XWE	Vertical single powerpoint with 2 extra function holes 10A ○ White
10	ECV787RWE	Vertical single round-earth powerpoint 10A ○ White
10	ECV787ARWE	Vertical single autoswitch round-earth powerpoint 10A ○ White
10	ECV787/15WE	Vertical single powerpoint 15A ○ White
10	ECV787A/15WE	Vertical single autoswitch powerpoint 15A ○ White

Mechanical mechanisms



Pack	Cat No.	Rotary switch mechanisms 230-240V a.c., 16A
10	EMRSWE	All-in-one solution comes with 6 marking plate options and 180°, 270° and 360° rings ○ White ● Urban Grey ● Black
10	EMRSUG	
10	EMRSBL	
10	EM820KLIWE	Keylock switch mechanisms 230-240V a.c., 20A Key removable in 'ON' only position fluoro rated 20AX ○ White ● Urban Grey
10	EM820KLIUG	
10	EM820KLOWE	Key removable in 'OFF' only position fluoro rated 20AX ○ White ● Urban Grey
10	EM820KLOUG	
10	EM820KLIOWE	Key removable in 'OFF' or 'ON' position fluoro rated 20AX ○ White ● Urban Grey
10	EM820KLIUG	
10	EM820BL1WE	BiLock™ switch mechanisms* 230-240V a.c., 20A Suitable for high security applications. Can be installed on 1 gang plate or single powerpoint with 2 extra function holes and blanking insert Key removable in 'ON' only position fluoro rated 20AX ○ White
10	EM820BL0WE	Key removable in 'OFF' only position fluoro rated 20AX ○ White
10	EM820BL10WE	Key removable in 'OFF' or 'ON' position fluoro rated 20AX ○ White
1	EM770/20KT	Mechanical keytag switches 230-240V a.c., 20A Single pole single throw ○ White
10	EM20A/4KTWE	Mechanical keycard assembly 4x single pole single throw ○ White

*Key not supplied and must be sourced from approved BiLock™ locksmiths

Pack	Cat No.	Internal safety shutters in all powerpoints
10	EM787AWE	Used in conjunction with ECFRAME, Inserts and EDCWPLWE or ECCWPLWE coverplates Powerpoint horizontal mechanisms 230-240V a.c. Single autoswitch powerpoint mechanism 10A ○ White ● Urban Grey
10	EM787AUG	
10	EM787WE	Single powerpoint mechanism 10A ○ White
10	EM787ARWE	Single round earth autoswitch powerpoint mechanism 10A ○ White
10	EM787A/15WE	Single autoswitch powerpoint mechanism 15A ○ White
10	EM787U/20WE	Single unswitched powerpoint mech ○ White 20A ○ White 25A
10	EM787U/25WE	
10	EMV787WE	Powerpoint vertical mechanisms 230-240V a.c. Vertical single powerpoint mechanism 10A ○ White
10	EMV787AWE	Vertical single autoswitch powerpoint mech ○ White 10A ○ White 15A
10	EMV787A/15WE	
10	EA910/0WE	Common Frame Inserts One module inserts for custom made applications. Insert dimension 25 x 57mm Blank insert - 1 Module ○ White ● Urban Grey ● Black
10	EA910/0UG	
10	EA910/0BL	
10	EA910/1WE	1 gang insert - 1 Module ○ White ● Urban Grey ● Black
10	EA910/1UG	
10	EA910/1BL	
10	EA910/2WE	2 gang insert - 1 Module ○ White ● Urban Grey ● Black
10	EA910/2UG	
10	EA910/2BL	

Electronic devices



Pack	Cat No.	Hospitality 230-240V a.c.
4	EC915WE	Common Plate Series emergency stop push-button 1/4 turn 3AX ○ White
10	EC917WE	Common Plate Series buzzer 240V a.c., sound level 80dB at 1m ○ White
6	EC918WE	Common Plate Series electronic bell 12-48V, sound level 80dB at 1m ○ White
10	EAKEYFOB	Key fob supplied with label holder for individual hotel identification ○ White
10	ECKFSWE	Common Plate Series electronic key fob switch with 30 second time delay ○ White
10	EC20A/4KTWE	Common Plate Series mechanical keycard 85mmx54mm switch white 4 x 20A ○ White
6	EC924WE	Common Plate Series hotel corridor call indicator 6A ○ White
8	EC925WE	Common Plate Series hotel guest room call control 10A ○ White
6	EC923TWE	Common Plate Series programmable time delay switch 230-240V a.c., 16A Up to 8 weekly programmes, 20hrs working reserve ○ White
2	EC798WE	Common Plate Series shaver outlet 230-240V a.c., 22VA ○ White
8	EC919WE	Common Plate Series shutter, blind, curtain control 230-240V a.c. Push-button switch (via relay) 6A fast connection terminals ○ White
8	EC920WE	Common Plate Series shutter, blind, curtain control 230-240V a.c. Push-button switch (direct control) 6AX (fluoro rated) fast connection terminals ○ White

Pack	Cat No.	Audio and video devices
10	ECUSBWE	USB type A female outlet ○ White
6	EC910J35WE	3.5mm female audio outlet ○ White
4	EC920HDMIWE	HDMI outlet rear pluggable ○ White
8	EC920LJWE	Loudspeaker outlet IP41, 6mm terminal capacity ○ White
10	EC920MSVIDWE	S-Video outlet mini din ○ White
10	EC920VGAWWE	VGA outlet female connection ○ White
6	EC914WE	Common Plate Series no touch switch 230-240V a.c., 4A ○ White
6	EC510WE	Common Plate Series skirting lights 230-240V a.c. Permanent skirting light adjustable intensity 0.2 or 1W ○ White
4	EC511WE	Common Plate Series skirting lights 230-240V a.c. Permanent skirting light adjustable intensity 0.2 or 1W ○ White
6	EC520WE	Common Plate Series signalling lights 230-240V a.c. ○ White White colour LED
6	EC521WE	Common Plate Series signalling lights 230-240V a.c. ○ White Blue colour LED
6	EC524WE	Common Plate Series signalling lights 230-240V a.c. ○ White Green colour LED
4	EC570WE	Common Plate Series signalling lights 230-240V a.c. ○ White Red colour LED
4	EC571WE	Common Plate Series signalling lights 230-240V a.c. ○ White White colour LED
4	EC572WE	Common Plate Series signalling lights 230-240V a.c. ○ White Green colour LED
4	EC573WE	Common Plate Series signalling lights 230-240V a.c. ○ White Blue colour LED

Cable management, circuit identification and accessories



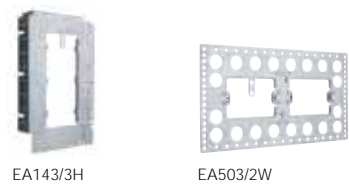
Pack	Cat No.	Cable management
10	EMCCWE	Cord clamp ○ White
10	EMCCUG	Cord clamp ● Urban Grey
10	EM910RPWE	Plug and cable retainer module 25x57mm ○ White
10	EMCLIDWE	Circuit identification Blank insert with clear cap used for circuit identification ○ White
10	EMCLIDUG	Circuit identification Blank insert with clear cap used for circuit identification ● Urban Grey
10	EMCLIDBL	Circuit identification Blank insert with clear cap used for circuit identification ● Black
10	ECFRAME	Accessories Support frame Accepts: 3 x 25x57mm inserts or 1 x 50x57mm & 1 x 25x57mm inserts ○ White
50	EAPP	Accessories Transparent paint and damage protection shell ○ White
1	EA751	Accessories Insulation shroud ○ White
1	EAPWDSREW	Accessories Public Works Department mechanism retention kit ○ White - 1 - 4 gang
10	EAPWD5GKIT	Accessories Public Works Department mechanism retention kit ○ White - 5 gang
10	EAPWD6GKIT	Accessories Public Works Department mechanism retention kit ○ White - 6 gang
10	EACIDLABELWE	Circuit identification labels To be used with EMCLIDWE/UG/BL 10 sheets, 96 labels per sheet ○ White
10	EACIDLABELBU	Circuit identification labels ● Blue
10	EACIDLABELRED	Circuit identification labels ● Red
10	EACIDLABELYE	Circuit identification labels ● Yellow

Panel mount adaptors, inserts and mounting blocks



Pack	Cat No.	Panel mount adaptors
	EA910PMAWE	Panel mount adaptors Suitable for panel thickness of 0.7mm to 3mm 1 Module accepts 1 x 25x57mm inserts 2 Module accepts 50x57mm or 2 x 25x57mm inserts ○ White - 1 module
	EA920PMAWE	Panel mount adaptors ○ White - 2 modules
10	EA910/0WE	Support frame inserts Blank insert - 1 module ○ White
10	EA910/0UG	Support frame inserts Blank insert - 1 module ● Urban Grey
10	EA910/0BL	Support frame inserts Blank insert - 1 module ● Black
10	EA910/1WE	Support frame inserts 1 gang insert - 1 module ○ White
10	EA910/1UG	Support frame inserts 1 gang insert - 1 module ● Urban Grey
10	EA910/1BL	Support frame inserts 1 gang insert - 1 module ● Black
10	EA910/2WE	Support frame inserts 2 gang insert - 1 module ○ White
10	EA910/2UG	Support frame inserts 2 gang insert - 1 module ● Urban Grey
10	EA910/2BL	Support frame inserts 2 gang insert - 1 module ● Black
10	140WE	Mounting blocks Surface mounting block 37mm deep, suits powerpoints, switches and electronic mechanisms ○ White
10	EA140UG	Mounting blocks Surface mounting block ● Urban Grey
10	140BL	Mounting blocks Surface mounting block ● Black
10	ECCWGPLWE	Mounting blocks Deep mounting block and coverplate Common Plate Series only ○ White

Installation brackets



Pack	Cat No.	Mounting brackets 84mm spacing centres
Stud Bracket		
10	143	Horizontal stud bracket
10	143/2	Horizontal stud bracket with nails
10	143/2V	Vertical stud bracket with nails
10	143U	Universal horizontal or vertical stud bracket with nails
10	EA143/2W	2 gang horizontal stud bracket
10	EA143/3W	3 gang horizontal stud bracket
10	EA143/2H	2 gang vertical stud bracket
10	EA143/3H	3 gang vertical stud bracket
10	EA143/4H	4 gang vertical stud bracket
Render Bracket		
20	954	1 gang render bracket
10	EA503/2W	2 gang horizontal render bracket
10	EA503/3W	3 gang horizontal render bracket
10	EA503/2H	2 gang vertical render bracket
10	EA503/3H	3 gang vertical render bracket
10	EA503/4H	4 gang vertical render bracket

Installation brackets and wall boxes



Pack	Cat No.	Mounting brackets 84mm spacing centres
50	711	Plaster 6.5mm board bracket
50	712	Plaster 10mm board bracket
Wall Boxes		
Plastic wall box		
10	429R	Recessed wall box with sliding nuts, retention clips and protective cover
Fire and acoustic wall box		
1	435	Cable entry top and rear. Fastening arms allow for 10mm to 32mm thick plaster/cement boards. 2hr and 3hr fire rated. Weighted sound reduction index (Rw) 62

Coverplates



Pack	Cat No.	Dedicated Plate Series module grid and coverplate only
10	ED920GPLWE	2 module grid and coverplate only Suits 2 module insert 45x45mm ○ White ● Black
10	ED920GPLBL	
Common Plate Series grids and coverplates only		
10	EC770/0GPLWE	○ White - Blank
10	EC770/1GPLWE	○ White - 1 gang
10	EC770/2GPLWE	○ White - 2 gang
10	EC770/3GPLWE	○ White - 3 gang
10	EC770/4GPLWE	○ White - 4 gang
10	EC770/5GPLWE	○ White - 5 gang
10	EC770/6GPLWE	○ White - 6 gang
Common Plate Series deep mounting block and coverplate only		
10	ECCWGPLWE	○ White
Common Plate Series module grids and coverplates only		
1 module grid and coverplate only Suits 1 module insert 25x57mm		
10	EC910GPLWE	○ White
2 module grid and coverplate only Suits 2 module insert 45x45mm		
10	EC920GPLWE	○ White - 6 gang

Pack	Cat No.	Common Plate Series – Coverplate Only
10	ECCWPLWE	1 Gang coverplate ○ White
10	ECCW2WPLWE	2 gang coverplate- horizontal ○ White
10	ECCW3WPLWE	3 gang coverplate- horizontal ○ White
10	ECCW2HPLWE	2 gang coverplate- vertical ○ White
10	ECCW3HPLWE	3 gang coverplate- vertical ○ White
10	ECCW4HPLWE	4 gang coverplate- vertical ○ White

Secure series



ES777WE



ES770/5GPLWE

Pack	Cat No.	Horizontal powerpoints 230-240V a.c. Internal safety shutters in all powerpoints
10	ES777WE	Double powerpoint 10A ○ White
10	ES787WE	Single powerpoint 10A ○ White
10	ES650TD2WE	Fan controllers with Time-delay Fan speed controller 650VA with auto-switch OFF time delay 2Hr time delay ○ White - Blank
10	ES650TD3WE	3Hr time delay ○ White - 1 gang
10	ES770NVWE	No-volt switch ○ White

Pack	Cat No.	Secure series grids and coverplates only
10	ES770/0GPLWE	○ White - blank
10	ES770/1GPLWE	○ White - 1 gang
10	ES770/2GPLWE	○ White - 2 gang
10	ES770/3GPLWE	○ White - 3 gang
10	ES770/4GPLWE	○ White - 4 gang
10	ES770/5GPLWE	○ White - 5 gang
10	ES770/6GPLWE	○ White - 6 gang
10	ESCWPLWE	Coverplate only ○ White - Blank



Fan Controllers with Time Delay
Manage energy consumption with our fan controllers to keep costs under control.



Secure Plate Switches
Our Excel Life Secure Plate Series are ideal when you need a little extra protection from theft and damage. The coverplates can only be removed with a screwdriver so they are perfect in areas prone to vandalism.

Red catalogue number: new product



SOLUTIONS FOR MEDICAL

ADVANCED MEDICAL RANGE

The Excel Life Medical range features antimicrobial technology to help reduce the spread of bacteria in hospitals and other health care environments, leading to enhanced patient care. From colour-coded powerpoints, to power indicators and heavy-duty panels, Excel Life Medical gives you the power to fit-off every detail required for hospitals, laboratories, surgeries, clinics and more.



Electresafe RCD Powerpoint 10mA. See page 48



EC777EL10CAWE

No Touch Switch
A simple wave will activate or deactivate
See page 45



EC914WE

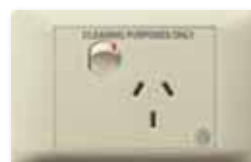
Colour-coded Options for easy identification, uninterruptible supply, essential supply, cleaners purposes only
See page 46



EC777NCABU



EC777NCARD



EC787CABE



THE ANTIMICROBIAL ADVANTAGE

The antimicrobial advantage in the Excel Life Medical range stems from the material construction based on silver ions - widely recognised as having antimicrobial properties that contribute to the reduction of undesired microorganisms.

The Excel Life Medical range has been tested by an independent TGA accredited laboratory to JIS Z 2801:2010 and proven to be an effective antibacterial agent.

The results demonstrated a kill rate against Escherichia coli and Staphylococcus aureus between 99.72% and 99.9999%. Look for products with the antimicrobial symbol.

Excel Life™ Switches



Pack	Cat No.	Common plate switch 16AX 230-240V a.c.
10	EC770/1CAWE	Standard rocker switch mechanisms, 16AX fluoro rated, chemical resistant and antimicrobial Vertical plates 1 gang switch 16AX ○ White
10	EC770/2CAWE	2 gang switch 16AX ○ White
10	EC770/3CAWE	3 gang switch 16AX ○ White
10	EC770/4CAWE	4 gang switch 16AX ○ White
10	EC770/1HCAWE	Horizontal plates 1 gang switch 16AX ○ White
10	EC770/2HCAWE	2 gang switch 16AX ○ White
10	EC770/3HCAWE	3 gang switch 16AX ○ White
10	EC770/4HCAWE	4 gang switch 16AX ○ White
6	EC914WE	No Touch Switch No Touch switch, 4A 1 gang ○ White



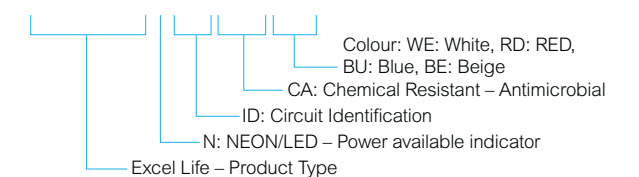
Pack	Cat No.	Common plate grid and plates
10	EC770/0GPLCAWE	Chemical resistant and antimicrobial Blank grid and coverplate only ○ White
10	EC770/1GPLCAWE	1 gang grid and coverplate only ○ White
10	EC770/2GPLCAWE	2 gang grid and coverplate only ○ White
10	EC770/3GPLCAWE	3 gang grid and coverplate only ○ White
10	EC770/4GPLCAWE	4 gang grid and coverplate only ○ White
10	EC770/5GPLCAWE	5 gang grid and coverplate only ○ White
10	EC770/6GPLCAWE	6 gang grid and coverplate only ○ White
10	EM770CAWE	Switch mechanisms 16AX 230-240V a.c. Single pole double throw chemical resistant and antimicrobial ○ White
10	EM770CARED	● Red

In medical applications socket-outlets colour coding requirements are as follows:

- Normal Supply – White (WE)
- Essential Supply – Red (RED)
- Uninterruptible Supply (UPS) – Dark blue (BU)
- Cleaners Sockets – Beige (BE)

Catalogue Number Decoder

EC777NIDCAWE





Pack	Cat No.	Common plate powerpoints 10A 230-240V a.c.
10	EC777NCAWE	Internal safety shutters, chemical resistant and antimicrobial with power available LED engraved 'RCD Protected' Double powerpoint ○ White
10	EC777NCABU	● Blue
10	EC777NCARD	● Red
10	EC777NIDCAWE	Double powerpoint with circuit ID ○ White
10	EC777NIDCABU	● Blue
10	EC777NIDCARD	● Red
10	EC787NCAWE	Single powerpoint ○ White
10	EC787NCABU	● Blue
10	EC787NCARD	● Red
10	EC787NIDCAWE	Single powerpoint with circuit ID ○ White
10	EC787NIDCABU	● Blue
10	EC787NIDCARD	● Red



Pack	Cat No.	Common plate vertical powerpoints 10A 230-240V a.c.
10	ECV777NCAWE	Internal safety shutters, chemical resistant and antimicrobial with power available LED engraved 'RCD Protected' Double vertical powerpoint ○ White
10	ECV777NCABU	● Blue
10	ECV777NCARD	● Red
10	ECV787CAWE	Single vertical powerpoint ○ White
10	ECV787NCAWE	○ White - with neon indicator
10	ECV787CABU	● Blue
10	ECV787NCABU	● Blue - with neon indicator
10	ECV787CARD	● Red
10	ECV787NCARD	● Red - with neon indicator
10	ECV787NIDCAWE	Single vertical powerpoint with circuit ID ○ White
10	ECV787NIDCABU	● Blue
10	ECV787NIDCARD	● Red
12	EMUSB2CWE	USB chargers 230-240V a.c. All USB chargers are white Dual USB charger mechanism Dual 3A Dual Type C
12	EMUSB2ACWE	Dual USB charger mechanism 3A Type A and C
1	EMUSB1CWE	USB charger mechanism, Type C, 60W (single port)

Red catalogue number: new product



Pack	Cat No.	Common plate single powerpoints 15A 230-240V a.c.
10	EC787/15NCAWE	Internal safety shutters, chemical resistant and antimicrobial with power available LED engraved 'RCD Protected' Single powerpoint ○ White
10	EC787/15NCABU	● Blue
10	EC787/15NCARD	● Red
10	ECV787/15NCAWE	Single vertical powerpoint ○ White
10	ECV787/15NCABU	● Blue
10	ECV787/15NCARD	● Red



Pack	Cat No.	Common plate 'cleaners' powerpoints 10A 230-240V a.c.
10	EC777CABE	Internal safety shutters, chemical resistant and antimicrobial, engraved 'CLEANING PURPOSES ONLY' Double powerpoint ● Beige
10	EC777IDCABE	Double powerpoint with circuit ID ● Beige
10	EC787CABE	Single powerpoint 10A ● Beige
10	EC787/15CABE	Single powerpoint 15A ● Beige
10	EC787IDCABE	Single powerpoint with circuit ID ● Beige
10	EC777EL10CABE	10mA double electrosafe RCD powerpoint ● Beige
10	EC777EL10IDCABE	10mA double electrosafe RCD powerpoint with circuit ID ● Beige

In medical applications socket-outlets colour coding requirements are as follows:

- Normal Supply – White (WE)
- Essential Supply – Red (RED)
- Uninterruptible Supply (UPS) – Dark blue (BU)
- Cleaners Sockets – Beige (BE)



EC777EL10CAWE EC777EL10IDCAWE

Pack	Cat No.	Common plate electresafe RCD powerpoints 10A 230-240V a.c.
2	EC777EL10CAWE	<p>Internal safety shutters, chemical resistant and antimicrobial with power available LED and power supplied LED</p> <p>10mA double electresafe RCD powerpoint</p> <ul style="list-style-type: none"> ○ White ● Blue ● Red <p>10mA double electresafe RCD powerpoint with circuit ID</p> <ul style="list-style-type: none"> ○ White ● Blue ● Red <p>30mA double electresafe RCD powerpoint</p> <ul style="list-style-type: none"> ○ White
2	EC777EL10CABU	
2	EC777EL10CARD	
2	EC777EL10IDCAWE	
2	EC777EL10IDCABU	
2	EC777EL10IDCARD	
2	EC777EL30CAWE	



EC777CAWE EC777XCAWE ECV777CAWE

Pack	Cat No.	Common plate powerpoints 10A 230-240V a.c.
10	EC777CAWE	<p>Internal safety shutters, chemical resistant and antimicrobial, engraved 'RCD Protected'</p> <p>Horizontal powerpoints</p> <p>Double powerpoint</p> <ul style="list-style-type: none"> ○ White <p>Double powerpoint</p> <ul style="list-style-type: none"> ● Blue <p>Double powerpoint</p> <ul style="list-style-type: none"> ● Red <p>Double powerpoint with extra function mechanism hole</p> <ul style="list-style-type: none"> ○ White <p>Double powerpoint with extra function mechanism hole</p> <ul style="list-style-type: none"> ● Blue <p>Double powerpoint with extra function mechanism hole</p> <ul style="list-style-type: none"> ● Red <p>Single powerpoint</p> <ul style="list-style-type: none"> ○ White <p>Single powerpoint with extra function mechanism hole</p> <ul style="list-style-type: none"> ○ White <p>Vertical powerpoints</p> <p>Double vertical powerpoint</p> <ul style="list-style-type: none"> ○ White <p>Double vertical powerpoint with extra function mechanism hole</p> <ul style="list-style-type: none"> ○ White <p>Single Vertical powerpoint</p> <ul style="list-style-type: none"> ○ White <p>Single Vertical powerpoint with extra function mechanism hole</p> <ul style="list-style-type: none"> ○ White
10	EC777CABU	
10	EC777CARD	
10	EC777CAWE	
10	EC777CABU	
10	EC777XCARD	
10	EC787CAWE	
10	EC787XCAWE	
10	ECV777CAWE	
10	ECV777XCAWE	
10	ECV787CAWE	
10	ECV787XCAWE	

In medical applications socket-outlets colour coding requirements are as follows:

- Normal Supply – White (WE)
- Essential Supply – Red (RED)
- Uninterruptible Supply (UPS) – Dark blue (BU)
- Cleaners Sockets – Beige (BE)



ECEL10N2IDCAWE ECEL10HN2IDCAWE ECBPASIGN

Pack	Cat No.	Common plate electresafe RCD vertical plate 20A 230-240V a.c.
2	ECEL10N2CAWE	<p>Chemical resistant and antimicrobial with power available LED</p> <p>10mA electresafe RCD plate</p> <ul style="list-style-type: none"> ○ White ● Blue ● Red <p>10mA electresafe RCD plate with circuit ID</p> <ul style="list-style-type: none"> ○ White ● Blue ● Red
2	ECEL10N2CABU	
2	ECEL10N2CARD	
2	ECEL10N2IDCAWE	
2	ECEL10N2IDCABU	
2	ECEL10N2IDCARD	
2	ECEL10HN2IDCAWE	<p>Common plate electresafe RCD horizontal plate 20A 230-240V a.c.</p> <p>Chemical resistant and antimicrobial with power available LED</p> <p>10mA electresafe RCD plate with circuit ID</p> <ul style="list-style-type: none"> ○ White ● Blue ● Red
2	ECEL10HN2IDCABU	
2	ECEL10HN2IDCARD	
2	ECVAVALWE	<p>Audio/Visual alarm for RCD</p> <p>Configurable RCD alarm with visual indicators and audible sound (mute button available)</p> <ul style="list-style-type: none"> ○ White ● Blue ● Red
2	ECVAVALBU	
2	ECVAVALRD	
2	ECUPSALCABU	<p>Audio/Visual alarm for UPS</p> <p>Configurable UPS alarm and monitor 12V d.c.</p> <ul style="list-style-type: none"> ● Blue ● Red
2	ECUPSALCARD	
2	ECCPASIGN	<p>Area classification signs</p> <p>Cardiac protected area sign</p>
2	ECBPASIGN	<p>Body protected area sign</p>

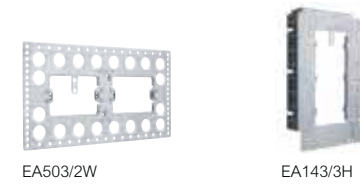


EC510WE

Pack	Cat No.	Skirting lights 230-240V a.c.
1	EC510WE	<p>Skirting lights</p> <p>Suitable for passage areas or installation with obstacles</p> <p>Permanent skirting LED light, 0.2 or 1W max</p> <ul style="list-style-type: none"> ○ White
1	EC511WE	<p>Skirting light with motion detector</p> <p>The LED lights are activated when the PIR sensor detects movement.</p> <p>Skirting LED light with PIR sensor 1.3W max</p> <ul style="list-style-type: none"> ○ White
10	EA910PMAWE	<p>Panel mount adaptors and inserts</p> <p>Panel mount adaptors suitable for panel thickness of 0.7mm to 3mm</p> <p>1 Module accepts 1 x 25x57mm inserts</p> <p>2 Module accepts 50x57mm or 2 x 25x57mm inserts</p> <p>Panel mount adaptors</p> <p>Panel mount adaptors - 1 module</p> <ul style="list-style-type: none"> ○ White <p>Panel mount adaptors - 2 module</p> <ul style="list-style-type: none"> ○ White <p>Inserts</p> <p>Blank insert - 1 module</p> <ul style="list-style-type: none"> ○ White <p>1 gang insert - 1 module</p> <ul style="list-style-type: none"> ○ White <p>2 gang insert - 1 module</p> <ul style="list-style-type: none"> ○ White
10	EA920PMAWE	
10	EA910/0WE	
10	EA910/1WE	
10	EA910/2WE	
10	EMPAPS2WE	<p>Illumination kits 230-240V a.c.</p> <p>Power available (Amber) and 2 power supplied (Red) indicators kit</p> <ul style="list-style-type: none"> ○ White <p>Power available indicator kit (Amber)</p> <ul style="list-style-type: none"> ○ White <p>Power supplied to 1 outlet indicator kit (Red)</p> <ul style="list-style-type: none"> ○ White <p>Power supplied to 2 outlets indicators kit (Red)</p> <ul style="list-style-type: none"> ○ White
10	EMPAWE	
10	EMPS1WE	
10	EMPS2WE	



Pack	Cat No.	Common plate coverplates
Coverplates chemical resistant and antimicrobial		
10	ECCWPLCAWE	1 gang coverplate ○ White
10	ECCW2HPLWE	2 gang coverplate ○ White
10	ECCW3HPLWE	3 gang coverplate ○ White
10	ECCW3HPLBU	3 gang coverplate ● Blue
10	ECCW3HPLRD	3 gang coverplate ● Red
10	ECCW4HPLWE	4 gang coverplate ○ White
10	ECCW2WPLWE	2 gang horizontal coverplate ○ White
10	ECCW3WPLWE	3 gang horizontal coverplate ○ White
Accessories		
10	EMCCWE	Cord retention clamp
10	EMCLIDWE	Blank insert with clear cap Used for circuit ID
10	EMIDWE	Blank module
10	EM910RPWE	Plug and cable retainer to be used in conjunction with EC910GPLWE or ECFRAME
Circuit Identification labels 10 sheets (96 labels per sheet)		
10	EACIDLABELWE	○ White
10	EACIDLABELBU	● Blue
10	EACIDLABELRED	● Red
10	EACIDLABELYE	● Yellow
Plasterboard metal brackets for ECCW series plastic coverplates		
10	ECCW2HBRKT	For ECCW2HPLWE plates
10	ECCW3HBRKT	For ECCW3HPLWE plates
10	ECCW4HBRKT	For ECCW4HPLWE plates



Pack	Cat No.	Accessories (continued)
Plaster brackets – 84mm Fixing Centre		
50	712	Plaster 10m board bracket
Render brackets		
20	954	1 Gang render-bracket
10	EA503/2W	2 gang horizontal render-bracket
10	EA503/3W	3 gang horizontal render-bracket
10	EA503/2H	2 gang vertical render-bracket
10	EA503/3H	3 gang vertical render-bracket
10	EA503/4H	4 gang vertical render-bracket
Stud brackets		
20	143	Stud bracket
20	143/2	Stud bracket horizontal w/nails
20	143/2V	Stud bracket vertical w/nails
10	143U	Stud bracket vertical or horizontal w/nails
10	EA143/2W	2 gang horizontal stud-bracket
10	EA143/3W	3 gang horizontal stud-bracket
10	EA143/2H	2 gang vertical stud-bracket
10	EA143/3H	3 gang vertical stud-bracket
10	EA143/4H	4 gang vertical stud-bracket



Pack	Cat No.	Standard recessed wall boxes
Modular system with adjustable height insert. Provided with earth wires. Boxes can be joined horizontally or vertically. To be equipped with coverplates. (See dimensions on page 63.)		
Steel wall boxes		
1	EABOX170	1 Gang recessed 1 module box
1	EABOX270	2 Gang recessed 2 module box 70mm spacing
1	EABOX370	3 Gang recessed 3 module box 70mm spacing
1	EABOX470	4 Gang recessed 4 module box 70mm spacing
1	EABOX570	5 Gang recessed 5 module box 70mm spacing
1	EABOX2100	2 Gang recessed 3 module box 100mm spacing (gas only)
1	EABOX3100	3 Gang recessed 4 module box 100mm spacing (gas only)
Standard wall box		
10	429R	Recessed plastic wall box with sliding nuts, retention clips and protective cover size 97 x 60 x 45mm
10	EA751	Protective shroud for panel mount



Pack	Cat No.	Equipotential devices
Earth stud plates		
1	ECEES/1GCAWE	1 Gang equipotential earth stud ○ White
1	ECEES/2GCAWE	2 Gang equipotential earth stud ○ White
Equipotential boxes		
1	EAEPNODE	Equipotential node kit supplied with stainless steel face plate and earth stud
1	EAEPJUNCTION	Equipotential junction kit supplied with stainless steel face plate
Gas plates		
Chemical resistant and antimicrobial		
1	ECGAS1GPLCAWE	Gas outlet plate ○ White
1	ECGAS2GPLCAWE	Gas outlet plate with scavenge ○ White

Red catalogue number: new product

Excel Life™ Stainless steel coverplates



EA3470PLSS



EA3470CPLSS

Medical Service Panels coverplates

Pack	Cat No.	Medical Service Panels coverplates
Stainless steel coverplates		
1	EA170PLSS	Stainless steel 1 gang coverplate 140mm x 190mm
1	EA270PLSS	Stainless steel 2 gang coverplate 70mm spacing 190mm x 190mm
1	EA370PLSS	Stainless steel 3 gang coverplate 70mm spacing 265mm x 190mm
1	EA470PLSS	Stainless steel 4 gang coverplate 70mm spacing 340mm x 190mm
1	EA570PLSS	Stainless steel 5 gang coverplate 415mm x 190mm
1	EA2270PLSS	Stainless steel 2+2 gang coverplate 70mm spacing 340mm x 190mm
1	EA2370PLSS	Stainless steel 2+3 gang coverplate 70mm spacing 415mm x 190mm
1	EA3370PLSS	Stainless steel 3+3 gang coverplate 70mm spacing 490mm x 190mm
1	EA3470PLSS	Stainless steel 3+4 gang coverplate 70mm spacing 565mm x 190mm

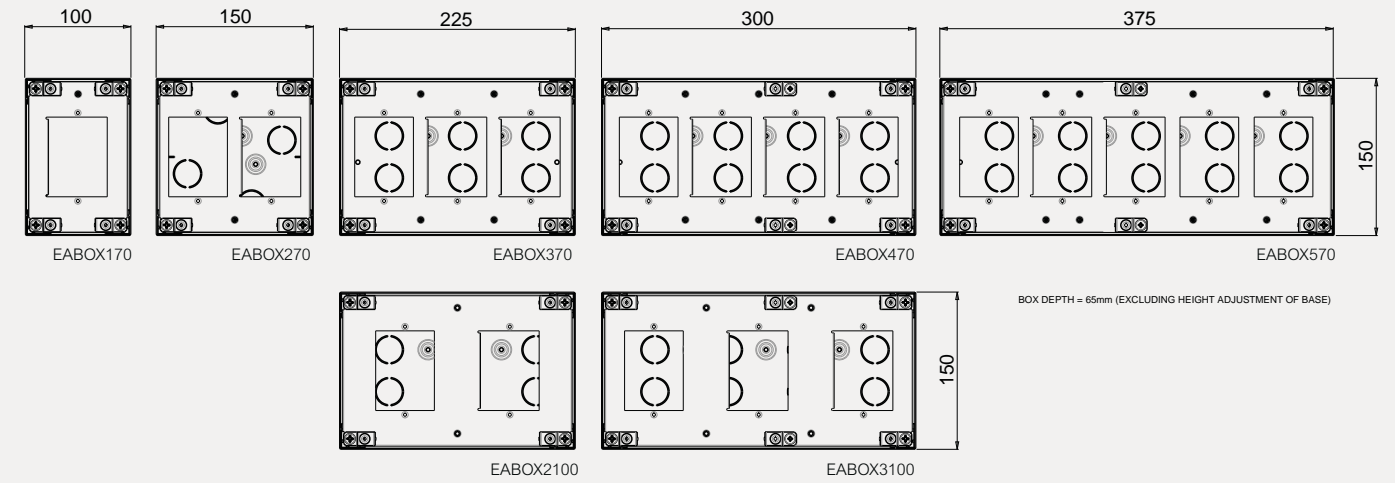
Medical Service Panels coverplates

Pack	Cat No.	Medical Service Panels coverplates
Stainless steel coverplates with curved edges		
1	EA170CPLSS	Stainless steel 1 gang coverplate curved edges 140mm x 190mm
1	EA270CPLSS	Stainless steel 2 gang coverplate curved edges 70mm spacing 188mm x 188mm
1	EA370CPLSS	Stainless steel 3 gang coverplate curved edges 70mm spacing 263mm x 188mm
1	EA470CPLSS	Stainless steel 4 gang coverplate curved edges 70mm spacing 338mm x 188mm
1	EA570CPLSS	Stainless steel 5 gang coverplate 415mm x 190mm
1	EA2270CPLSS	Stainless steel 2+2 gang coverplate curved edges 70mm spacing 340mm x 190mm
1	EA2370CPLSS	Stainless steel 2+3 gang coverplate curved edges 70mm spacing 415mm x 190mm
1	EA3370CPLSS	Stainless steel 3+3 gang coverplate curved edges 70mm spacing 490mm x 190mm
1	EA3470CPLSS	Stainless steel 3+4 gang coverplate curved edges 70mm spacing 565mm x 190mm
Stainless steel gas coverplates		
1	EA2100PLSS	Stainless steel 2 gang gas coverplate 100mm spacing 265mm x 190mm
1	EA3100PLSS	Stainless steel 3 gang gas coverplate 100mm spacing 340mm x 190mm

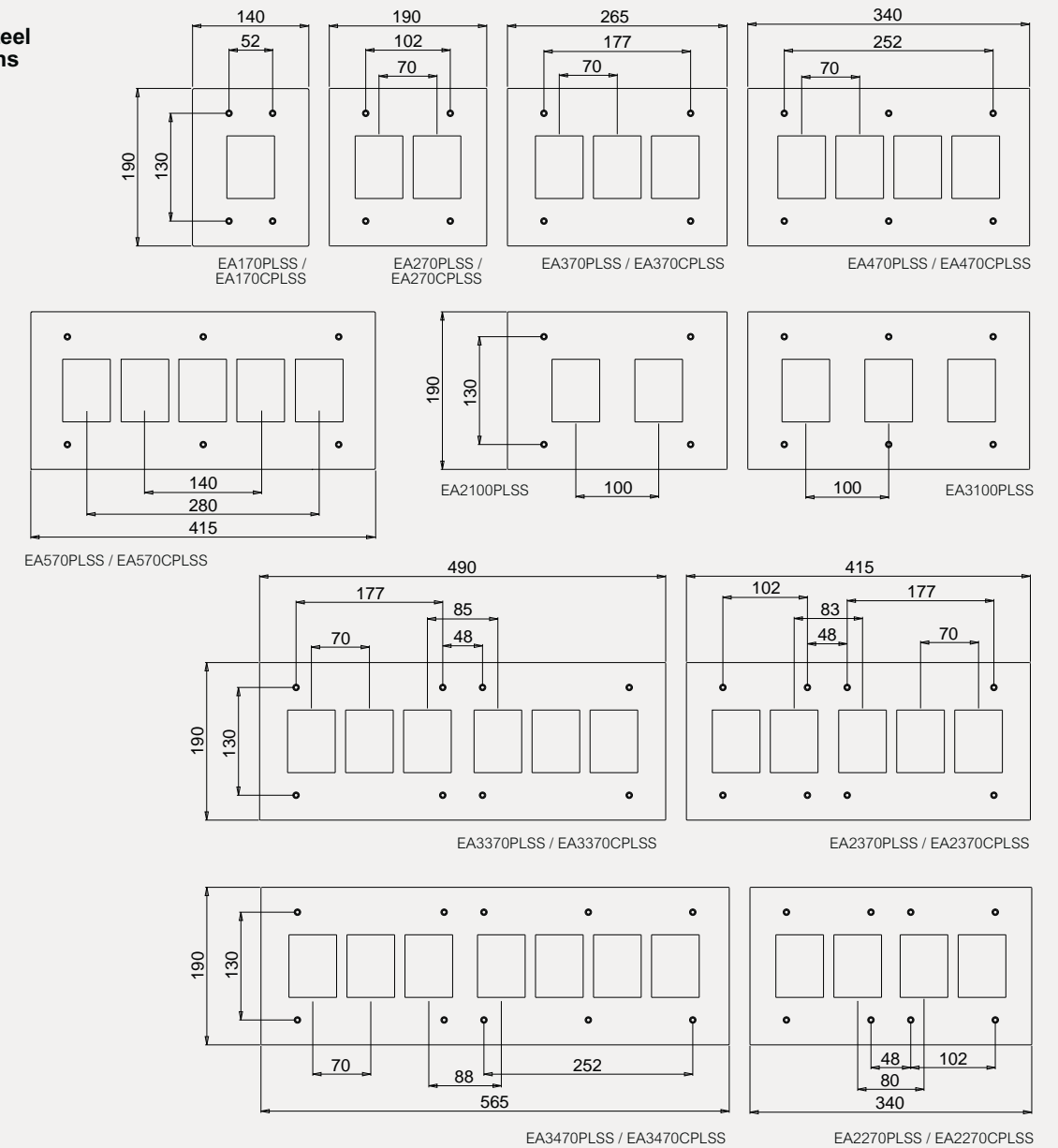
Red catalogue number: new product

Excel Life™ Wall boxes and coverplates

Standard Wall Box Dimensions



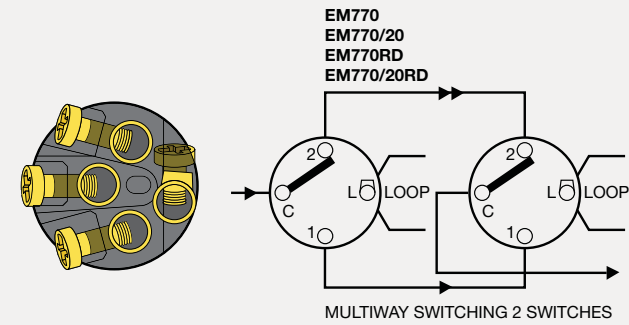
Standard Stainless Steel Coverplate Dimensions



Mechanical switch mechanism wiring diagrams

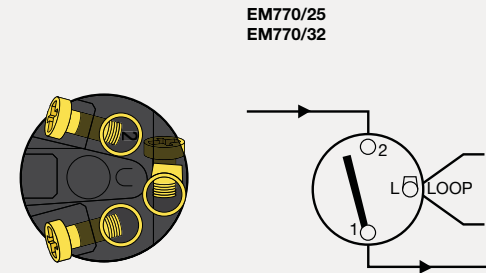
1 & 2 Way (SPDT) EM770 Series 240V a.c.

Cat. No.	Legend	Loop	Amp Rating	Body Colour
EM770 / EM770RD	SPDT	1L	16A/16AX	Black
EM770/20 / EM770/20RD	SPDT	1L	20A/20AX	Black



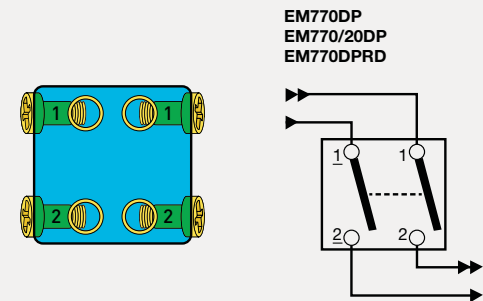
1 Way (SPST) EM770 Series 240V a.c.

Cat. No.	Legend	Loop	Amp Rating	Body Colour
EM770/25	SPST	1L	25A/20AX	Grey
EM770/32	SPST	1L	32A/20AX	Grey



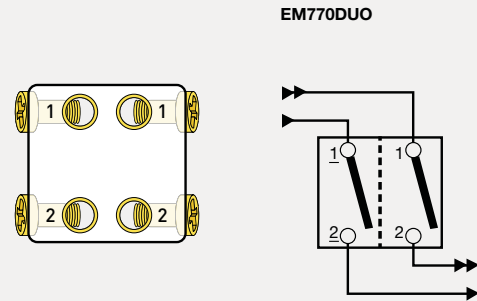
Double Pole (DPST) EM770DP Series 240V a.c.

Cat. No.	Legend	Loop	Amp Rating	Body Colour
EM770DP / EM770DPRD	DPST	0L	16A/10AX	Blue
EM770/20DP	DPST	0L	20A/10AX	Blue



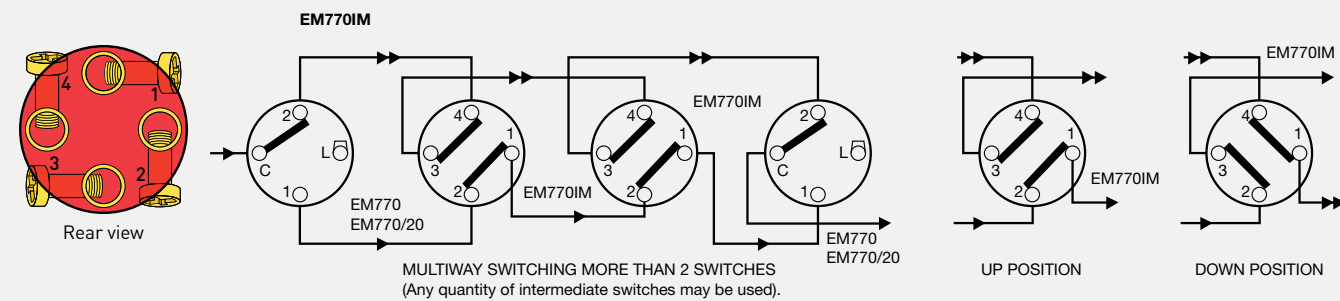
Duo Series 2 x 1 Way (2 x SPST) 240V a.c.

Cat. No.	Legend	Loop	Amp Rating	Body Colour
EM770DUO	2xSPST	0L	16A/10AX	White



Intermediate (DPXT - Crossover) EM770I Series 240V a.c.

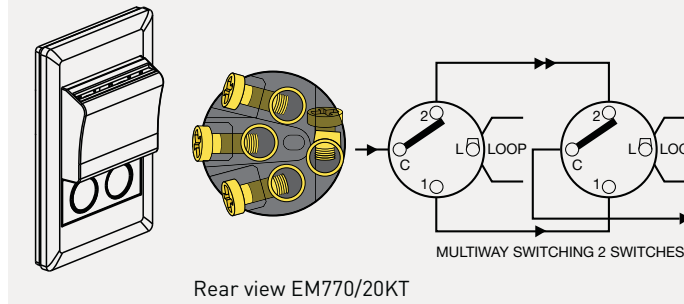
Cat. No.	Legend	Loop	Amp Rating	Body Colour
EM770IM	DPXT	0L	16A	Red



Mechanical switch mechanism wiring diagrams

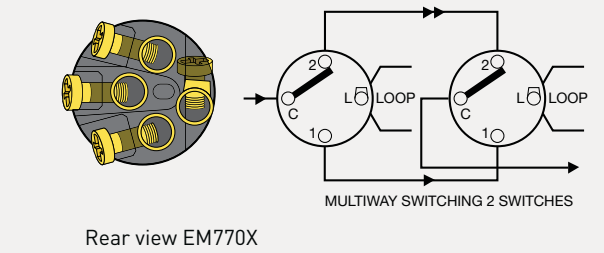
KeyTag - 1 Way (SPST) EM770/20KT

Cat. No.	Legend	Loop	Amp Rating	Motor Rating	Body Colour
EM770/20KT	SPDT	1L	20A	M80	Black



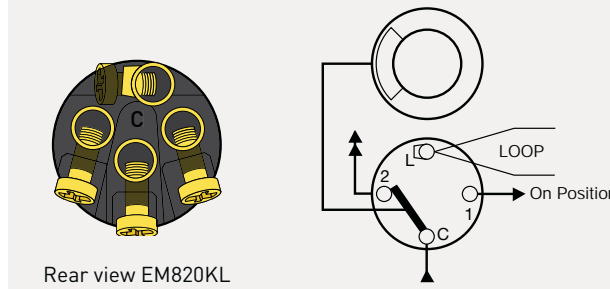
Push-Buttons 1 & 2 Way (SPDT) - Non latching EM770X Series 240V a.c.

Cat. No.	Legend	Loop	Amp Rating	Body Colour
EM770X	SPDT	1L	16A	Black



Keylock Switch Assembly - 1 & 2 Way (SPDT) 770 Series 240V a.c.

Cat. No.	Legend	Loop	Amp Rating	Motor Rating	Body Colour
EM820KLO	SPDT	1L	20A	M80	Black
EM820KLI	SPDT	1L	20A	M80	Black
EM820KLI0	SPDT	1L	20A	M80	Black



Colour code (Position in which key can be removed).

- WHITE - OFF (0)
- GREY - ON (I)
- BEIGE - ON (I) and OFF (0)

Legend

- SPST = single pole, single throw
- SPDT = single pole, double throw
- DPDT = double pole, double throw
- DPST = double pole, single throw
- DPXT = double pole cross-over
- NC = normally closed
- NO = normally opened
- L = Loop

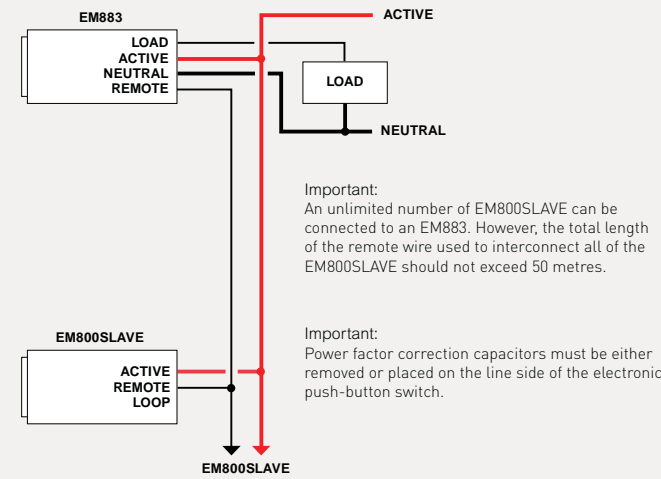
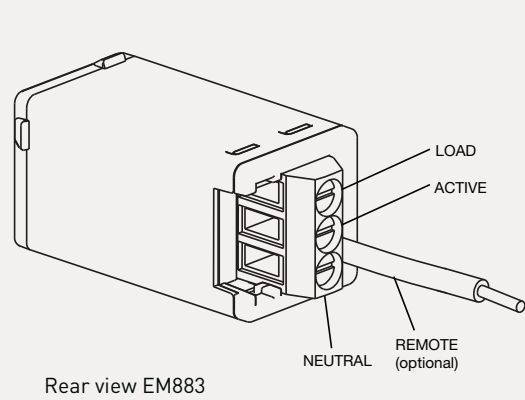
Using X Rating

Excel Life series switches marked with an 'X' are suitable for fluorescent installations up to the switch rating.

Electronic push-button switch mechanism wiring diagrams

Electronic push-button switch wiring diagram EM883WE

■ Connect optional Secondary Control Buttons (EM800SLAVE) to enable switching from multiple locations.



Technical characteristics

	Incandescent	Halogen	Fluorescent tube	Wirewound transformer	Electronic transformer	Compact fluorescent	LED	Fan motor
Temperature	+ 50°C + 0°C							
Supply	230-240V a.c. 50Hz							
Wiring	1 x 2.5mm ² 2 x 1.5mm ²							
Max load	1200W	1200W	500VA	500VA	500VA	500VA	500VA	500VA

Minimum load = 0W for all load types

LED Indicator

■ The colour of the LED indicator can be either red or blue. In addition, when the switch is off the LED indicator can either glow faintly or be off completely. The four possible modes are as follows:

■ To change between modes, press and hold the push-button for at least 10 seconds. This will select the next mode in the sequence above.

MODE	STATUS OF LED INDICATOR	
	SWITCH ON	SWITCH OFF
1	Bright Red	Faint Red
2	Bright Blue	Faint Blue
3	Bright Red	Off
4	Bright Blue	Off



Electronic push-button dimmers and time-delay switches

Electronic push-button dimmer EM400A2P
Technical characteristics

Temperature	Supply	Wiring	Incandescent	Halogen or dimmable LED with electronic transformer	Halogen with wirebound transformer	Fluorescent tube	Fan motor
			Halogen	Dimmable compact fluorescent	Dimmable LED without transformer		
+ 50°C + 0°C	230-240V a.c. 50Hz	1 x 2.5mm ² 2 x 1.5mm ²					
Max load			Max Power	Max number of transformers ¹			
	1 dimmer per plate	350W	350VA	8	X	X	X
	2 dimmers per plate	300W	300VA	8	X	X	X
	3 or more dimmers per plate	250W	250VA	8	X	X	X

Minimum load = 5W for all load types. Not compatible with all dimmable LEDs. Should be bench tested prior to installation

Note:

- In the case of dimmable compact fluorescent or dimmable LED without transformer, this is the maximum number of lamps.
- Where both max power and max number of transformers/lamps are specified, both conditions must be satisfied.
- When used in ambient temperatures greater than 25°C, the dimmer must be de-rated by 10% for every increase of 5°C.

Electronic push-button dimmer EM400A3P
Technical characteristics

Temperature	Supply	Wiring	Incandescent	Halogen or dimmable LED with electronic transformer	Halogen or dimmable LED with wirewound transformer ²	Fluorescent tube	Fan motor
			Halogen	Dimmable compact fluorescent	Dimmable LED without transformer		
+ 50°C + 0°C	230-240V a.c. 50Hz	1 x 2.5mm ² 2 x 1.5mm ²					
Max load			Max Power	Max number of transformers ¹	Max Power	Max number of transformers	
	1 dimmer per plate	350W	350VA	8	300VA	6	X
	2 dimmers per plate	300W	300VA	8	250VA	6	X
	3 or more dimmers per plate	250W	250VA	8	200VA	6	X

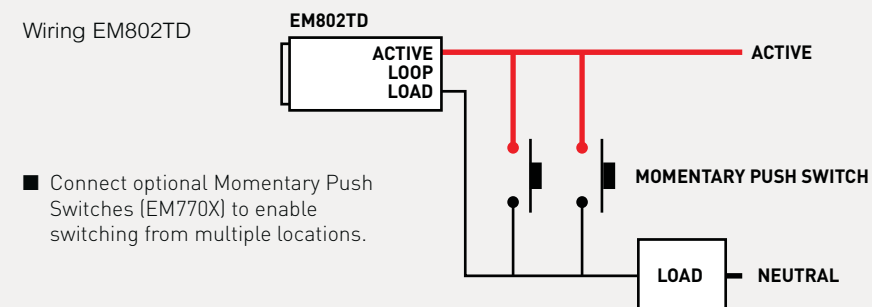
Minimum load = 5W for all load types. Not compatible with all dimmable LEDs. Should be bench tested prior to installation

Electronic push-button time delay EM802TD/EM803TD
Technical characteristics

Temperature	Supply	Wiring	Incandescent	Halogen	Fluorescent tube	Wirewound transformer	Electronic transformer	Compact fluorescent	LED	Fan motor
			+ 50°C + 0°C	230-240V a.c. 50Hz	1 x 2.5mm ² 2 x 1.5mm ²					
Max load [802TD]			400W	400W	400VA*	X	400VA	400VA	400VA	X
Max load [803TD]			1200W	1200W	500VA	500VA	500VA	500VA	500VA	500VA

Minimum load = 10VA for all load types. * Electronic ballast only

Wiring EM802TD



Important:
An unlimited number of EM770XWE can be connected to an EM802TD. However, the total length of the load wire used to interconnect all of the EM770XWE should not exceed 50 metres.

Note:
For other technical details please refer to the installation instructions of each device.

Load compatibility disclaimer:
Although significant efforts have been made to ensure Dimmers are compatible with a large variety of drivers (CFL, LEDs), it is not possible to guarantee 100% compatibility with all devices.

Rotary dimmers

Rotary dimmers - EM250TR/EM400TR/EM700TR

Technical characteristics

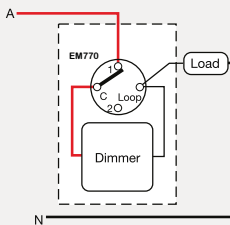
	Incandescent	Halogen	Fluorescent tube	Wirewound transformer	Electronic transformer	Compact fluorescent	LED	Fan motor	
+50°C +0°C 230-240V a.c. 50Hz									
	1 x 2.5mm ² 2 x 1.5mm ²								
Max load EM250TR	1 dimmer per plate	250W	250W	X	X	250VA	250VA see note 2	see note 1	X
	2 dimmers per plate	225W	225W	X	X	225VA	225VA see note 2	see note 1	X
	3 or more dimmers per plate	200W	200W	X	X	200VA	200VA see note 2	see note 1	X
Max load EM400TR	1 dimmer per plate	400W	400W	X	X	400VA	400VA see note 2	see note 1	X
	2 dimmers per plate	350W	350W	X	X	350VA	350VA see note 2	see note 1	X
	3 dimmers per plate	300W	300W	X	X	300VA	300VA see note 2	see note 1	X
Max load EM700TR	1 dimmer per plate	700W	700W	X	X	700VA	700VA see note 2	see note 1	X

Minimum load = 10VA for all load types

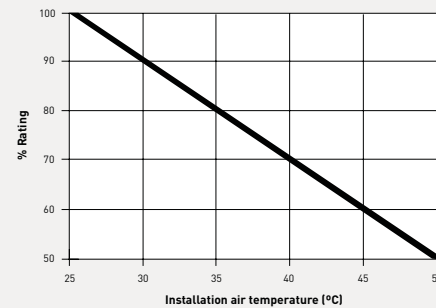
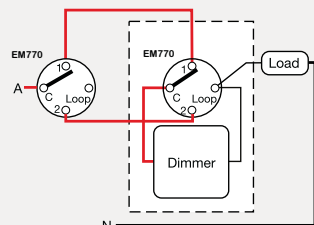
NOTE 1: Not compatible with all dimmable LEDs. Should be bench tested prior to installation.
 NOTE 2: Compact Fluorescent Lamps (CFLs) and LCDs, also known as Energy Saving Lamps, can only be dimmed if they are specifically marked as "dimmable". Dimmable CFLs may have different characteristics from brand to brand, and so each brand may require a specific type of dimmer to operate correctly. Using the incorrect dimmer may cause the CFL to flicker. Please read the documentation that comes with each CFL carefully to ensure that the CFL and dimmer are compatible. For more information, please contact HPM Legrand. In some cases, the dimmable CFL may turn off or flicker when dimmed to a very low brightness. This can be overcome by ensuring that the dimmer brightness is not set too low. See "Setting minimum brightness" for instructions on how to achieve this.

Wiring for rotary dimmers

One-way wiring diagram



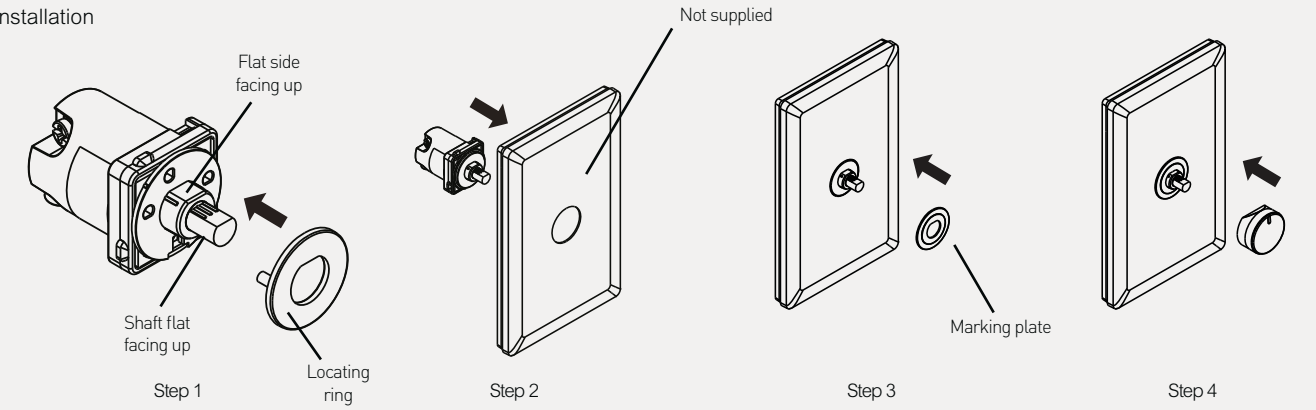
Two-way wiring diagram



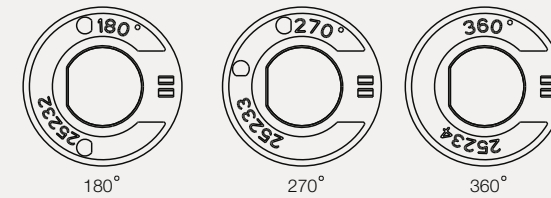
Important:
When used in ambient temperatures greater than 25°C, the dimmer must be de-rated according to the following chart.

Rotary switch - EMRSWE/UG/BL

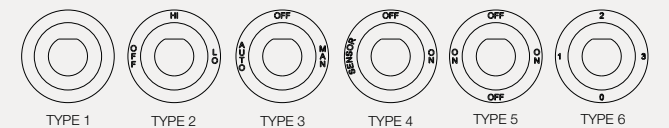
Installation



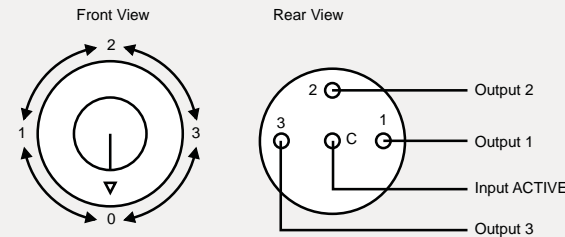
Rotation ring options



Marking plate options

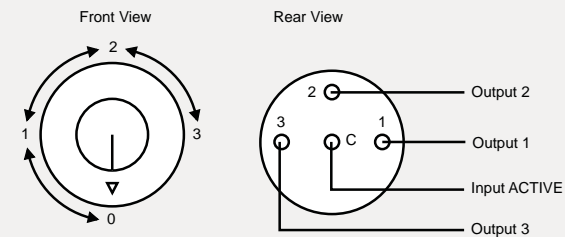


Wiring for 360° rotation



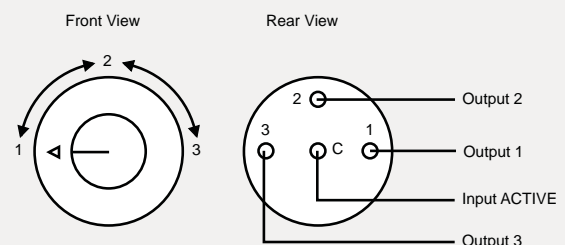
SELECT ONE OF THE FOLLOWING WIRING OPTIONS:				
POSITION				WIRING
0	1	2	3	
OFF	ON	ON	ON	Connect All Terminals
OFF	ON	OFF	ON	Do Not Connect Terminal 2

Wiring for 270° rotation



SELECT ONE OF THE FOLLOWING WIRING OPTIONS:				
POSITION				WIRING
0	1	2	3	
OFF	ON	ON	ON	Connect All Terminals

Wiring for 180° rotation

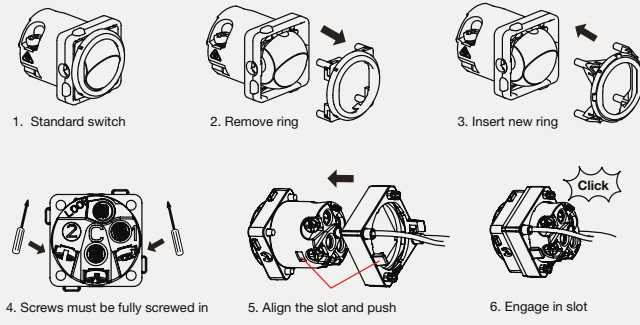


SELECT ONE OF THE FOLLOWING WIRING OPTIONS:				
POSITION				WIRING
1	2	3		
ON	ON	ON		Connect All Terminals
ON	OFF	ON		Do Not Connect Terminal 2
OFF	ON	ON		Do Not Connect Terminal 1
ON	ON	OFF		Do Not Connect Terminal 3

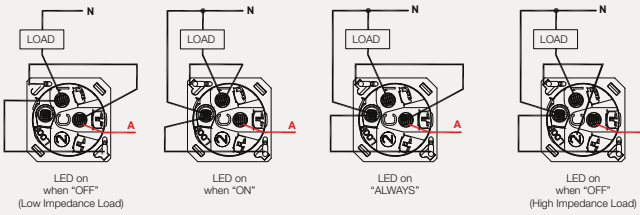
Illuminated LED ring kits

LED power supplied/power available indicator kits

Installation
EM770LED - LED 770 illumination kit



Wiring

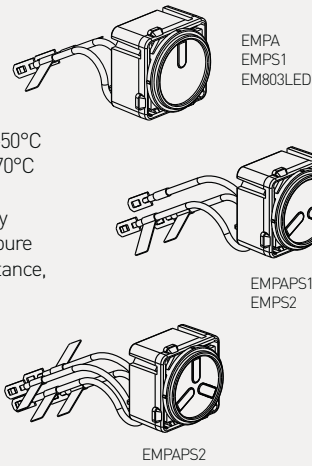


Note: Low Impedance Load examples include incandescent, halogen, resistive loads High Impedance Load examples include CFLs, LED globes

LED Power Available/Power Supplied Indicator Kits
EMPAPS2, EMPAPS1, EMPA, EMPS1, EMPS2, EM803LED

Features

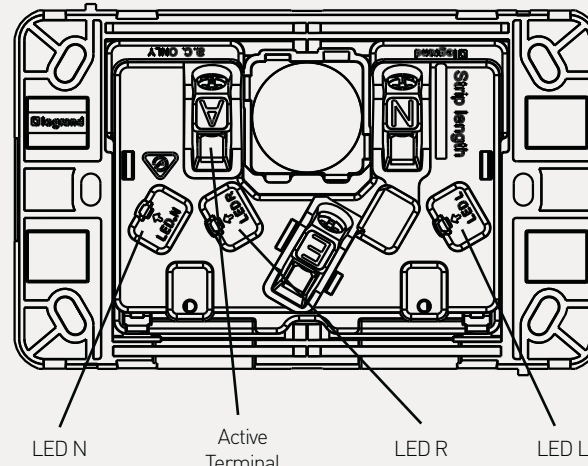
- Voltage: 230-240V a.c.
- Frequency: 50Hz
- Current: 1.2mA per indicator
- Operating temperature: -5°C to +50°C
- Storage temperature: -10°C to +70°C
- Resistant to the following agents: Hexane, methylated spirits, soapy water, diluted ammonia, diluted pure bleach (10%), glass cleaning substance, pre-impregnated wipes, diluted hydrogen peroxide
- Not resistant to the following agents: Acetone, tar remover, trichloroethylene



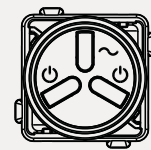
Wiring

Wire/lead marking	LED N	LED L	LED R	LED	A
EMPAPS2	Neutral	Switched Active (LHS)	Switched Active (RHS)		Active
EMPAPS1	Neutral			Switched active	Active
EMPA	Neutral				Active
EMPS2	Neutral	Switched Active (LHS)	Switched Active (RHS)		
EMPS1	Neutral			Switched active	
EM803LED (power available)**	Neutral				Active
EM803LED (power supplied)	Neutral				Switched active
EM803LED (power available without neutral)**	Switched active				Active

++ = In this mode the LED indicator will be ON whenever there is power available to the product.
** = In this mode the LED indicator will only be ON whenever the associated switch/socket is OFF. The current required to light the indicator when the switch is ON will be bled through the load.

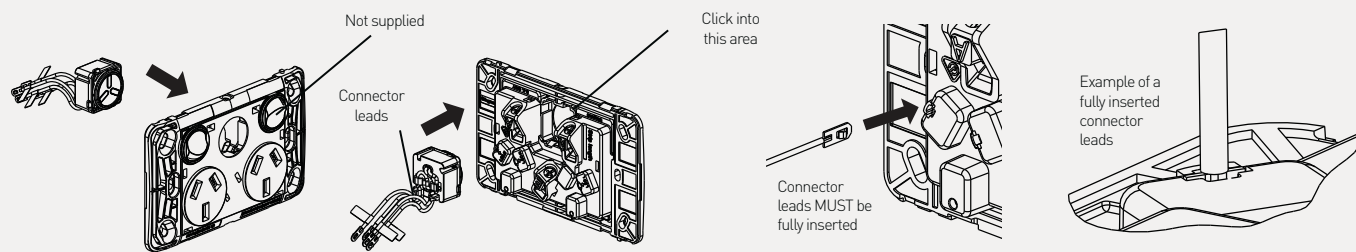


Example:
EMPAPS2



⊖ = Power available (Amber)
⊕ = Power supplied (Red)

Installation
EMPAPS2, EMPAPS1, EMPA, EMPS1, EMPS2, EM803LED
LED Power Available/Power Supplied Indicator Kits

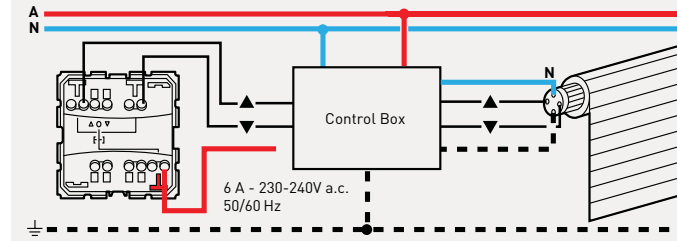


Shutter, blind, curtain control

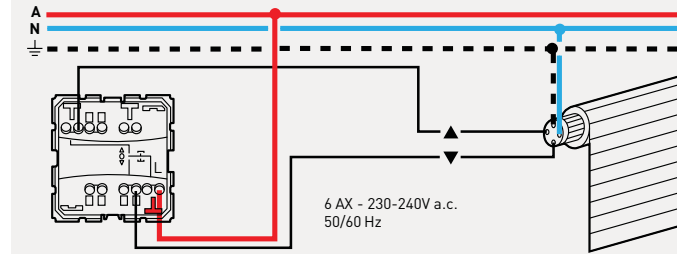
Plates and cut-out dimensions

Wiring

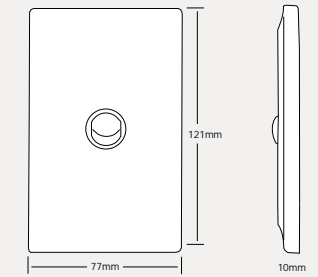
Push-button switch (Cat No EC919WE)



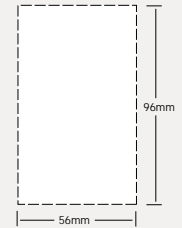
Push-button switch (Cat No EC920WE)



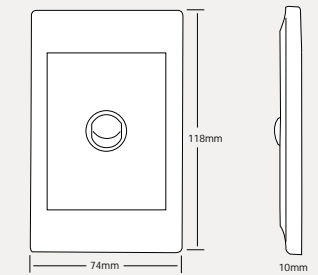
Dedicated plate series dimensions



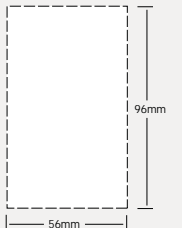
Maximum cut-out dimensions



Common plate series dimensions



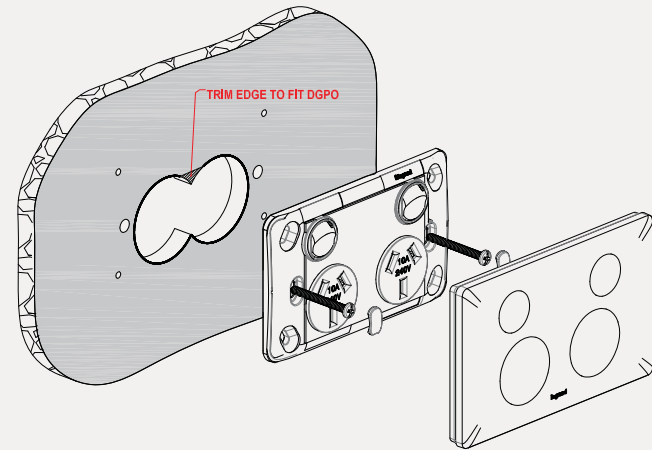
Maximum cut-out dimensions



Powerpoint installation details

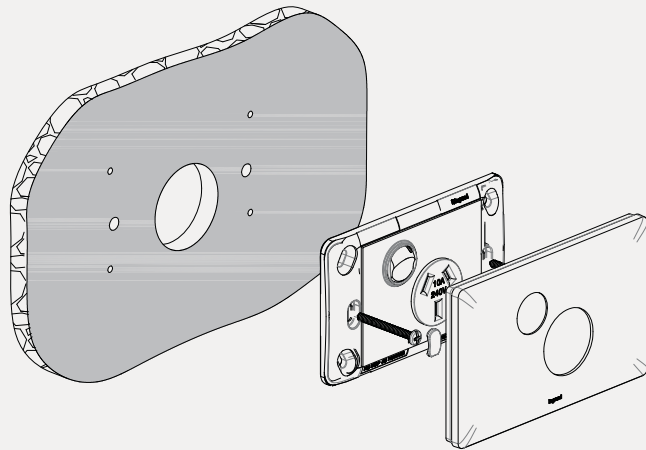
Hard Surfaces Installations Double powerpoint 10A

Assembly

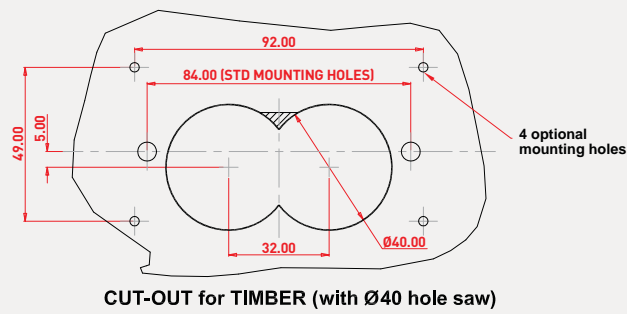


Single powerpoint 10A

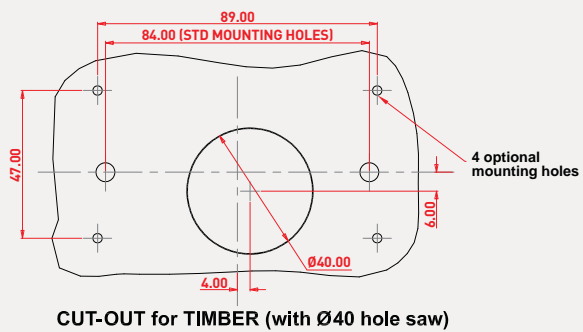
Assembly



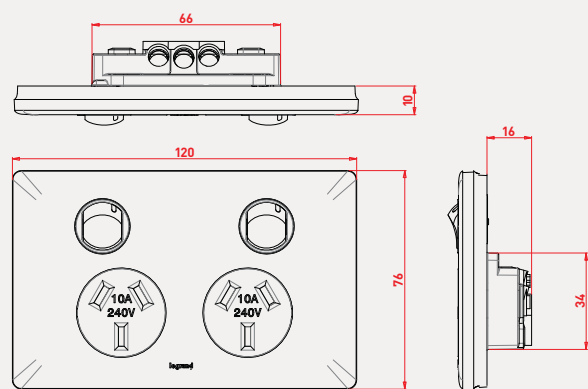
Cut-out dimensions



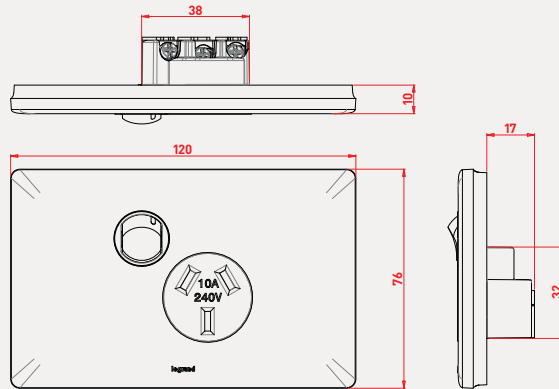
Cut-out dimensions



Product dimensions



Product dimensions



Note:
Cut-out dimensions for other devices are 96mm x 56mm

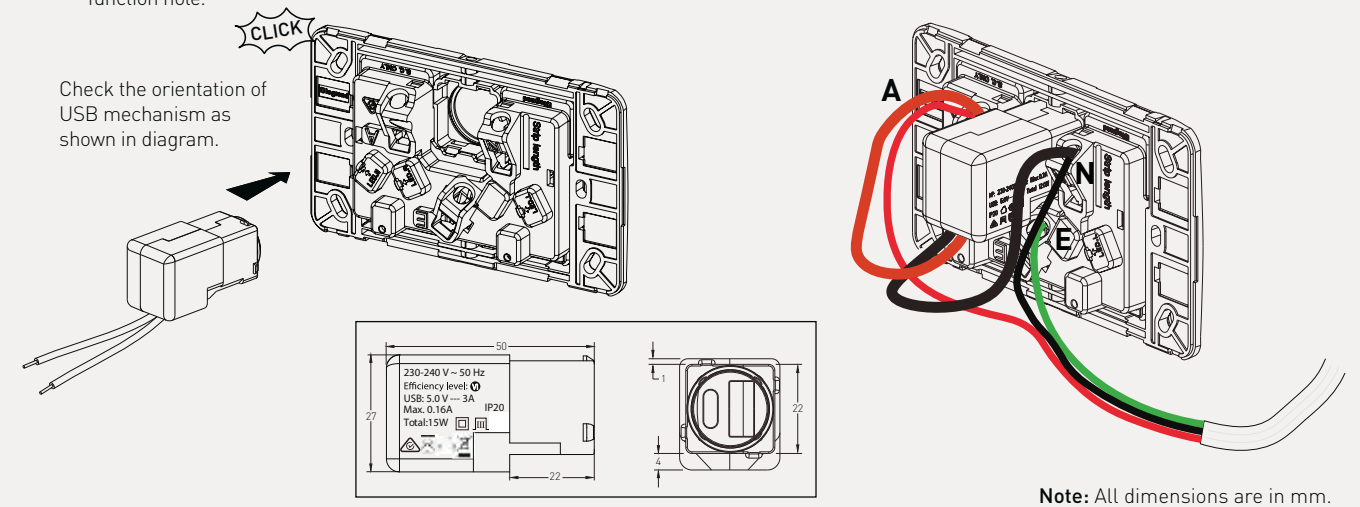
USB Chargers installation details

Range	Excel Life™	
Cat. No.	EMUSBN2ACWE EMUSBN2ACUG EMUSBN2ACBL	EMUSBN2CWE EMUSBN2CUG EMUSBN2CBL
Picture		
Product Compatibility (Series)	ED777X, ED770/1, ED770/2, ED770/3 EC777X, EC770/1, EC770/2, EC770/3 Not compatible with 4-6 gang arrangements	
Wall Recess Depth	50 mm min.	
Output	5 V d.c. 3 A	
Input	230 - 240 V a.c. 50 Hz	
Mains Connections	Via 'A' and 'N' wires	
Standby Power Consumption	75 mW	
Overload Protection on Output	3.1 A	

Installation in powerpoint

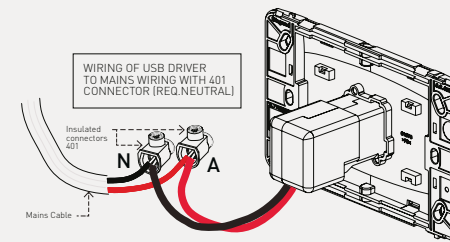
1. Push USB mechanism into extra function hole.

2. Connect wires with corresponding mains cables in the 'A' and 'N' terminals of double GPO.

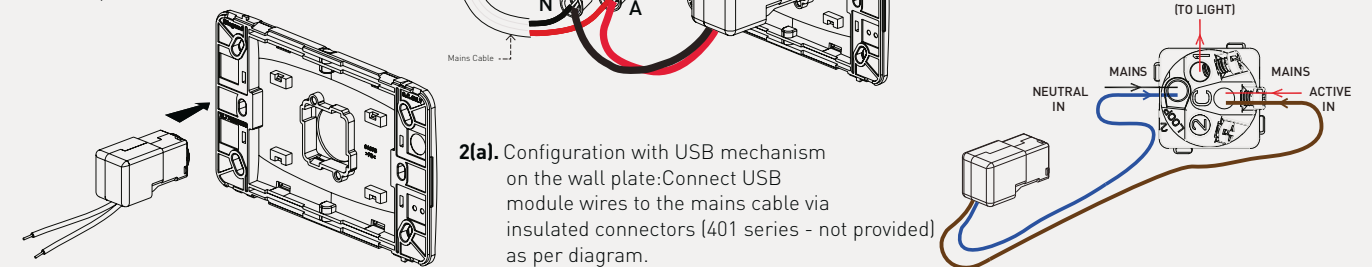


Installation in switch plates

1. Push USB mechanism into wall plate cut-out.



2(b). Configuration with USB and switch mechanism on the wall plate: Connect USB wires to switch mechanism as per below.



Disclaimer: The information provided in this document is intended for informational purposes only has been prepared and reviewed with all reasonable care, believed to be correct at the time of printing. Legrand Australia and New Zealand may also make improvements and/or changes in the products, pricing and/or programs described in this information at any time without notice.



Legrand Australia

Building 4, Nexus Industry Park
43-47 Lyn Pde Prestons NSW 2170
1300 369 777
www.legrand.com.au

Legrand New Zealand

106-124 Target Road Glenfield
Auckland 0627 New Zealand
0800 476 009
www.legrand.co.nz