

Datasheet

Excel Life™

Dedicated Plate - Double Powerpoint, 10A

CAT. NO. ED777WE, ED777UG, ED777BL, ED777MW, ED777MB



Cat. No.	ED777WE	ED777MW	ED777UG	ED777BL	ED777MB
Colour	White (WE)	Matt White (MW)	Urban Grey (UG)	Black (BL)	Matt Black (MB)
Description	Excel Life Dedicated Plate - Double Powerpoint, 10A				
Supply voltage	230 - 240 V a.c. 50Hz				
Current rating	10 A				
Dimensions (W x H x D)	121 x 71 x 10 mm				
Mounting centres	84 mm				
Compliance	AS/NZS 3112				

Excel Life™

Dedicated Plate - Double Powerpoint, 10A

CAT. NO. ED777WE, ED777UG, ED777BL, ED777MW, ED777MB



Single product	
Cat. No.	Barcode
ED777WE	9321001396529
ED777UG	9321001411253
ED777BL	9321001452058
ED777MW	9321001498216
ED777MB	9321001498414

Inner box (QTY 10)		
Cat. No.	Barcode	Dimensions (W x H x D)
ED777WE	9321001396536	160 x 160 x 120mm
ED777UG	9321001411918	
ED777BL	9321001452775	
ED777MW	9321001498636	
ED777MB	9321001498834	

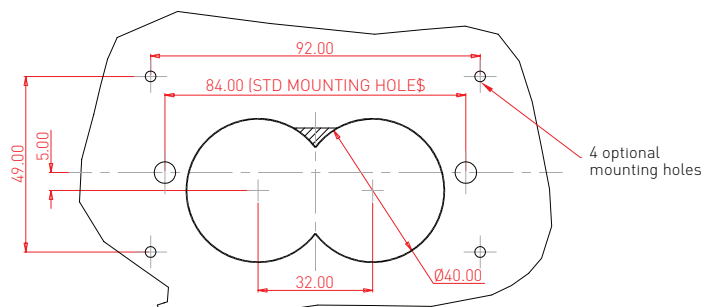
Outer box (QTY 120)		
Cat. No.	Barcode	Dimensions (W x H x D)
ED777WE	9321001396543	499 x 333 x 266mm
ED777UG	9321001412571	
ED777BL	9321001453475	
ED777MW	9321001499053	
ED777MB	9321001499251	

- Small Footprint (fit 2 x Ø40mm cut-outs)
- Internal safety shutters for extra safety.
- Captive terminal screws.
- Carburised steel and deep head screws.
- Angled terminal screws for ease of use with power tools.
- Funnel shape cable terminals.
- Raised insulated barriers on terminals.
- Elongated oblong mounting holes for better levelling.

Glass and tile cut-out dimensions:



Timber cut-out dimensions:



HPM Legrand - AUS
1300 369 777
www.legrand.com.au
ABN 31 000 102 661

HPM Legrand - NZ
0800 476 009
www.legrand.co.nz

Refer to your group buying office, HPM Legrand Sales Representative or HPM Legrand Sales Office for pricing.

HPML0591_B

11/2020