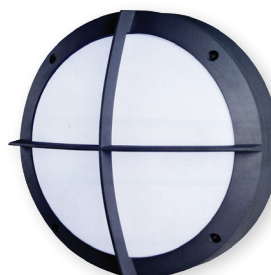


Bulkhead 360 LED - SPU and Axiom

CAT. NO. 664164/LI, 664165/LI, 664168/LI, 664169/LI



664164/LI



664165/LI

Cat. No.	664164/LI	664165/LI	664168/LI	664169/LI
Description	Bulkhead R 360 LED	Bulkhead R 360 LED	Bulkhead R 360 LED- Axiom	Bulkhead R 360 LED-Axiom
Design	Plain	Guard	Plain	Guard
Nominal Input Voltage	230 - 240 V a.c. 50Hz			
Operating Mode	Switched Maintained			
Battery	Li-ion 12.8 V, 1.5 Ah			
Power Pack Wattage	4 W			
Inrush Current	28 A peak			
Light Source Life (LSL)	50,000 hrs			
Mains Luminaire Output (lm)	1800	1600	1800	1600
Colour Temperature	4000 K			
CRI	>80			
Circuit Power	22 W			
Luminaire Efficacy (lm/W)	81	72	81	72
Power Factor	>0.9			
Weight (kg)	4.8	4.9	4.8	4.9
Ballast Type	Fixed output/Non-Dimmable			
Operating Temperature	10°C to 40°C			
IP Rating	IP65			
Impact Rating	IK10			
Body Construction	Die-cast Aluminium			
Diffuser Construction	Frosted Polycarbonate			
Compliance	AS/NZS 2293, AS/NZS 60598			
Product Marking				

Bulkhead 360 LED - SPU and Axiom

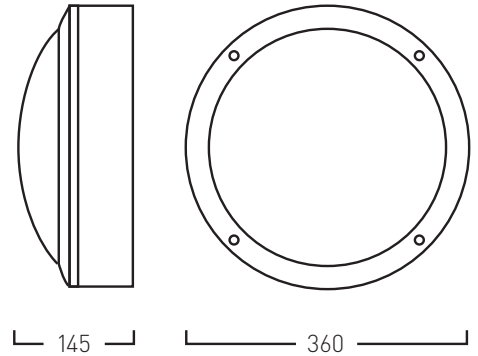


CAT. NO. 664164/LI, 664165/LI, 664168/LI, 664169/LI

FEATURES

- L70 @ 50,000 hours
- Large terminal block
- iSmart™ temperature sensing technology for Li-ion battery.
- Electronics designed to lengthen the life of the battery.
- Robust die cast aluminium construction.
- Available in plain and guard.
- 5 Year Warranty
- Manufactured in Australia.

DIMENSIONS



SPACING TABLE

Maximum Spacing between luminaires for 0.2 lux (Australia)				
Mounting Height (m)	2.4	2.7	3.0	3.3
D80	13.2	14.8	16.5	18.1

As per AS/NZS 2293:2018

Maximum Spacing between luminaires for 1.0 lux (New Zealand)				
Mounting Height (m)	2.4	2.7	3.0	3.3
D80	12.5	12.9	13.3	13.6

As per AS/NZS 2293:2018

Note: Spacing table based on ceiling mounting.

Legrand - Australia
1300 369 777
www.legrand.com.au
ABN 31 000 102 661

Legrand - New Zealand
0800 476 009
www.legrand.co.nz

Refer to your group buying office, Legrand Sales Representative or Legrand Sales Office for pricing.

LEG2498B

Please note: specifications are subjected to change without prior notice.



07/2021