

Datasheet

Arteor 8 Modules Plates



CAT. NO. 571308,571318,571328,571338,571348,571358,571368,571378,571388,571398,571408,
576700, 576702,576703,576704,576706,576710



576703

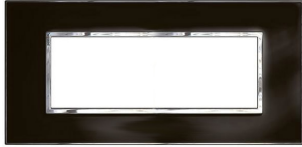
| | | | | | | |
|--|--|--|--|---------------------------------|----------|-----------|
| Cat. No. | 576700,571308,576702, 571318,571328,571338 | 576704,576703 | 576706,576710, 571358, 571348 | 571368,571388 571378 | 571398 | 571408 |
| Collection | Neutral | Mirror | Brushed metal | Reflective | Wood | Signature |
| Colour | White, Soft Alu, Graphite, Magnesium, Champagne, Dark Bronze | Mirror White, Mirror Black | Stainless Steel, Gold Brass, Pink Champagne, Black | Stainless Steel, Black, Gold | Grey Oak | Cube |
| Description | Coverplate Arteor 8 Modules | | | | | |
| Impact rating | IK04 | | | | | |
| Material | Front plate: Polycarbonate Under plate: Polycarbonate | Front plate: Genuine materials Under plate: Polycarbonate | | | | |
| Storage temperatures | -10°C to +70°C | | | | | |
| Mounting cut-out (W x H) | 231 x 76 mm | | | | | |
| Compatible Mounting Accessories | Metal Mounting Box Cat. No. 689038 (Size: 231x76x51mm) | | | | | |

Datasheet

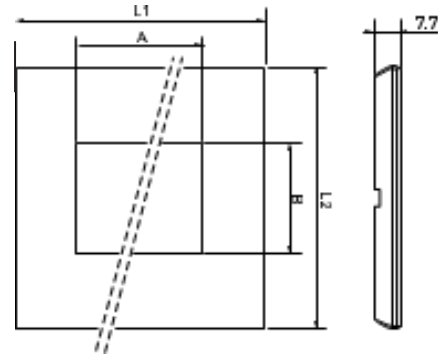
Arteor 8 Modules Plates



CAT. NO. 571308,571318,571328,571338,571348,571358,571368,571378,571388,571398,571408,
576700, 576702,576703,576704,576706,576710



Overall Dimensions(mm)



Mounting:

- The plates clips on notches onto screw-type or claw-type mounting supports (notches are used for thickness compensation e.g. wallpaper).
- Easy to remove with a screwdriver.
- No flatness defect of more than 1.5 mm in a periphery of 10 cm around the installed flush box.

Cleaning:

- Surface clean with a cloth. Do not use: Acetone, remover or Trichloroethylene.
- Resistance to cleaning agents: Hexane (EN 60669-1), Methylated spirits, Soapy water, Glass cleaning substance.
- Resistance to hospital-type cleaning agents: Resistance to the following agents: Anios, Surfanios, Bactily sine, Hydrogen peroxide (30%).

Special Use:

- Arteor plates must not be painted.

| Cat. No. | Colour | L1 | L2 | A | B |
|----------|----------------------------|-----|----|-----|----|
| 576700 | White | 238 | 93 | 181 | 46 |
| 571308 | Soft Alu | | | | |
| 576702 | Graphite | | | | |
| 571318 | Magnesium | | | | |
| 571328 | Champagne | | | | |
| 571338 | Dark Bronze | | | | |
| 576704 | Mirror White | | | | |
| 576703 | Mirror Black | | | | |
| 576706 | Stainless Steel | | | | |
| 576710 | Gold Brass | | | | |
| 571358 | Pink Champagne | | | | |
| 571348 | Brushed Black | | | | |
| 571368 | Reflective Stainless Steel | | | | |
| 571388 | Reflective Black | | | | |
| 571378 | Reflective Gold | | | | |
| 571398 | Grey Oak | | | | |
| 571408 | Cube | | | | |

Legrand - Australia
1300 369 777
www.legrand.com.au
ABN 31 000 102 661

Legrand - New Zealand
0800 476 009
www.legrand.co.nz

Refer to your group buying office, Legrand Sales Representative or Legrand Sales Office for pricing.

Please note: specifications are subject to change without prior notice.

