

# Datasheet

## Freezer Super LED Satellite

CAT. NO. 659087LI



Colour	Grey
Operating Mode	Non-maintained
Type	GALAXY
Nominal Input Voltage	230 - 240 V a.c 50 Hz
Battery	Li-ion 12.8 V, 1.5 Ah
Power Consumption	5.2 W
Inrush Current	5 A peak
Light Source Life (LSL)	100,000 hrs
Lighting Classification	C <sub>0</sub> /C <sub>90</sub> D100
Body Construction	Polycarbonate
Operating Temperature	- 40° C to 40° C for LED head 10° C to 40° C for Remote gear
IP Rating	IP65
IK Rating	IK07
Product Weight	Remote gear pack: 1.2 kg LED head pack: 0.7 kg
Compliance	AS/NZS 2293, AS/NZS 60598, AS CISPR 15
Product Marking	  R-NZ



# Freezer Super LED Satellite

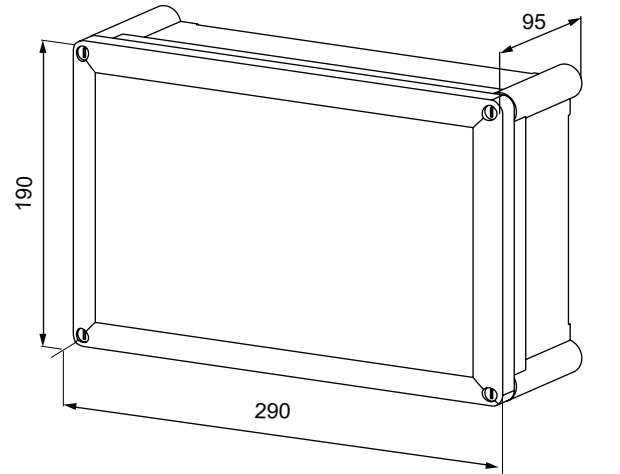
CAT. NO. 659087LI



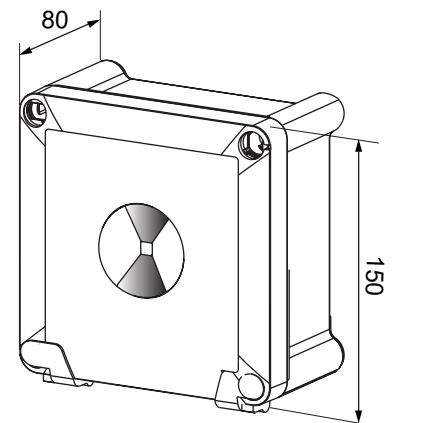
## FEATURES

- Suitable for small, large areas and high ceilings as well as cool and freezer room applications.
- Embedded Bluetooth for smart device connectivity.
- Low power Wide Area Network type of communications utilizing the LoRa platform.
- LoRa communication to maximise reliability, coverage and infiltration.
- iSmart™ temperature sensing technology for Li-ion battery.
- One high Brightness LED.
- D100 Emergency classification.
- Surface Mounted with remote gear.
- 5 Year Warranty.
- Designed and Manufactured in Australia.

## DIMENSIONS



Remote gear



LED Head

Cat.No	Description
<b>GALAXY</b>	
659087LI	Freezer Super LED Satellite, Li-ion, Grey, Remote Gear with 3m cable.
<b>ACCESSORIES</b>	
659455	Freezer Super LED Satellite 10m extension cable.

## SPACING TABLE

Maximum spacings between luminaires for 0.2 lux (Australia)

Mounting Height (m)	3	3.3	3.6	4	4.5	5
Distance	16.5	18.1	19.8	22.0	24.7	27.5

As per AS/NZS 2293:2018

Maximum spacings between luminaires for 1 lux (New Zealand)

Mounting Height (m)	3	3.3	3.6	4	4.5	5
Distance	14.4	14.8	15.1	15.4	15.8	16.0

As per AS/NZS 2293:2018

**Note:** All the dimensions are in mm.

Legrand Australia  
1300 369 777  
www.legrand.com.au  
ABN 31 000 102 661

Legrand New Zealand  
0800 476 009  
www.legrand.co.nz

Refer to your group buying office, Legrand Sales Representative or Legrand Sales Office for pricing.

Please note: specifications are subject to change without prior notice.



LEG2483D

03\_2022