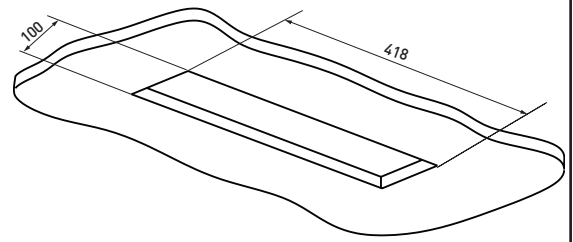


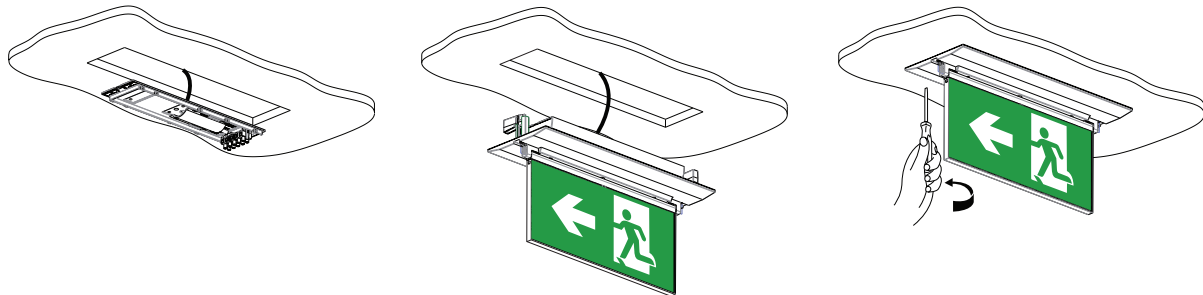
Recessed Edgelight

- Step 1:** Fit the required decal/s (see decal replacement on page 3).
- Step 2:** Ensure Unswitched Active is available adjacent to where the sign will be installed.
- Step 3:** Determine a compliant location before cutting.
- Step 4:** Use the cut-out template provided to cut an exact opening.



Note: All the dimensions are in mm.

- Step 5:** Terminate the Unswitched Active, Neutral and Earth supply cables to the terminal block on the plate provided or fit an Australian approved flex and 3-pin plug as required, enlarging the selected entry hole to suit a cable gland. Terminate DALI cables to the terminal block (DALI models only).
- Step 6:** Fit the protective cover to the cableway and secure the slide-on cover to the Exit body.



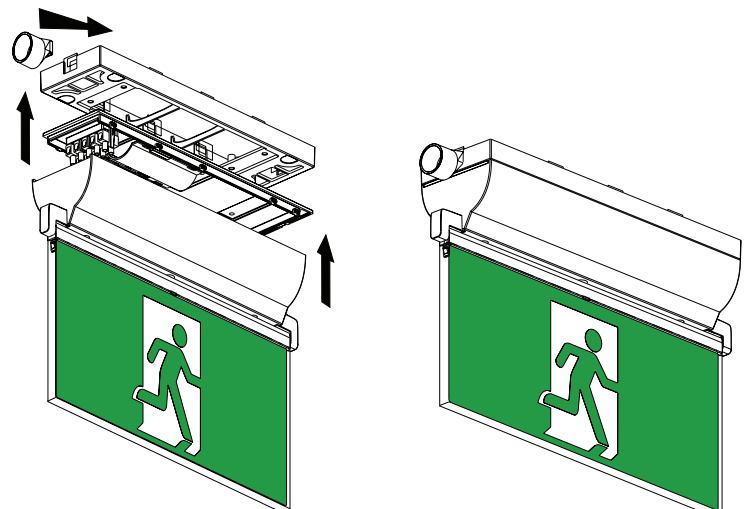
- Step 7:** Note the orientation of the plate so that the LED and Test Switch will be most visible and accessible. Plug-in the fixture before fixing the luminaire and recessing plate securely to the ceiling using the swing clamps provided. Don't over-tighten the screws, damage to the ceiling tile may occur.

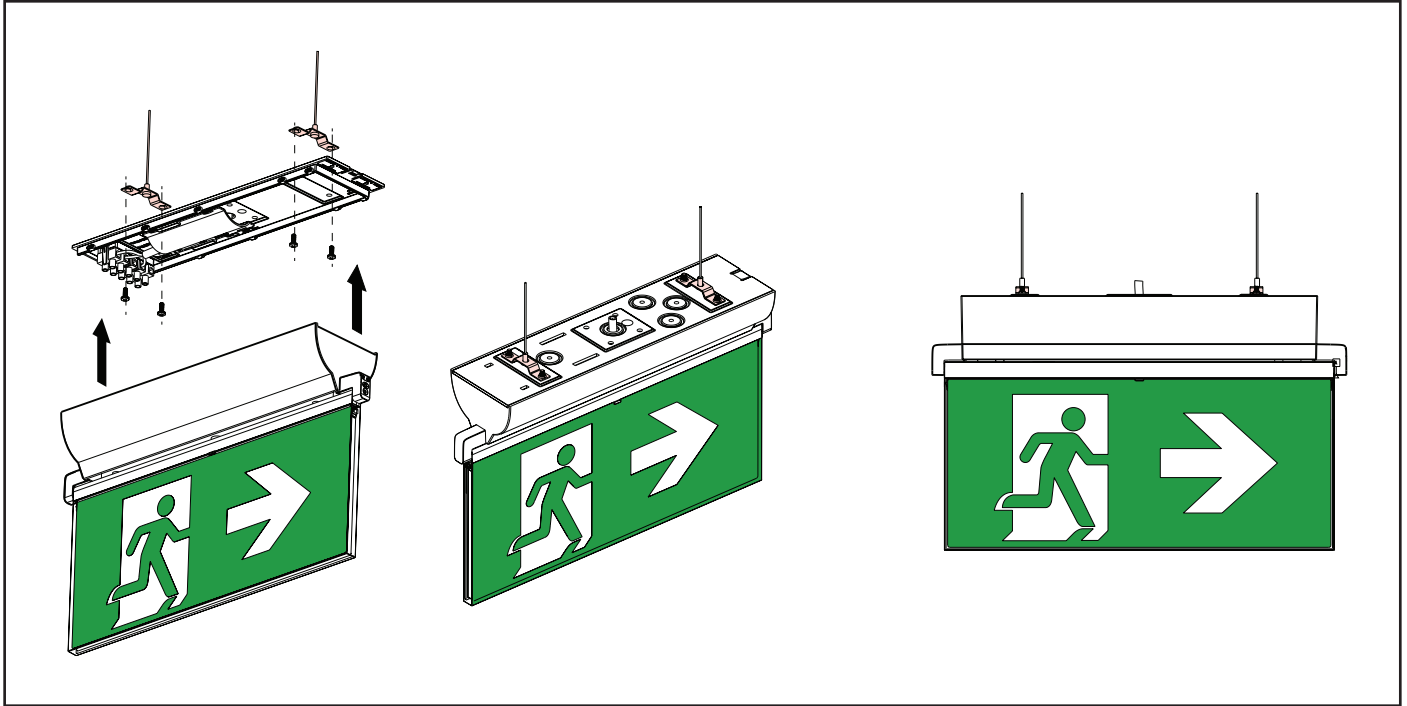
Note:

This sign is configured for maintained operation only.
Non-Maintained (switched active) operation is available by special order.

Accessories

- 684737 - E2 Mounting Block Kit (White)
- 684739 - E2 Mounting Block Kit (Black)
- 686216 - Suspension Wire

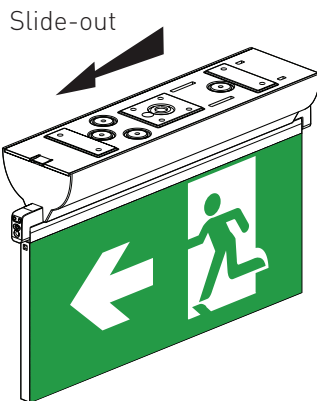
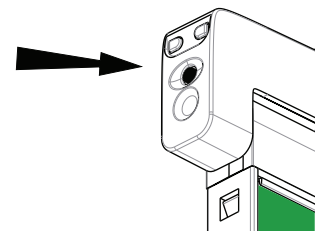
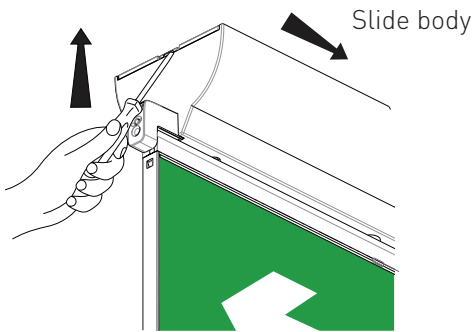




Prepare for Installation

NOTE: To make decal replacement easier, remove the body from the mounting plate.
Lift tab to release then slide the plate from body.

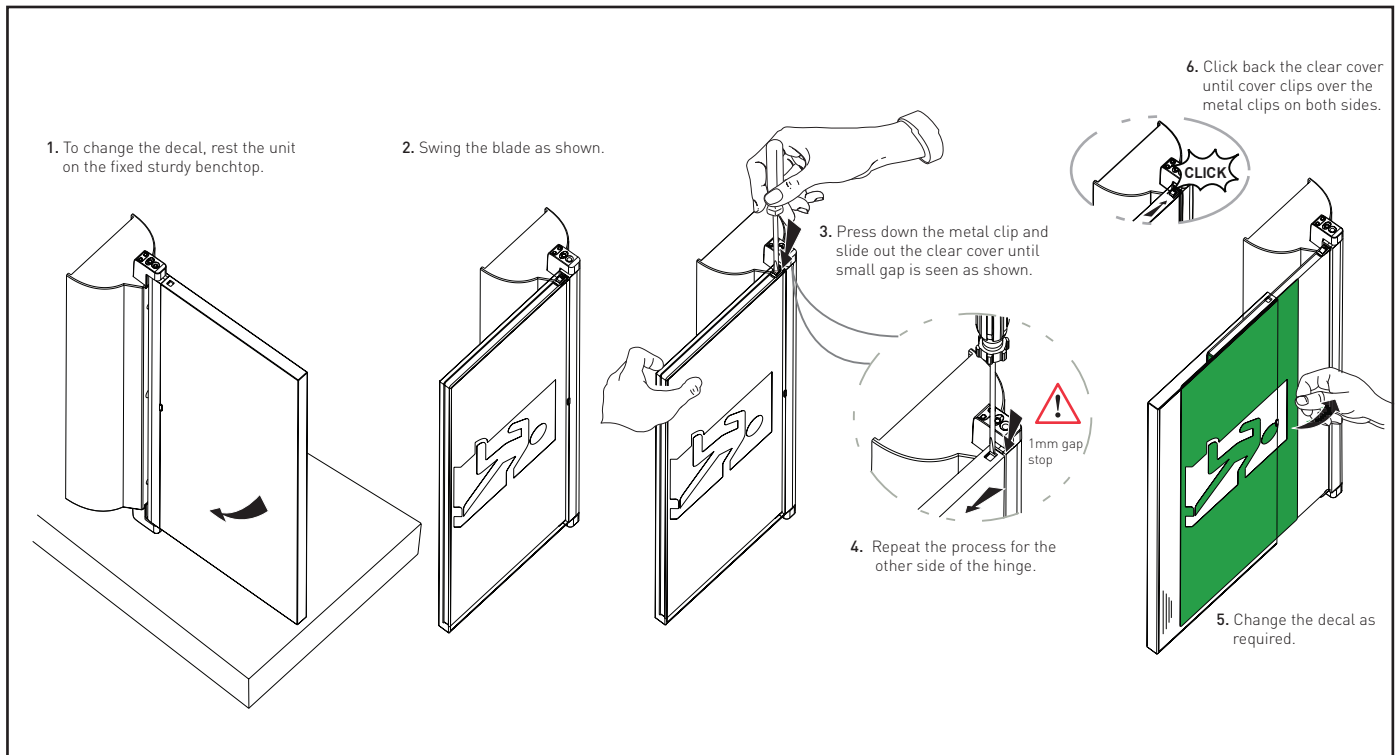
Removal



Press test switch for local test when installation is complete.
Ensure correct orientation. Terminal block will be at an opposite end to LED & Test Switch.

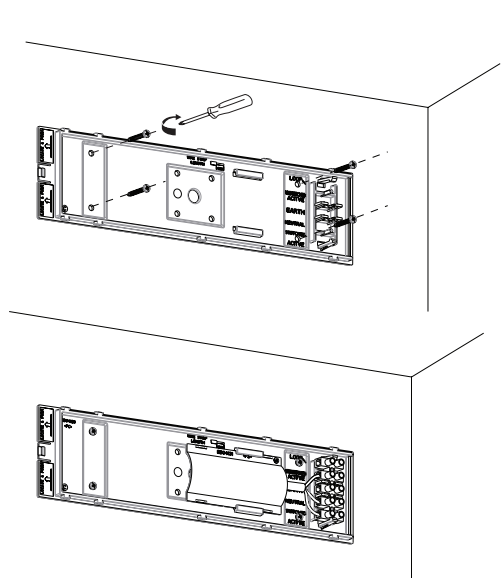
Once decal is changed, slide decal assembly over the lens.

Decal Replacement

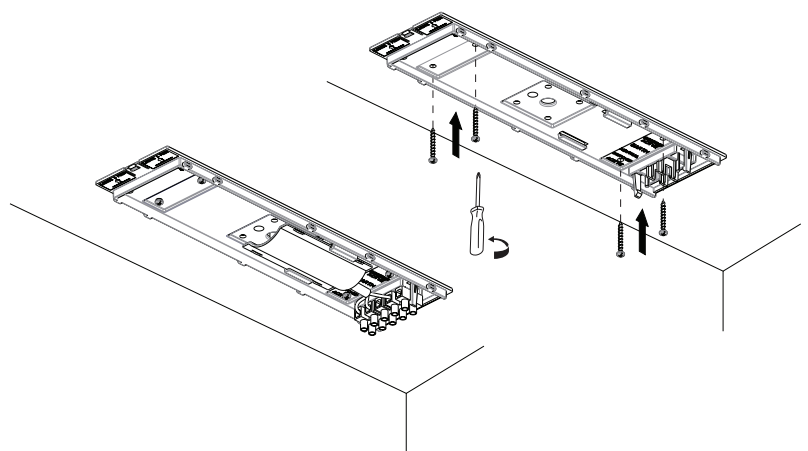


Mounting

- Step 1:** Fit the required decal/s as described on page 1.
Step 2: Secure the mounting plate to the wall or ceiling.



Wall mount

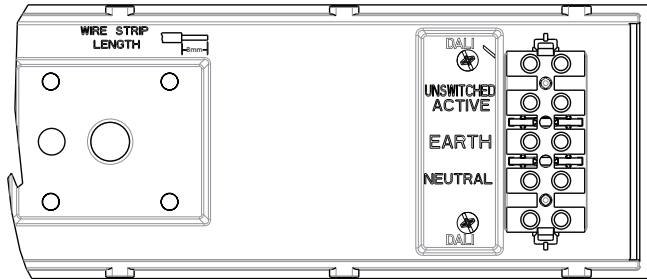


Ceiling mount

Wiring

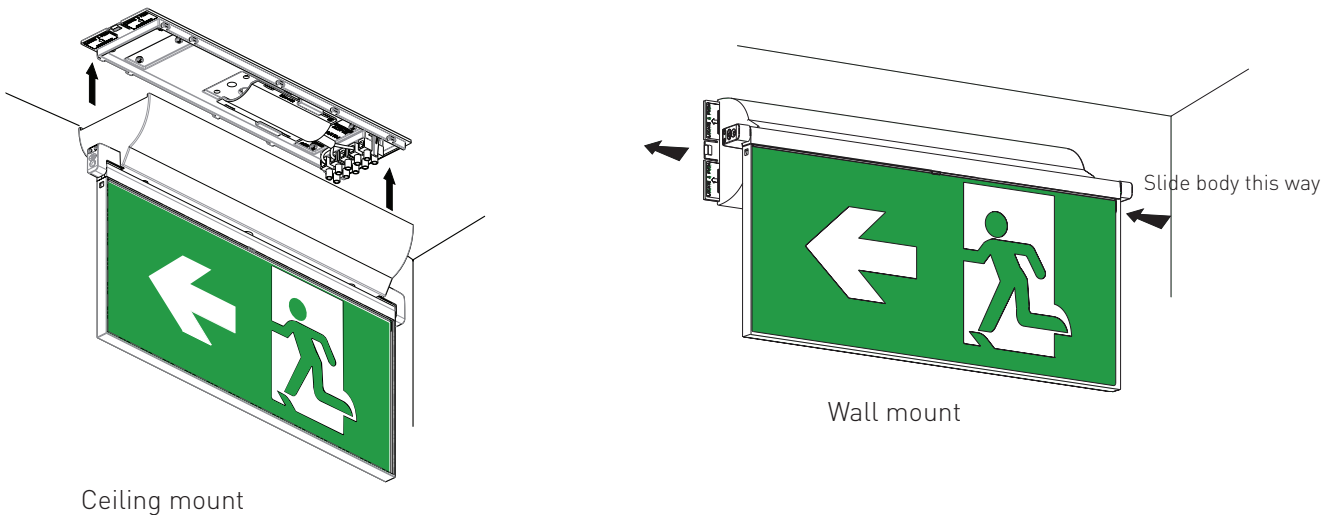
Step 3a: Terminate Unswitched Active, Neutral and Earth supply cables to the terminal block (Strip cable to 8mm).

Step 3b: Terminate DALI cables to terminal block (DALI models only).

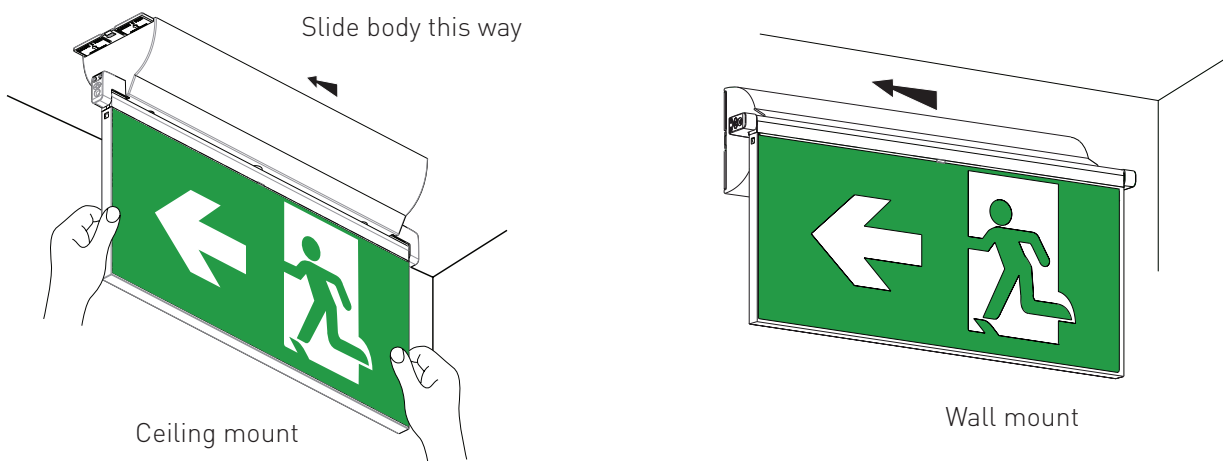


Step 3c: Fit the protective cover to the cableway.

Step 4a: Fit the body to the mounting plate by raising it to ceiling level / wall.



Step 4b: Locate and slide cover horizontally towards the terminal block until it connects securely.



Note: 1. No need for conversion plate when replacing older Edgelight products from Legrand to E2 Exit but requires enlarging of the existing cut-out to suit the E2 fitting.
 2. Also it's not recommended to keep the Edgelight box and retro fit the E2.

