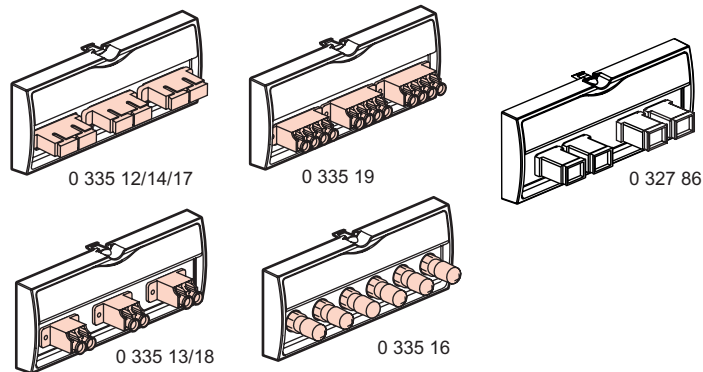


Fibre optic units

Catalogue number(s): 0 335 12/13/14/16/17/18/19
0 327 86



1. USE

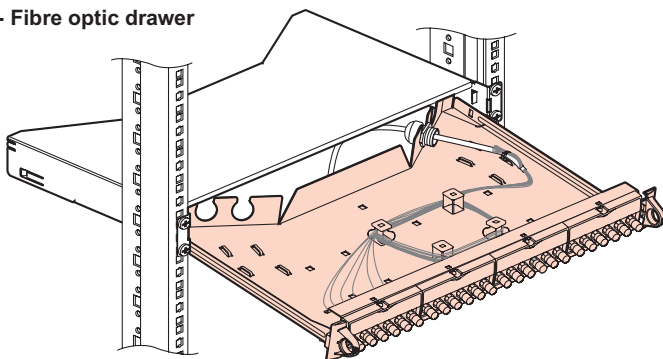
The fibre optic units clip directly onto the fibre optic drawer Cat. No. 0 335 10, or on the patch panels with fibre optic cassette Cat. No. 0 335 11 or in the zone distribution boxes with fibre optic accessory Cat. No. 0 335 20.
Supplied with a label-holder and 6 different coloured labels.

2. RANGE

		Monomode	Multimode	Weight
	LC units for 6 fibres	0 335 13	0 335 18	26
	High-density LC units for 12 fibres		0 335 19	33
	SC units for 6 fibres	0 335 12	0 335 17	43
	ST units for 6 fibres		0 335 16	63
	SC/APC units for 4 fibres	0 327 86		30
	SC/APC units for 6 fibres	0 335 14		33

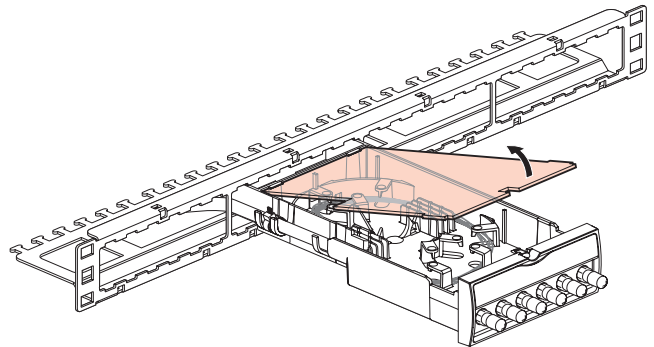
3. MOUNTING

- Fibre optic drawer

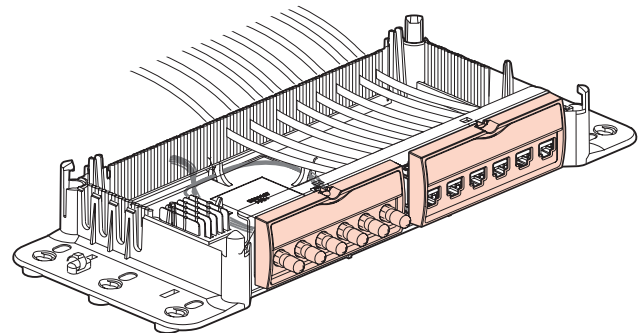


3. MOUNTING (continued)

- Fibre optic cassette

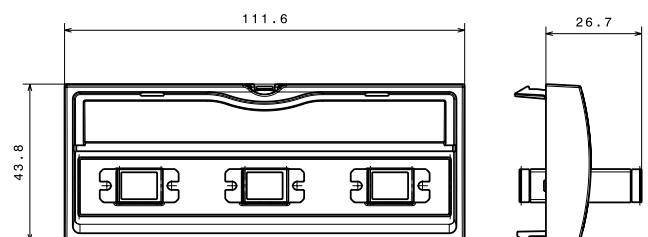


- Zone distribution box



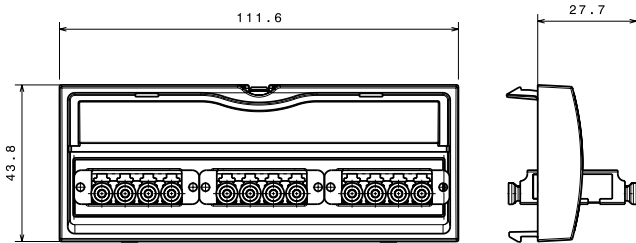
4. OVERALL DIMENSIONS

0 335 13/18

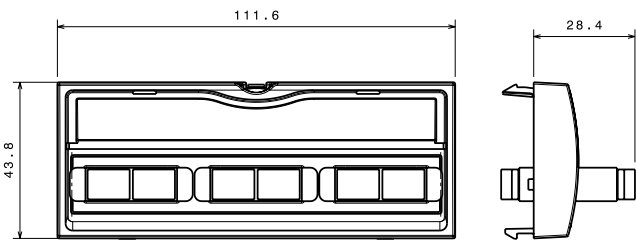


4. OVERALL DIMENSIONS (continued)

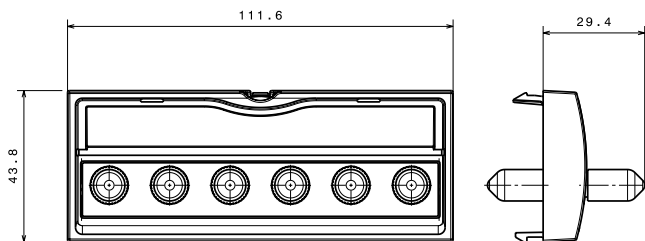
0 335 19



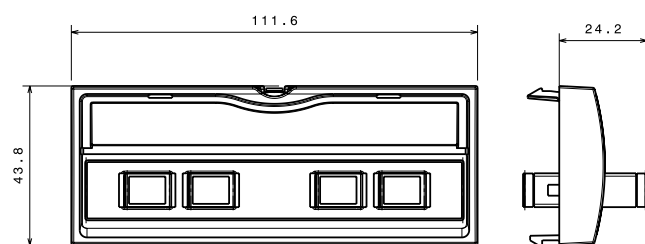
0 335 12/14/17



0 335 16



0 327 86



5. TECHNICAL FEATURES

5.1 Features of the materials

Base: polycarbonate RAL 9005
Label-holder: transparent polycarbonate

5.2 Features of the connectors

ST connector
- Helical shape
- Locked by "push and turn" bayonet type connector

SC connector single mode - multimode
- Rectangular shape
- "Push-pull" latch type locking
- Suitable for a large number of active devices
- Recommended in the generic standards ISO/IEC 11801 and EN 50173

LC connector
- Rectangular shape
- Tab locking
- Size: half the size of a conventional connector

SC/APC connector (0 327 86)
- Single mode APC
- Insertion loss: 0.2 dB
- Endurance (500 insertions): increase of 0.2 dB maximum

SC/APC single mode connector (0 335 14)
- Rectangular shape
- «Push-pull» latch type locking
- Suitable for a large number of active devices
- Green Ral 6029
- Recommended in the generic standards ISO/IEC 11801 and EN 50173

5.3 Climatic features

Usage and storage temperature: - 40°C to + 85°C