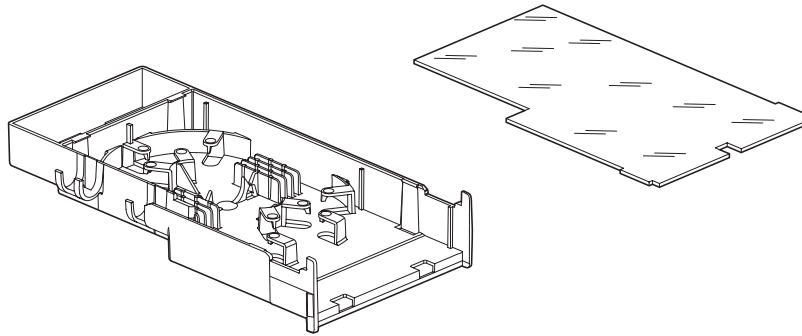


Fibre optic cassette

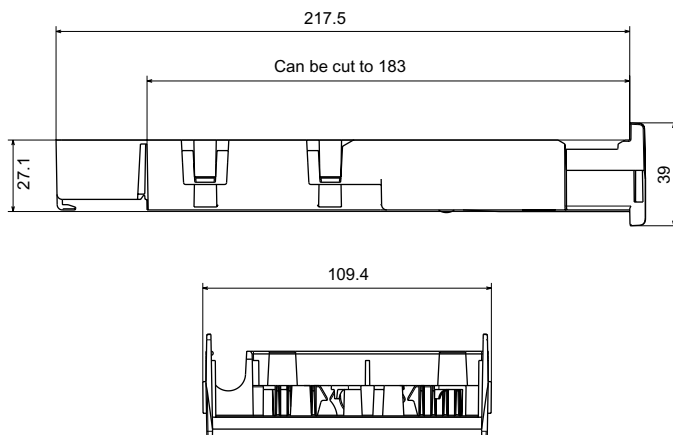
Catalogue number(s): 335 11



1. USE

For fibre coiling (2 to 12 fibres)
Takes one fibre optic unit (Cat. Nos 335 12/13/16/17/18/19).
Use for combining copper and fibre optic units on the same LCS² patch panel

2. OVERALL DIMENSIONS

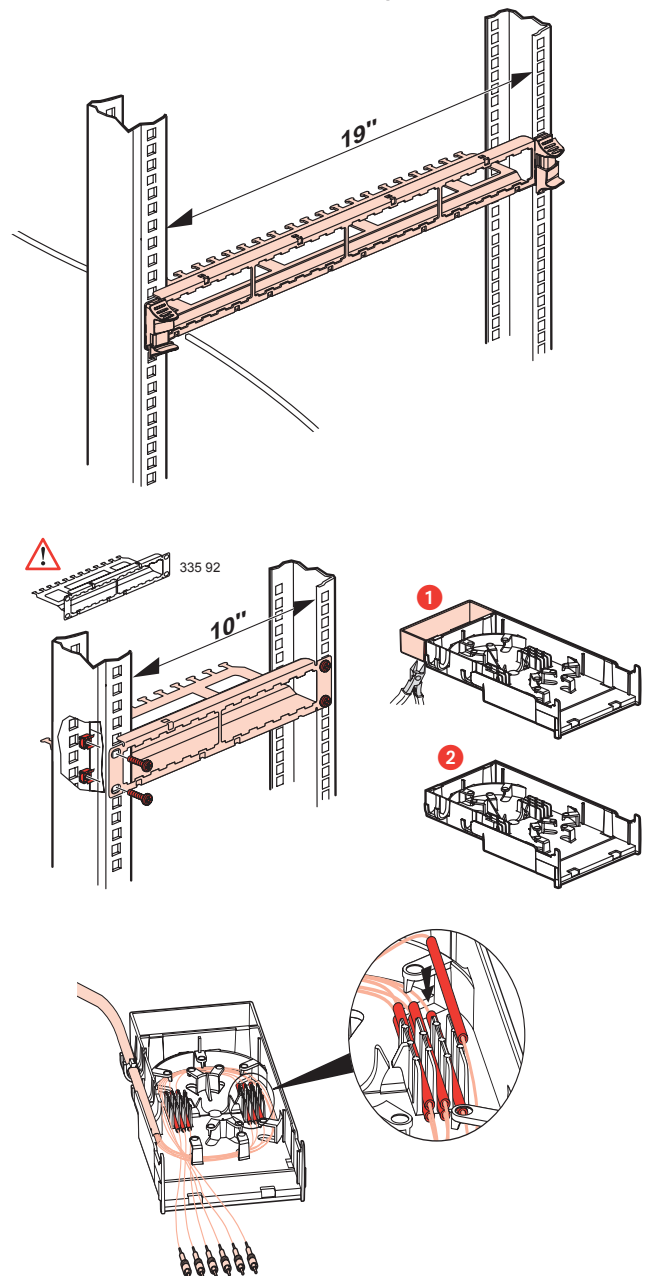


3. ACCESSORIES

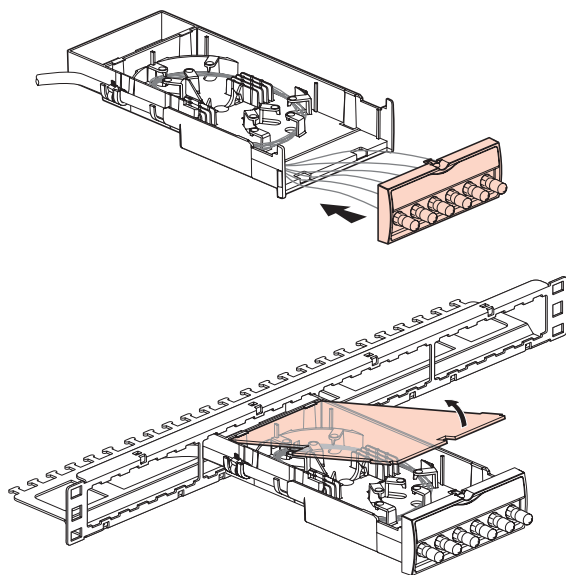
		Single mode	Multimode	Weight
	LC units for 6 fibres	335 13	335 18	26
	High-density LC units for 12 fibres		335 19	33
	SC units for 6 fibres	335 12	335 17	43
	ST units for 6 fibres		335 16	63
	SC/APC units for 4 fibres	327 86		30
	19" panel - 1 U	335 90		
	10" panel - 1 U	335 92		

4. MOUNTING

The cassette is mounted on 10" and 19" panels



4. MOUNTING (continued)



5. TECHNICAL FEATURES

5.1 Features of the materials

Base: polycarbonate, black RAL 9005

Transparent cover: polymethyl methacrylate (plexiglass)

5.2 Technical features

- 1 fibre optic unit can be installed on each cassette (clipped on)
- For installation in a patch panel (can be mounted on 19" and 10" panels)
- Fibre coiled with system which holds the strands and maintains the bending radiuses
- Space for pigtail protective sleeves, can take up to 12 sleeves
- Rear part of the cassette can be cut, enabling incorporation in shallow enclosures (10" enclosure)
- Side entry and fixing of the optical cable ensuring conformity of the cable's bending radius in shallow enclosures
- The cover protects the optical fibres (dust, etc.) and as it is transparent, they can be seen

5.3 Climatic features

Usage and storage temperature: - 40°C to + 85°C