



SELENTA LED Outdoor Light Instruction Manual

Cat. LBL024KWE, LBL024KBL



LBL024KWE

This product must be installed by a licensed electrician.

1 Specifications

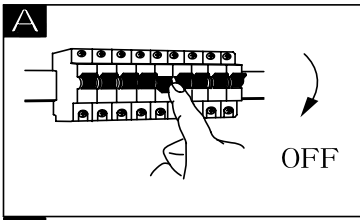
Cat. no.	LBL024KWE, LBL024KBL
lumen package	870lm
Efficacy	72 lm/W
CCT	4000K
Supply Voltage	230-240V a.c 50Hz
Input Power	12W
Colour Rendering Index (CRI)	80+
Beam Angle	N/A
Lifespan	30,000hrs @ 25°C
Dimmable	N/A
Protection Class	Class II
IP Rating	IP65
Warranty	5 yrs

2 Installation

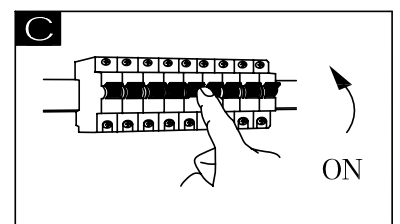
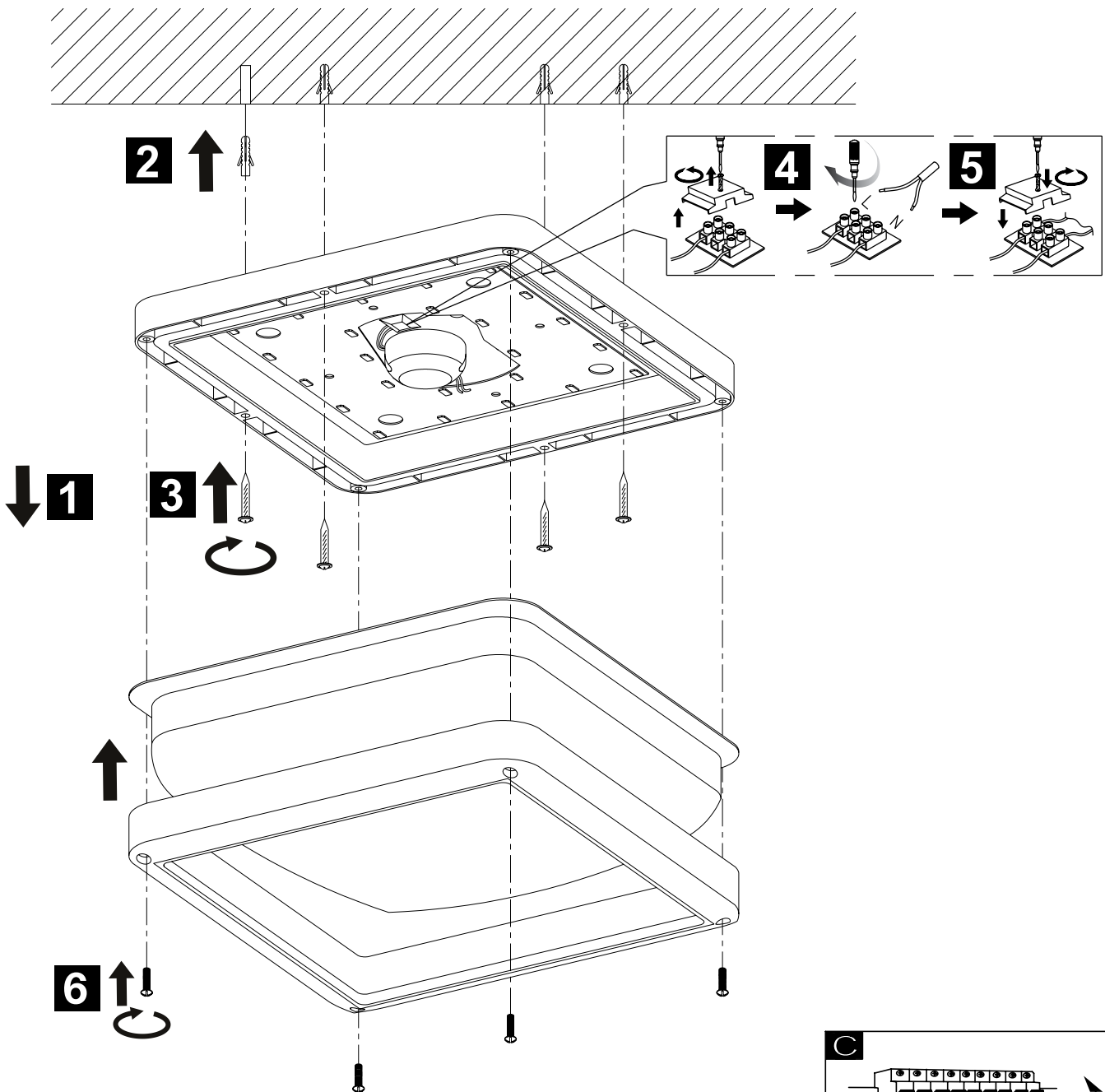
Isolate 240V mains supply before opening fitting for maintenance or installation

1. Remove the cover and diffuser from the fitting by loosening the mounting screws.
2. Use the fitting as a template to mark the screw positions onto the wall / ceiling. Insert mains wiring through silicone grommet located near the terminal block.
3. Install the fitting onto the wall / ceiling.
4. Remove the terminal block cover and connect the mains wiring to the terminal block as marked on the fitting. Ensure that the wires are secure and no bare wires are exposed.
5. Install the terminal block cover back onto the terminal block.
6. Install the diffuser and cover back onto the fitting and tighten the mounting screws.
7. DO NOT MEGGER TEST.

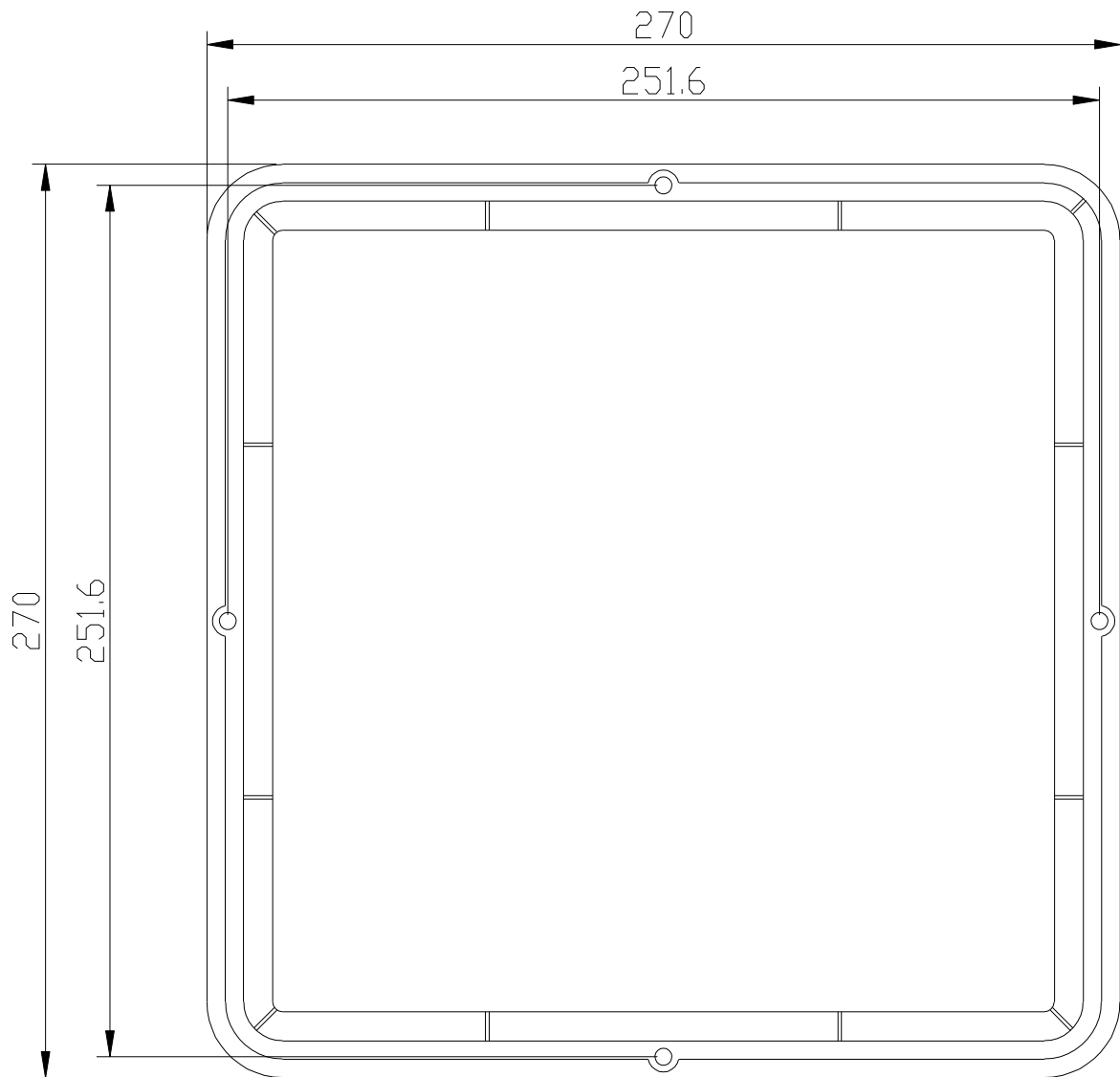
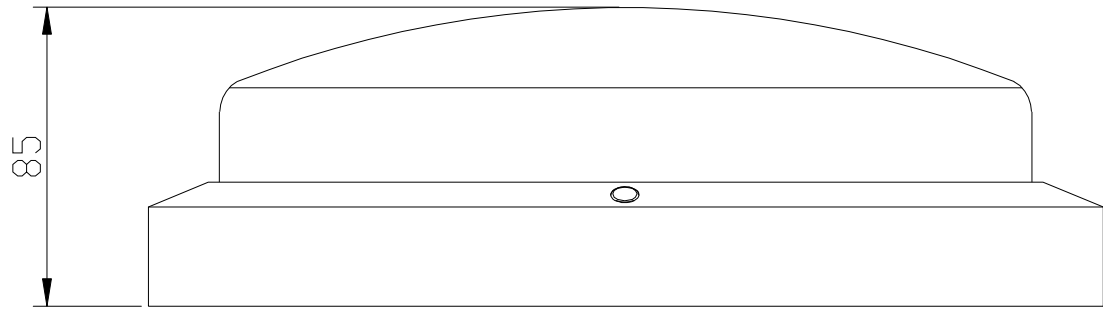
2 Installation (cont.)



B



2 Installation (cont.)



3 Maintenance / cleaning

1. This product should only be cleaned with a damp cloth. Cleaning agents and solvents should not be used.
2. This product should not be cleaned with a hose.

4 Disclaimers

1. This product must be installed and used as per these instructions.
2. An IP rating of IP65 is generally considered suitable for external walls with supplementary protection such as overhanging eaves.
3. The IP rating of this product is only valid when installed on a flat and non-porous surface. Additional sealing may be required for irregular surfaces.
4. The mounting screws on this product should be tightened to a maximum torque of 0.8Nm. Over tightening may damage the product.
5. This product contains no serviceable parts and no attempt should be made to repair it. If the product is faulty it should be discarded.
6. This product is not suitable for installation in hazardous and/or corrosive areas.
7. Electrical installations periodically receive transient over-voltages. This product has been designed to minimise the effect of such voltages on connected equipment. It may not give full protection for extreme over-voltage transients such as those resulting from a close lighting strike.
8. This product utilises intellectual property in the form of registered designs, trademarks, and/or patents. Such intellectual property remains the property of HPM Legrand in all cases.
9. HPM Legrand reserves the right to modify the specification of this product at any time.
10. This product has been designed to operate in ambient temperatures -5°C to 25°C, occasionally reaching 35°C.
11. Stated lifespan is an average. Actual lifespan will vary according to individual circumstances.
12. Extended exposure to UV rays (such as exposure to direct sunlight) may cause discolouration of this product.
13. The material in this product may vary in colour from batch to batch. Colour matching from one batch to another cannot be guaranteed.

Warranty

Legrand warrants this product for a period of 5 years from the date of purchase when used in accordance with these instructions and considering the disclaimers listed herein.

These goods come with guarantees that cannot be excluded under the Australian and New Zealand Consumer Laws. You are entitled to a replacement or a refund for a major failure and for compensation for any other reasonably foreseeable loss or damage. You are also entitled to have the goods repaired if the goods fail to be acceptable quality and the failure does not amount to a major failure.

See the Warranty card enclosed with this product for further details.

Customer Service

For all Customer Service and Technical Support please call Monday to Friday during business hours.

Legrand Australia
1300 369 777
www.hpm.com.au

Legrand New Zealand
0800 476 009
www.hpm.co.nz

ABN: 31 000 102 661

A Group brand |  legrand