




Datasheet

G2 LED Slide Connect - DALI Emergency

CAT. NO. 686200/D, 686208/D, 686206/D



| | |
|-------------------------|--|
| Operation Mode | Maintained |
| Nominal Input Voltage | 230 - 240 V a.c. 50 Hz |
| Power Consumption | 3 W hrc/ 1.9 W lrc |
| Inrush Current | 10 A (peak) |
| Light Source Life (LSL) | 50,000 hrs |
| Battery | NiMH 4.8 V d.c. 2 Ah |
| Body Construction | ABS |
| Diffuser Construction | Polycarbonate |
| IK Rating | IK04 |
| IP Rating | IP20 |
| Operating Temperature | 10° C to 40° C |
| Product Weight | 1.3 kg |
| Compliance | IEC 62385, AS/NZS 2293, AS/NZS 60598 |
| Product Marking |    |

*hrc- high rate charge, lrc- low rate

G2 LED Slide Connect - DALI Emergency

CAT. NO. 686200/D, 686208/D, 686206/D



FEATURES

- Low energy consumption and heat dissipation – save up to 70% on energy consumption.*
- LED maintained exit sign (patent pending)
- Long life LED light source - up to 50,000 hours.
- High resistance polycarbonate clear cover and white ABS housing.
- One box solution.
- Can be wall, ceiling or cantilever mounted.
- High temperature NiMH batteries.
- Large terminal block for ease of connection.
- DALI monitored.
- Low cost maintenance.
- Available in White, Silver and Black body.
- Designed and Manufactured in Australia.

| Cat. No. | Description |
|----------|---|
| 686200/D | Maintained LED set of 3xRM Decals SS/DS - White - Li-ion |
| 686208/D | Maintained LED set of 3xRM Decals SS/DS - Silver - Li-ion |
| 686206/D | Maintained LED set of 3xRM Decals SS/DS - Black - Li-ion |

| Accessories | |
|-------------|---------------------------------------|
| Cat. No. | Description |
| 686215 | Cantilever bracket - White |
| 686216 | Wire suspension kit, silver pair of 2 |
| 686231 | Mounting bracket |
| 686235 | Wire guard single sided |
| 686236 | Wire guard double sided |
| 686260 | Suspension Rod Kit 600 mm – White |
| 686261 | Suspension Rod Kit 1200 mm – White |
| 686262 | Suspension Rod Kit 3000 mm – White |
| 686263 | Suspension Rod Kit 600 mm – Black |
| 686264 | Suspension Rod Kit 1200 mm – Black |
| 686265 | Suspension Rod Kit 3000 mm – Black |
| 686270 | Weatherproof IP65 Enclosure |

RM = Running Man, DS = Double-Sided, SS = Single-Sided

SPACING TABLE

Maximum spacing for 0.2 lux (Australia)

| Mounting Height | 2.4 | 2.7 | 3.0 | 3.3 | 3.6 | 4.0 |
|----------------------|-----|-----|------|------|------|------|
| C ₀ :D5 | 8.0 | 8.1 | 8.2 | 8.2 | 8.1 | 8.0 |
| C ₉₀ :C20 | 9.4 | 9.9 | 10.3 | 10.7 | 11.1 | 11.5 |

As per AS/NZS 2293:2018

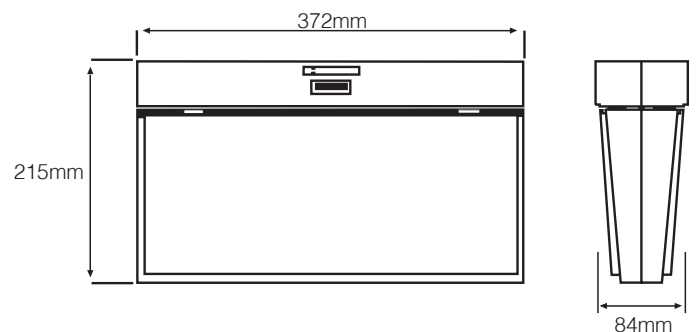
Maximum spacing for 1.0 lux (New Zealand)

| Mounting Height | 2.4 | 2.7 | 3.0 | 3.3 | 3.6 | 4.0 |
|----------------------|------|------|------|-----|-----|-----|
| C ₀ :D5 | 0.0* | 0.0* | 0.0* | N/A | N/A | N/A |
| C ₉₀ :C20 | 5.6 | 5.7 | 5.8 | 5.8 | 5.8 | 5.7 |

As per AS/NZS 2293:2018

* - exit sign satisfies the requirement to illuminate the doorway or potential hazard, however without a spacing for this mounting height as per AS/NZS 2293.1:2018 clause 4.5.

DIMENSIONS



* When compared with traditional fluorescent fitting.

Legrand - Australia
1300 369 777
www.legrand.com.au
ABN 31 000 102 661

Legrand - New Zealand
0800 476 009
www.legrand.co.nz

Refer to your group buying office, Legrand Sales Representative or Legrand Sales Office for pricing.

Please note: specifications are subject to change without prior notice.

