

Datasheet

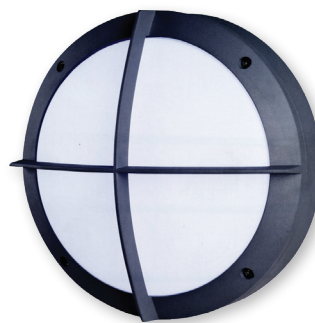


Bulkhead 360 LED DALI Emergency




CAT. NO. 664164/D, 664165/D



664164/D



664165/D

Cat. No.	664164/D	664165/D
Description	Bulkhead R 360 plain LED 4K DALI	Bulkhead R 360 guard LED 4K DALI
Design	Plain	Guard
Nominal Input Voltage	230 - 240 V a.c. 50 Hz	
Operating Mode	Switch Maintained	
Battery	NiMH 5-cell 6 V 4 Ah	
Power Pack Wattage	4.8 W hrc / 2.5 W lrc	
Circuit Power	22.8 W	
Inrush Current	20 A peak	
Light Source Life (LSL)	50,000 hrs	
Luminaire Output (lm)	1800	1600
Classification	C ₀ / C ₉₀ : D50	
Colour Temperature (K)	4000 K	
CRI	>80	
Luminaire Efficacy (lm/W)	81	72
Power Factor	>0.9	
Weight (kg)	4.8	4.9
Ballast type	DALI Dimmable	
Operating Temperature	10°C to 40°C	
IP Rating	IP65	
Impact Rating	IK10	
Body Construction	Die-cast Aluminium	
Diffuser Construction	Frosted Polycarbonate	
Compliance	IEC 62385, AS/NZS 2293, AS/NZS 60598	
Product Marking	  	

*hrc- high rate charge, lrc- low rate charge

Bulkhead 360 LED DALI Emergency

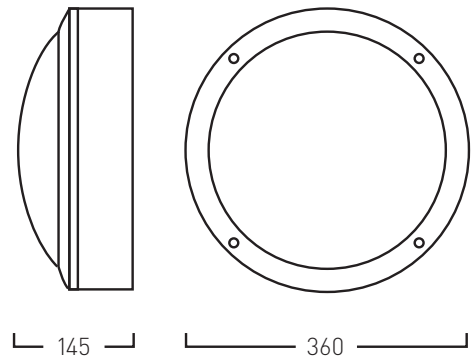
CAT. NO. 664164/D, 664165/D



FEATURES

- L70 @ 50,000 hours
- Large terminal block
- Available in plain or guard.
- DALI computer monitored.
- Designed in Australia.

DIMENSIONS



SPACING TABLE

Maximum Spacing between luminaires for 0.2 lux (Australia)				
Mounting Height (m)	2.4	2.7	3.0	3.3
D50	13.2	14.8	16.5	18.1

As per AS/NZS 2293:2018

Maximum Spacing between luminaires for 1.0 lux (New Zealand)				
Mounting Height (m)	2.4	2.7	3.0	3.3
D50	10.5	10.8	11.0	11.2

As per AS/NZS 2293:2018

Note: Spacing table based on ceiling mounting.

Legrand - Australia
1300 369 777
www.legrand.com.au
ABN 31 000 102 661

Legrand - New Zealand
0800 476 009
www.legrand.co.nz

Refer to your group buying office, Legrand Sales Representative or Legrand Sales Office for pricing.

Please note: specifications are subjected to change without prior notice.



HPML1145B

07/2021