

SUPER LED SATELLITE

DESIGNED TO ILLUMINATE FROM
HIGH CEILINGS AND LARGE AREAS
IN EMERGENCY SITUATIONS



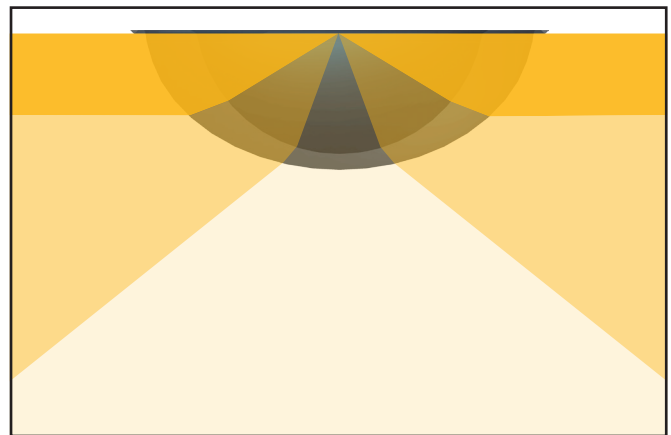
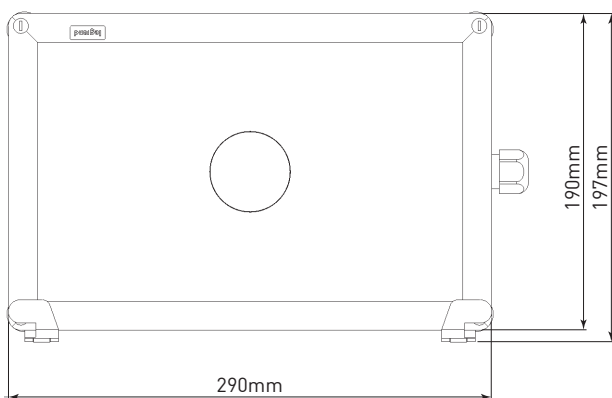
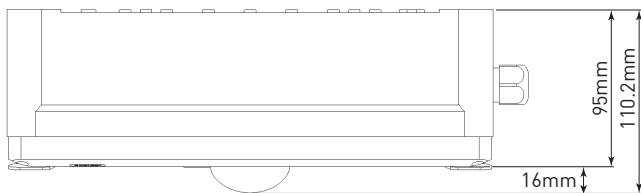
SUPER LED SATELLITE

IDEAL FOR WAREHOUSES, EXHIBITION CENTRES,
AIRPORTS AND INDUSTRIAL APPLICATIONS.

- iSmart™ temperature sensing technology for LIION battery
- Engineered dual refractive lens for wide optical distribution
- Discrete when compared to traditional battens or spotlights
- D100 emergency classification
- Choice of single point unit or wireless GALAXY monitored versions
- Large terminal blocks
- IP65 weatherproof
- IK07 impact rating
- Mounting options include: surface, wall bracket, wire or rod suspension
- 5 year warranty
- Manufactured in Australia

Cat No	Description
Standalone	
685030/LI	Super LED Satellite LIION Grey
685031/LI	Super LED Satellite LIION Black
Galaxy	
659021/LI	Super LED Satellite LIION Grey
659022/LI	Super LED Satellite LIION Black
Accessories	
686266	Suspension Rod Kit 1200MM Length Grey
686267	Suspension Rod Kit 3000MM Length Grey
686268	Suspension Rod Kit 1200MM Length Black
686269	Suspension Rod Kit 3000MM Length Black
686034	Suspension Wire Kit Grey
686035	Suspension Wire Kit Black
686036	Wall Bracket Grey
686037	Wall Bracket Black

DIMENSIONS



Dual refractive lens designed to achieve D100 classification.

