

Datasheet

E2 LED Edgelight - DALI Emergency




CAT. NO. 684730/D, 684731/D, 684733/D



684731/D



684730/D

| | |
|-----------------------|--|
| Operating Mode | Maintained |
| Nominal Input Voltage | 230 - 240 V a.c. 50 Hz |
| Power Consumption | 2.6 W hrc/ 1.8 W lrc |
| Inrush Current | 10 A (peak) |
| Light Source Life | 50,000 hrs |
| Battery | NiMH 3.6 V, 2.1 Ah |
| Operating Temperature | 10° C to 40° C |
| IP Rating | IP20 |
| IK Rating | IK05 |
| Body Construction | Polycarbonate |
| Diffuser Construction | Acrylic |
| Product Weight | Surface Mount: 1.4 kg Recess Mount: 1.9 kg |
| Compliance | IEC 62385, AS/NZS 2293, AS/NZS 60590 |
| Product Marking |    |

*hrc- high rate charge, lrc- low rate charge

E2 LED Edgelight - DALI Emergency

CAT. NO. 684730/D, 684731/D, 684733/D



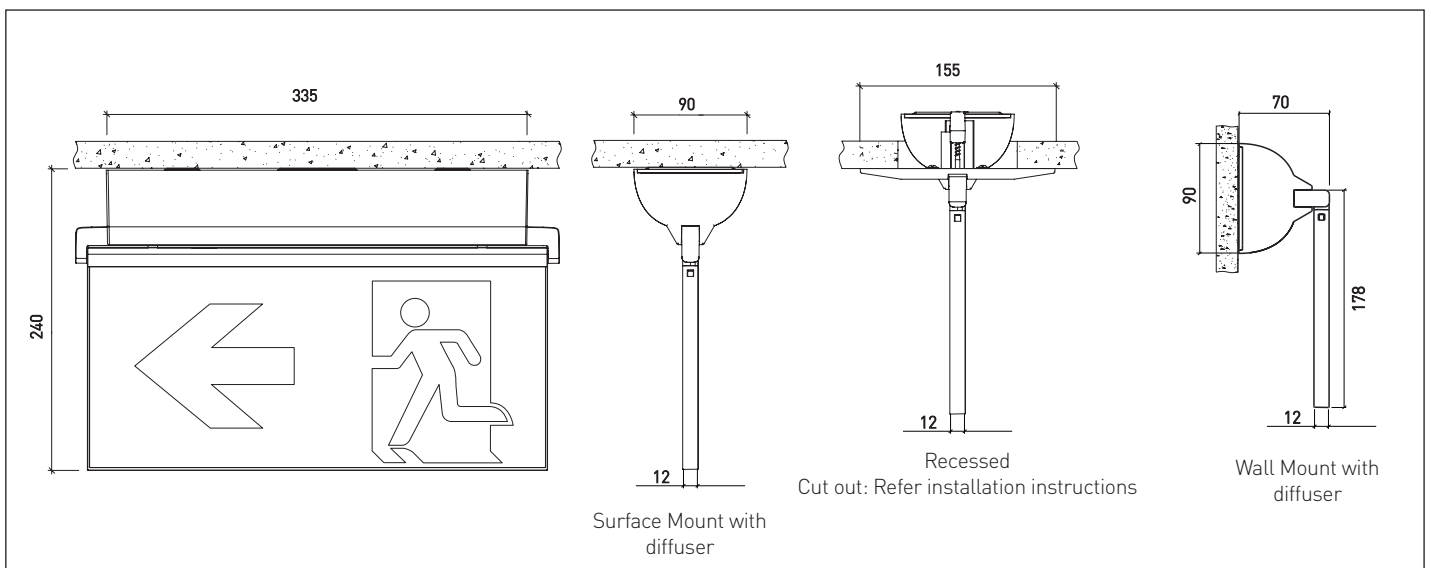
FEATURES

- Premium Exit sign for a wide range of Emergency Lighting applications.
- DALI monitored.
- All-in-one recessed and surface mounting versions for single and double-sided installation.
- Long life LED light source using latest LED strip technology.
- 3W maximum consumption (2.2W typical illuminated on Low rate charge)
- Dual rate + pulsed charging for maximum life of high temperature NiMH batteries.
- 1 Year Warranty.
- Design and Manufactured in Australia.

| Recessed | |
|-----------------|--|
| 684730/D | Maintained LED set of 3xRM Decals SS/DS - White - Li-ion |
| Surface-Mounted | |
| 684731/D | Maintained LED set of 3xRM Decals SS/DS - White - Li-ion |
| 684733/D | Maintained LED set of 3xRM Decals SS/DS - Theatre - Li-ion |
| Accessories | |
| 684737 | E2 Mounting Block Kit - White |
| 684738 | E2 Recess Plate Kit - Black |
| 684739 | E2 Surface Mounting Block Kit - Black |
| 686216 | Wire Suspension Kit (2x6 m) |
| 686235 | Wire guard for Wall Mount Exit Signs |
| 686236 | Wire guard for Ceiling Mount Exit Signs |
| 686260 | Suspension Rod Kit 600 mm - White |
| 686261 | Suspension Rod Kit 1200 mm - White |
| 686262 | Suspension Rod Kit 3000 mm - White |
| 686263 | Suspension Rod Kit 600 mm - Black |
| 686264 | Suspension Rod Kit 1200 mm - Black |
| 686265 | Suspension Rod Kit 3000 mm - Black |
| 659270 | Weatherproof IP65 Enclosure |

RM = Running Man, DS = Double-Sided, SS = Single-Sided

DIMENSIONS



Note: All dimensions are in mm.

E2 LED Edgelight DALI Emergency

CAT. NO. 684730/D, 684731/D, 684733/D



SPACING TABLE

Maximum spacing for 0.2 lux (Australia)

| Classification | Maximum spacing between luminaries Mounting Height (metres) | | | | | |
|----------------------|--|-----|-----|-----|------|------|
| | 2.1 | 2.4 | 2.7 | 3.0 | 3.3 | 3.6 |
| C ₀ :C8 | 6.8 | 7.2 | 7.4 | 7.7 | 7.9 | 8.0 |
| C ₉₀ :C16 | 8.3 | 8.8 | 9.3 | 9.7 | 10.0 | 10.3 |

As per AS/NZS 2293:2018

Maximum spacing for 1.0 lux (New Zealand)

| Classification | Maximum spacing between luminaries Mounting Height (metres) | | | | | |
|----------------------|--|-----|-----|------|------|------|
| | 2.1 | 2.4 | 2.7 | 3.0 | 3.3 | 3.6 |
| C ₀ :C8 | 3.7 | 3.6 | 3.5 | 0.0* | 0.0* | 0.0* |
| C ₉₀ :C16 | 5.0 | 5.1 | 5.2 | 5.2 | 5.2 | 5.1 |

As per AS/NZS 2293:2018

* - exit sign satisfies the requirement to illuminate the doorway or potential hazard, however without a spacing for this mounting height as per AS/NZS 2293.1:2018 clause 4.5.

Legrand - Australia
1300 369 777
www.legrand.com.au
ABN 31 000 102 661

Legrand - New Zealand
0800 476 009
www.legrand.co.nz

Refer to your group buying office, Legrand Sales Representative or Legrand Sales Office for pricing.

Please note: specifications are subject to change without prior notice.

