

Data Sheet



Arteor

Dual USB Charger Mechanism Type A & C

CAT NO. AR770USB2ACMWE, AR770USB2ACMMGN



AR770USB2ACMMGN

Cat No	AR770USB2ACMWE	AR770USB2ACMMGN
Description	Arteor Dual USB Charger Mechanism Type A & C	
Colour	White (WE)	Magnesium (MGN)
Nominal input voltage	230-240V a.c.	
Nominal input frequency	50 Hz	
Nominal input current	250mA	
Stand-by power consumption	< 0.07W	
Nominal output voltage	5V d.c.	
Nominal output current	4.8A total (2.4A max on type A, 3A max on type C)	
Energy efficiency	Level VI, $\geq 84\%$ measured at USB socket output side	
Safety standard	AS/NZS60950-1, AS/NZS 4665, AS/NZS 3100	
Protection class	Class II	
Overload protection on output	Yes	
Surge protection	5.1A \pm 0.2A	
Operating temperature	5° to 40°C	

Arteor Dual USB Charger Mechanism Type A & C



CAT NO. **AR770USB2ACMWE, AR770USB2ACMMGN**

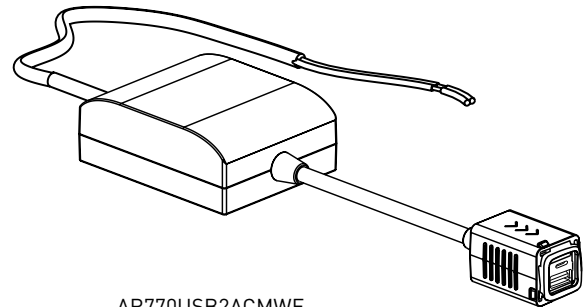


AR770USB2PSAMMGN

- 2 high charging capacity USB ports: 4.8A total
- Capable of charging up to two tablets/smartphones simultaneously at their maximum capacity
- Suitable for smartphones, tablets, fitness bands and running watches
- Charging module installed in wall cavity
- To be installed in Arteor switch plates or powerpoints with an extra mechanism hole
- Suitable for all commercial and residential installations such as kitchens and bedside tables
- Overload protection on output (USB circuit)
- Low standby power consumption: < 0.07W
- Indoor use only

Single product		
Cat No	Barcode	Dimensions (W x H x D)
AR770USB2ACMWE	9321001462132	101 x 101 x 54mm
AR770USB2ACMMGN	9321001462149	101 x 101 x 54mm

Outer box (QTY 12)		
Cat No	Barcode	Dimensions (W x H x D)
AR770USB2ACMWE	9321001462194	200 x 200 x 83mm
AR770USB2ACMMGN	9321001462200	200 x 200 x 83mm



AR770USB2ACMWE
AR770USB2ACMMGN

Legrand - AUS
1300 369 777
www.legrand.com.au
ABN 31 000 102 661

HPM Legrand - NZ
0800 476 009
www.legrand.co.nz

Refer to your group buying office, Legrand Sales Representative or Legrand Sales Office for pricing.

Please note: specifications are subject to change without prior notice.