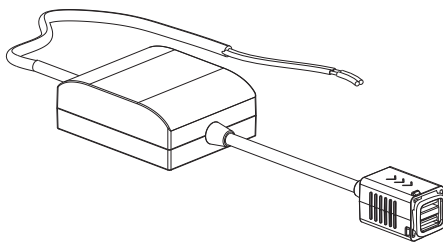




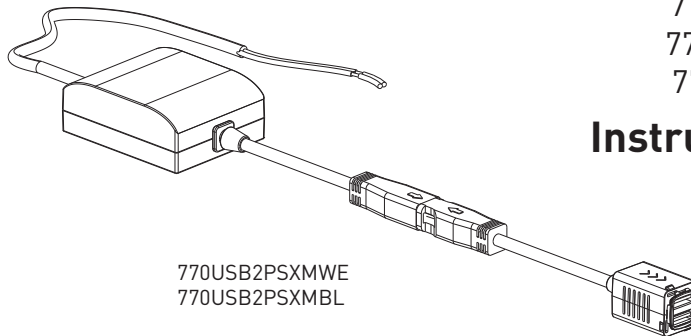
Excel and Linea Dual USB Charger Mechanism

Cat no. 770USB2PSAMWE
770USB2PSAMBL
770USB2PSXMWE
770USB2PSXMBL

Instruction Sheet



770USB2PSAMWE
770USB2PSAMBL



770USB2PSXMWE
770USB2PSXMBL

1 Features

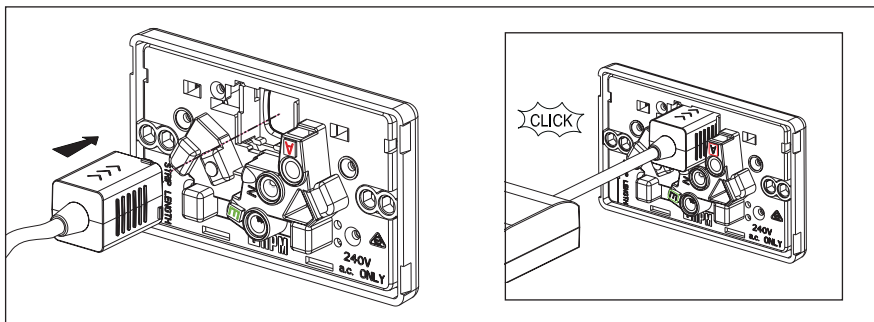
Cat No.	770USB2PSAMWE, 770USB2PSAMBL, 770USB2PSXMWE, 770USB2PSXMBL
Output:	5V d.c. \pm 5% 4.8 A
Input current 10A (GPO):	230-240V a.c. 50Hz
Mains connections:	Via 'A' and 'N' wires
Standby power consumption:	< 0.07W
Overload protection on output:	5.1A

NOTE: USB charger mechanism can be assembled with Excel and Linea powerpoints and switch plates (if Neutral is available) and powerpoints with extra function hole.

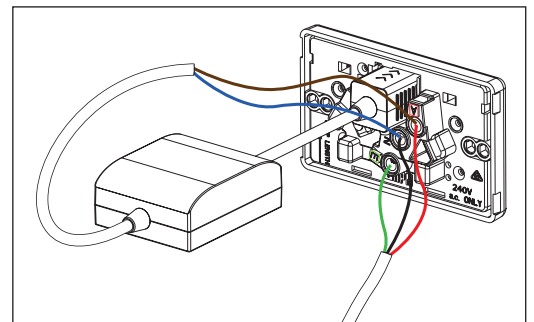
2 Installation

Installation in powerpoints

1. Push USB mechanism into extra function hole with arrows facing up as shown.

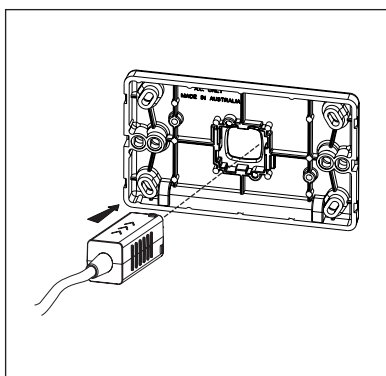


2. Join wires with corresponding Mains cables in the 'A' and 'N' terminals of powerpoint.

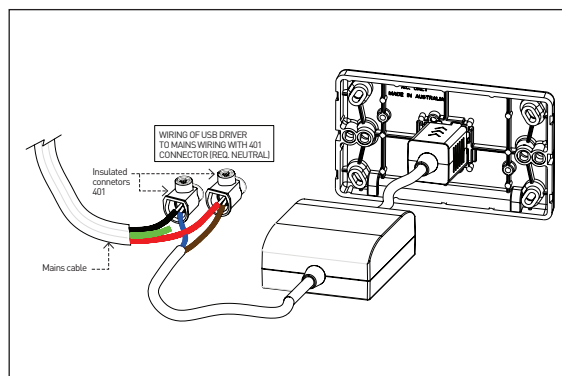


Installation in switch plates

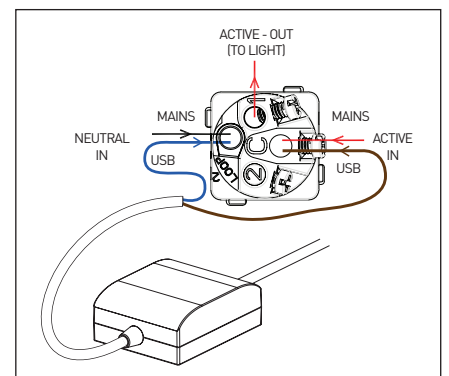
1. Push USB mechanism into extra function hole with arrows facing up as shown.



2a. Configuration with USB mechanism stand alone in plate. Connect USB module wires to the mains cable via insulated connectors (401 series) as per diagram below.

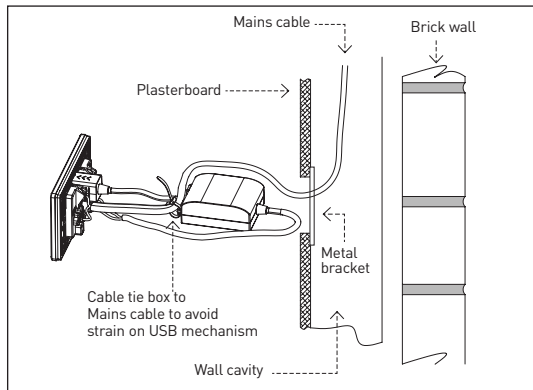


2b. Configuration with USB mechanism installed next to a switch on a plate. Connect USB wires to switch mechanism as per below.

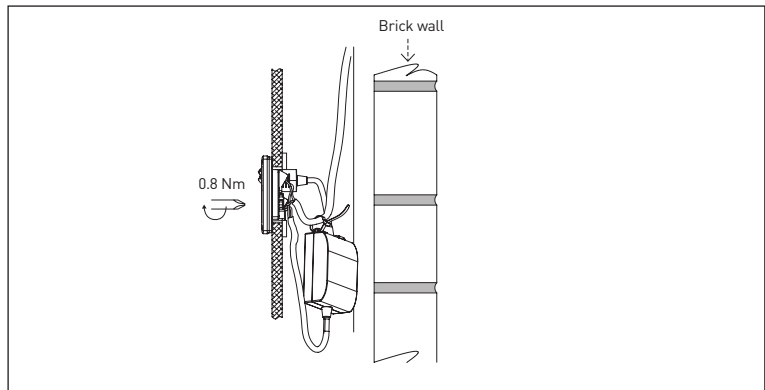


Installation on brick veneer

1. Push assembled unit into the wall cavity.

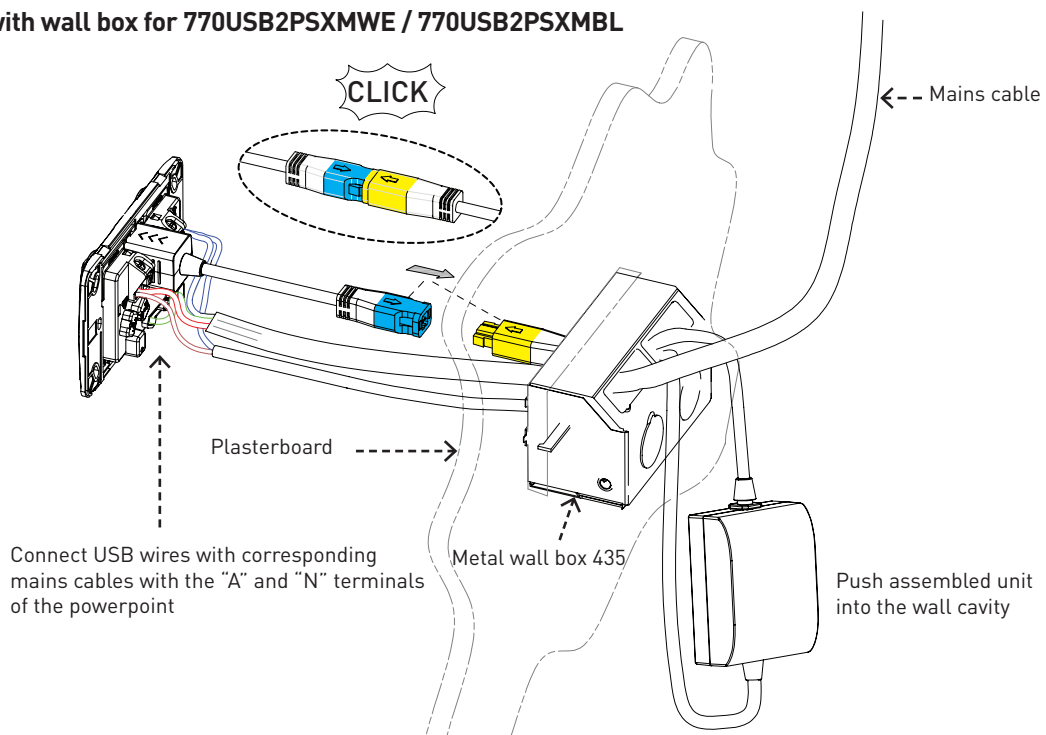


2. Screw the unit to wall with standard mounting accessories and then fix front plate.

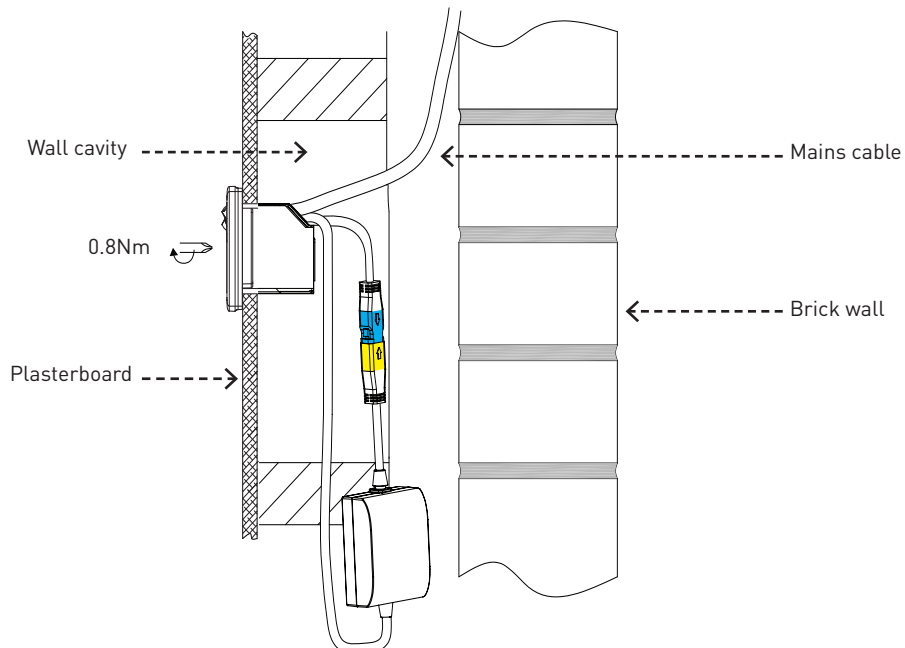


Installation with wall box for 770USB2PSXMWE / 770USB2PSXMBL

1

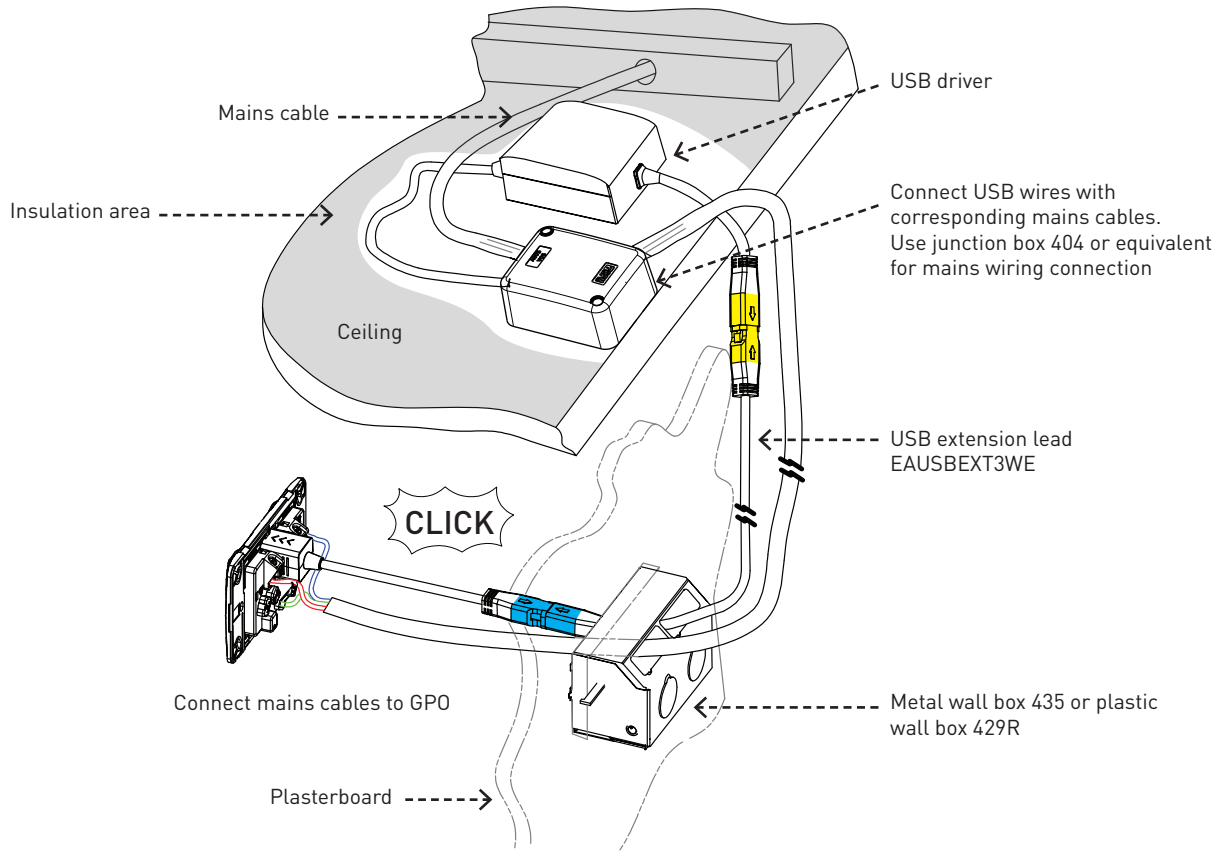


2



Installation with wall box and 3m USB extension lead (EAUSBEXT3WE) for 770USB2PSXMWE / 770USB2PSXMBL

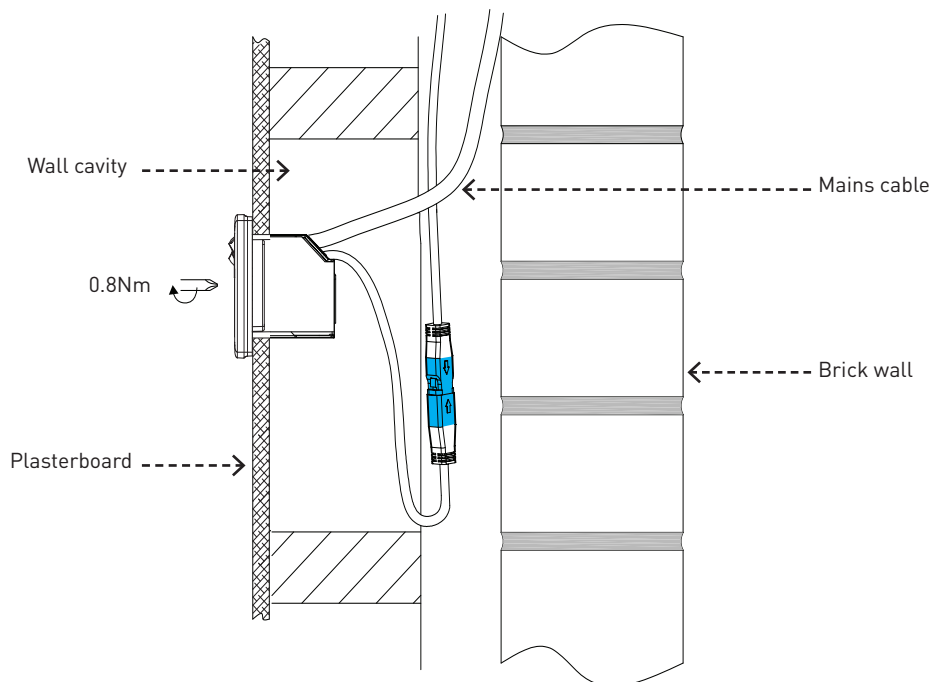
1



Note:

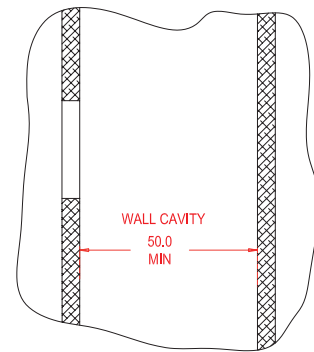
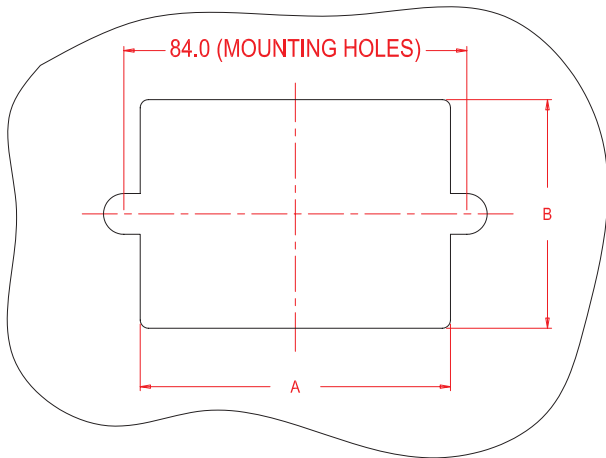
- In application requiring the 3m USB extension lead, it shall not share the same conduit as the 240V a.c. mains wiring in accordance with the Wiring Rules.
- The 3m extension lead is suitable for a standard $\text{Ø}20\text{mm}$ conduit.
- Do not cover this USB driver with insulating matting or similar material under any circumstances.

2



3 Wall Cut Out

Wall cut out for standard installation only



Recommended Cut-Out Sizes to Fit Finished Products					
Used on	A		B		Min Wall Cavity (mm)
	MIN	MAX	MIN	MAX	
XL777X	70	92	50	56	50
XLV777X	74	92	52	56	
LN777X	96	100	58	60	

Disclaimers

- This product must be installed by a licensed electrician.
- For indoor use only.
- Some references are suitable for installation in wall boxes or single brick applications.
- This product should not be installed in areas exposed to constant vibration, temperature fluctuations, or areas of high humidity.
- This product contains no serviceable parts and no attempt should be made to repair this product. If the product is faulty it should be discarded.
- This product has been designed to operate in ambient temperatures 5°C to 40°C.
- The material in this product may vary in colour from batch to batch. Colour matching from one batch to another cannot be guaranteed.
- Electrical installations periodically receive transient over voltages. This product has been designed to minimise the effect of such voltages on connected equipment. It may not give full protection for extreme over voltage transients such as those resulting from a close lighting strike.
- This product has been designed to operate on a nominal supply voltage of 230 - 240V a.c. +/- 6%.
- Cable wiring of different voltage systems, such as Low Voltage and SELV cables, shall not share the same conduit
- This product must be installed and used as per these instructions.
- This product utilises intellectual property in the form of registered designs, trademarks, and/or patents. Such intellectual property remains the property of HPM Legrand in all cases
- HPM Legrand reserves the right to modify the specification of this product at any time.

Warranty

HPM Legrand will honour all statutory guarantees that you as a consumer are entitled to rely upon under the Australian and New Zealand Consumer Laws against a manufacturer including a guarantee that this product is of acceptable quality.

To make a claim under any statutory guarantee you should first contact the supplier, or retailer from whom you purchased this product.

Customer Service

For all Customer Service and Technical Support please call Monday to Friday during business hours.

HPM Legrand Australia
1300 369 777
www.hpm.com.au

HPM Legrand New Zealand
0800 476 009
www.hpm.co.nz

ABN: 31 000 102 661

A Group brand | legrand