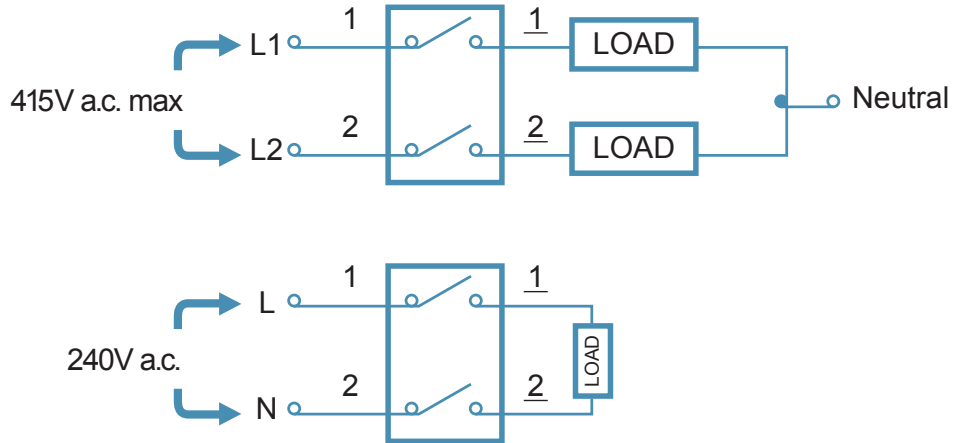


**Application:**

- Applicable for appliances with a 2 phase plus neutral supply.
- Suitable as phase to neutral double pole switch
- Not suitable as a 415V~ phase-to-phase double pole switch with load directly across switch.

**Wiring Diagram**



**CAUTION: Do not use other wiring circuits**

**Warranty**

HPM Legrand will honour all statutory guarantees that you as a consumer are entitled to rely upon under the Australian Consumer Law against a manufacturer including a guarantee that any products HPM Legrand has manufactured or imported are of acceptable quality.

To make a claim under any statutory guarantee (or other warranty) you should first contact the supplier, contractor or retailer from whom you purchased the products.

**Customer Service**

For all Customer Service and Technical Support enquires please call Monday to Friday during business hours.

HPM Legrand Australia  
1300 369 777  
www.hpmlgrand.com.au

HPM Legrand New Zealand  
0800 476 009  
www.hpmlgrand.co.nz

ABN: 31 000 102 661