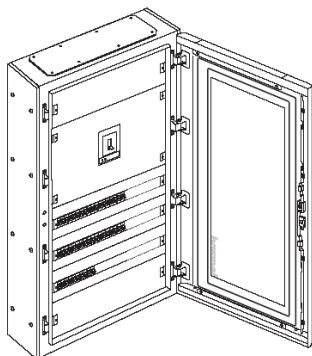


XL³ 800 IP 55 metal distribution cabinets, free-standing enclosures and cable compartments

Cat. No(s) : 20451/52/53/54/56/57/58/59/73/74



CONTENTS	PAGE
1. General characteristics	1
2. Finish	1
3. Range	1
4. Overall dimensions	2
5. Equipment	3
6. Accessories	5

1. GENERAL CHARACTERISTICS

Extendable one-piece metal distribution cabinets, free-standing enclosures and cable compartments supplied without side panels. Free-standing enclosures (H ? 1595 mm) are supplied with a plinth.

- Ingress protection against solids and liquids to standards IEC 60529 and NF EN 60529 :
 - IP 55 with door
- Mechanical impact rating to standards NF EN 50102 and NF C20.015 :
 - IK 08 with door
- Maximum current strength: 630 A
- Maximum tolerated surge intensity I_{cw} and associated peak current I_{pk} : 25 kA 1s
- I_{pk} : 50 kA

1-1 Structure

- One-piece free-standing enclosures in steel plate fitted top and bottom with cable entry panels and side openings to allow horizontal coupling
 - Rear fitted with 2 mounting supports perforated at 25 mm intervals.
 - Multihead fastener set (PZ, slotted, H10 head)
 - Wall fixture by external brackets (included).
 - Metal side panels must be ordered separately.
- Reversible metal doors with or without window, flat or curved, delivered with handle (without barrel), angle of opening 120° (to be ordered separately).
- Capacity: 24 and 36 modules per row.

1-2 Standard conformity

- Legrand cabinets and free-standing enclosures are designed in compliance with all the relevant international standards.

CEI 60529	Degree of protection provided by enclosures (IP code)
EN 60529	
NFC 20-015	Degree of protection provided by enclosures of electrical equipment against external mechanical impact (IK code)
NF EN 50102	
CEI 60439-1	Low voltage switchgear and controlgear assemblies
NF EN 60439-1	
CEI 60439-3	Low voltage switchgear and controlgear assemblies
NF EN 60439-3	

1. GENERAL CHARACTERISTICS (cont.)

1-3 Resistance to climatic conditions :

- Salt spray : 1000 h
- Operating temperature : - 5°C à + 40° C
- Storage temperature : - 10°C à + 70°C

1-4 Fire resistance :

- Glow wire resistance 750° C / 30 s to IEC 60695.2

2. FINISH

2-1 Outer housing

- One-piece cabinet in steel plate th. 10/10 mm
- Upper and lower cutaway cable entry panels in painted steel plate th. 10/10 mm colour grey RAL 7035
- Side panels in painted steel plate th. 10/10 mm colour grey RAL 7035 (to be ordered separately).
- Faceplate in painted steel plate th. 12/10 mm colour grey RAL 7035 (to be ordered separately).
- Metal door th. 12/10 mm colour grey RAL 7035

2-2 Coating

- Beige RAL 7035 epoxy polyester powder-coated paint coating thickness 50/70 µ.

3. RANGE

3-1 Metal one-piece boxes

- Delivered with mounting supports attached to rear panel, cutaway cable entry panels and wall mounting brackets. Boxes Cat. No. 20456/57 can include a built-in cable compartment.

Height mm	Inside height mm	Inside width mm	Inside depth below faceplate mm	Nb Modules	Weight kg	Cat. No.
1095	1000	600	197	24	28	20451
1295	1200	600	197	24	30	20452
1095	1000	850	197	36*	36	20456
1295	1200	850	197	36*	42,5	20457

*24 modules with internal cable compartment

XL³ 800 IP 55 metal distribution cabinets, free-standing enclosures and cable compartments

Cat. No. (s) : 20451/52/53/54/56/57/58/59/73/74

3. RANGE (cont.)

3-2 Metal free-standing enclosures

- Delivered with mounting supports attached to rear panel, cutaway cable entry panels and plinth height 100 mm. Free-standing enclosures Cat. No. 20458/59 can include a built-in cable compartment

Height mm	Inside height mm	Inside width mm	Inside depth below faceplate mm	Nbre Modules	Weight kg	Cat. No.
1595	1400	600	197	24	43	20453
1995	1800	600	197	24	52	20454
1595	1400	850	197	36*	52	20458
1995	1800	850	197	36*	60	20459

*24 modules with internal cable compartment

3-3 Cable compartments for metal free-standing enclosures

- Delivered with mounting supports attached to rear panel, without metal side panels, and plinth height 100 mm.

Height mm	Inside height mm	Inside width mm	Inside depth below faceplate mm	Weight kg	Cat. No.
1595	1400	400	197	28,5	20473
1995	1800	400	197	34,5	20474

3-4 Metal side panels

- Cat. No. 20466 set of 2 side panels for cabinet height 1095 mm
- Cat. No. 20467 set of 2 side panels for cabinet height 1295 mm
- Cat. No. 20468 set of 2 side panels for free-standing enclosure height 1595 mm
- Cat. No. 20469 set of 2 side panels for free-standing enclosure height 1995 mm

4. OVERALL DIMENSIONS

4-1 Cabinets

Cat. No.	H	W	D	D+Door
20451	1095	700	240	250
20452	1295	700	240	250
20456	1095	950	240	250
20457	1295	950	240	250

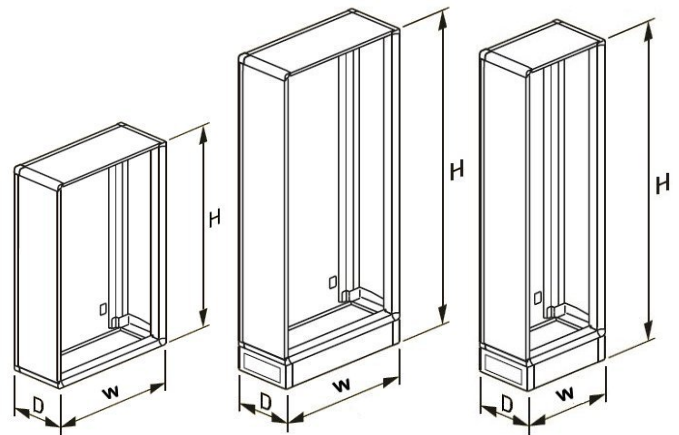
4-2 Free-standing enclosures

Cat. No.	H	W	D	D+Door
20453	1595	700	240	250
20454	1995	700	240	250
20458	1595	950	240	250
20459	1995	950	240	250

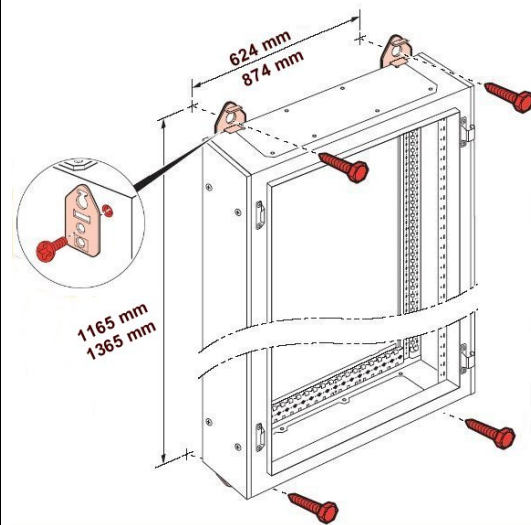
4. OVERALL DIMENSIONS (cont.)

4-3 Cable compartments

Cat. No.	H	W	D	D+Door
20473	1595	460	240	250
20474	1995	460	240	250

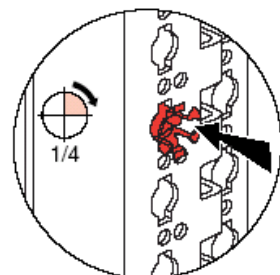


4-4 Wall-mounting



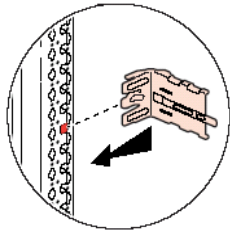
4-5 Passthrough

- Mounting supports
- Steel profiled mounting supports with 3 alternating perforations
- Perforated at 25 mm intervals for fixing nut clips



4. OVERALL DIMENSIONS (cont.)

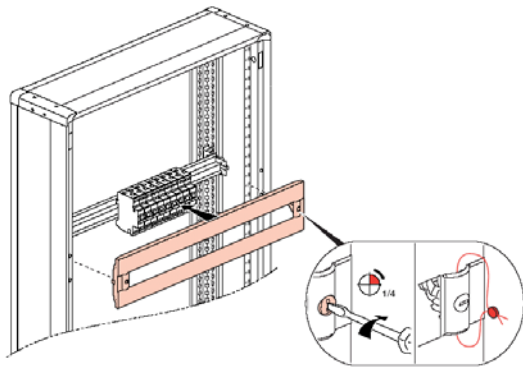
- Perforated at 25 mm intervals for fixing rail support brackets



- Perforated at 25 mm intervals (diameter 4.5 mm) for screw attachment

5. EQUIPMENT

Faceplates



Sealable ¼-turn fix and release faceplates, and faceplates with captive screws

Screw faceplates can include hinges Cat. No. 20959

- Plain metal faceplates

¼-turn 24 modules	Screw 24 modules	Screw 36 modules	Height (mm)
20840	20940	20990	50
20841	20941	20991	100
20842	20942	20992	150
20843	20943	20993	200
20844	20944	20994	300
20845	20945	20995	400
20846	20946	20996	600

- Faceplate panels for rail-mounted devices, Lexic, Vistop up to 160A, DPXIS 250, DPX 125, DPX 160 and DPX 250 ER

¼-turn 24 modules	Screw 24 modules	Screw 36 modules	Height (mm)
20800	20900	20950	150
20801	20901	20951	200
20810	20910	20960	300

5. EQUIPMENT (cont.)

- For devices on fixing plate in vertical position DPXIS 250, DPXIS 630 and Vistop 800A

¼ turn 24 modules	Screw 24 modules	Screw 36 modules	Height (mm)
20810	20910	20960	300
20806	20906	20957	300
20807	20907		300
	20909		300

- For devices on fixing plate in vertical position DPX 125, 160 and 250 ER

¼ turn 24 modules	Screw 24 modules	Screw 36 modules	Height (mm)
20810	20910	20960	300
20812	20912	20962	400

- For devices on fixing plate in horizontal position DPX 125, 160 and 250 ER

¼ turn 24 modules	Screw 24 modules	Height (mm)
20814	20914	200
20815	20915	200
20816	20916	200
	20810	300

- For devices on fixing plate in vertical position DPX 250 and 630 fixed version, front terminal

¼ turn 24 modules	Screw 24 modules	Screw 36 modules	Height (mm)
20820	20920	20970	400
20822	20922	20972	600

- For devices on fixing plate in horizontal position DPX 250 and 630 fixed version, front terminal

¼ turn 24 modules	Screw 24 modules	Height (mm)
20824	20924	200
20825	20925	300

- Ventilation screw faceplate height 200 mm

- Cat. No. 20949: 24 modules

- Cat. No. 20999: 36 modules

- Plain faceplates with hinges and locks for internal cable compartments

- Cat. No. 20446: for cable compartment height 1095 mm

- Cat. No. 20447: for cable compartment height 1295 mm

Faceplate with hinges and locks for internal cable compartments, pre-cut for DPX 250 or 630 with or without RCD

- Cat. No. 20448: for cable compartment height 1400 mm

- Cat. No. 20449: for cable compartment height 1800 mm

5. EQUIPMENT (cont.)

- Faceplate with hinges and locks for external cable compartments, pre-cut for DPX 250 or 630 with or without RCD
- Cat. No. 20443: for cable compartment height 1400 mm
- Cat. No. 20444: for cable compartment height 1800 mm

Doors for cabinets and free-standing enclosures

Metal	Transp.	Width (mm)		Height (mm)	Cabinet/door distance (mm)	
		700	950		Metal	Transp.
21271	21281	X		1095	48	44
21272	21282	X		1295	48	44
21276	21286		X	1095	48	44
21277	21287		X	1295	48	44
21273	21283	X		1595	48	44
21274	21284	X		1995	48	44
21278	21288		X	1595	48	44
21279	21289		X	1995	48	44

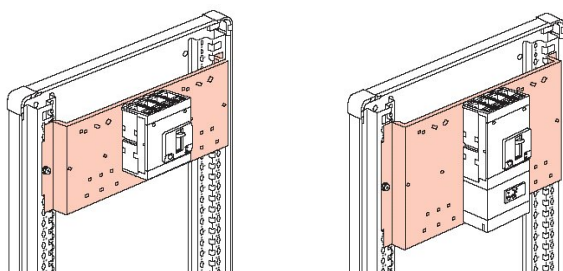
Internal cable compartments

Kit for cabinets and free-standing enclosures width 950 mm accommodating internal cable compartment of inside length 250 mm right or left

- Cat. No. 20426 for cabinet height 1095 mm
- Cat. No. 20427 for cabinet height 1295 mm
- Cat. No. 20428 for free-standing enclosure height 1595 mm
- Cat. No. 20429 for free-standing enclosure height 1995 mm

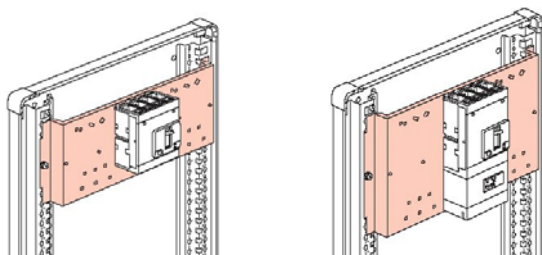
Fixture

- Cat. No. 20678 for DPX 250 and 630 vertical
- Cat. No. 20679 for DPX 250 and 630 vertical with RCD



External cable compartments

- Fixture
- Cat. No. 20628 for DPX 250 and 630 vertical
- Cat. No. 20629 for DPX 250 and 630 vertical with RCD



5. EQUIPMENT (cont.)

- Doors for external cable compartments
- Cat. No. 20483: for cable compartment height 1595 mm
- Cat. No. 20484: for cable compartment height 1995 mm

Fixture on omega rail

- Cat. No. 20600 2-position 24-module device for modular products and Vistop up to 160 A, DPXIS 250, DPX 125,160 and 250 ER
- Cat. No. 20650 2-position 36-module device for modular products and Vistop up to 160 A, DPXIS 250, DPX 125,160 and 250 ER
- Cat. No. 26208 Fixing plate for DPX 125
- Cat. No. 26209 Fixing plate for DPX 160 and DPX 250 ER
- Cat. No. 26239 Fixing plate for DPXIS 250
- Cat. No. 26299 20-module rail spacer for use with Cat. No. 20600 or Cat. No. 20650

Fixing plates

- Cat. No. 20605 24 modules for 1 or 2 DPXIS 250
- Cat. No. 20655 36 modules for 1 or 2 DPXIS 250
- Cat. No. 20607 24 modules for 1 or 2 DPXIS 630
- Cat. No. 20657 36 modules for 1 or 2 DPXIS 630
- Cat. No. 20609 24 modules for 1 Vistop 800

Fixing plates for fixed-version devices, with front terminal

- Device in vertical position

- Cat. No. 20610 24 modules for 1 to 3 DPX 125, DPX 160 or DPX 250 ER
- Cat. No. 20660 36 modules for 1 to 3 DPX 125, DPX 160 or DPX 250 ER
- Cat. No. 20612 24 modules for 1 to 3 DPX 125, DPX 160 or DPX 250 ER with downstream RCD
- Cat. No. 20662 36 modules for 1 to 3 DPX 125, DPX 160 or DPX 250 ER with downstream RCD
- Cat. No. 20620 24 modules for 1 to 3 DPX 250 or DPX 630
- Cat. No. 20670 36 modules for 1 to 3 DPX 250 or DPX 630
- Cat. No. 20622 24 modules for 1 to 3 DPX 250 or DPX 630 with RCD
- Cat. No. 20672 36 modules for 1 to 3 DPX 250 or DPX 630 with RCD

-Device in horizontal position

- Cat. No. 20614 24 modules for 1 DPX 125 or DPX 160 with or without downstream RCD
- Cat. No. 20616 24 modules for 1 DPX 250 ER with or without downstream RCD
- Cat. No. 20624 24 modules for 1 DPX 250 with or without RCD
- Cat. No. 20625 24 modules for 1 DPX 630 with or without RCD

Fixing plates for source inverters

- Manually operated devices in vertical position
- Cat. No. 20664 24 modules for 2 DPX 160
- Cat. No. 20666 24 modules for 2 DPX 250 ER

5. EQUIPMENT (cont.)

Universal fixing plates

- Perforated fixing plates width 600 mm
- Cat. No. 20641 Height 200mm
- Cat. No. 20642 Height 400mm

Plain fixing plates width 600 mm

- Cat. No. 20643 Height 200mm
- Cat. No. 20644 Height 400mm
- Cat. No. 20645 Height 600mm

Plain fixing plates width 850 mm

- Cat. No. 20646 Height 400mm

Universal rails

- Cat. No. 20604 Width 600mm
- Cat. No. 20654 Width 850mm

Universal adjustable fixtures

- Cat. No. 20602 For cabinets and free-standing enclosures, 24 modules
- Cat. No. 20652 For cabinets and free-standing enclosures, 36 modules

6. ACCESSORIES

Plinths height 100 mm for cabinets and free-standing enclosures

- Cat. No. 20460 Width 700 mm
- Cat. No. 20461 Width 950 mm
- Cat. No. 20462 For cable compartments width 500 mm

Blanks

- Cat. No. 20051 Cutaway 24-module blanking plate
- Cat. No. 01665 Breakaway 18-module adjustable strip, separation by module or 1/2-module

Clip-on adhesive label holder

- Cat. No. 20399 Clip-on adhesive label holder for marking rows on faceplate

Kits

- Cat. No. 20585 Sealing kit for coupling
- Cat. No. 20486 Coupling kit

Nut clips for mounting supports

- Cat. No. 20092 Nut for M6 screw
- Cat. No. 20091 M6 screw



Nut clips for perforated fixing plates

- Cat. No. 36440 For M4 screw
- Cat. No. 36441 For M5 screw

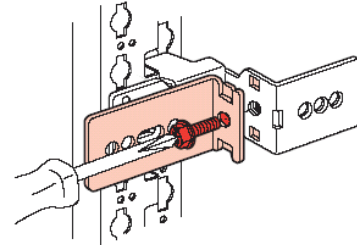


- Cat. No. 36774 Insulated M 6 screw

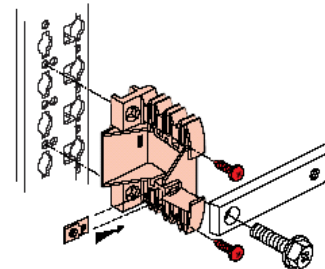
6. ACCESSORIES (cont.)

Fixture for Lina 25 cable ducting

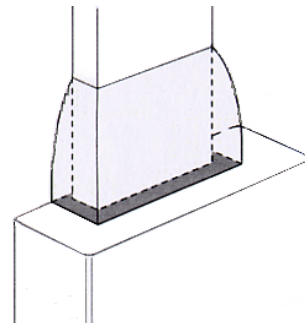
- Cat. No. 20470 For cabinets and free-standing enclosures 36 modules
- Cat. No. 20570 For cabinets and free-standing enclosures 24 modules



- Cat. No. 20090 Insulated fixing support



- Cat. No. 20160 Finishing strip for DLP / cabinet connection



Door accessories

- Key barrels and knockouts, supplied with 2 keys
- Cat. No. 20291 Type 405
- Cat. No. 20292 Type 455
- Cat. No. 20293 Type 1242E
- Cat. No. 20294 Type 2433A
- Cat. No. 20296 Double bar knockout
- Adhesive transparent document holder
- Cat. No. 09799 Flexible plastic A4
- Cat. No. 36582 Rigid plastic IP 50

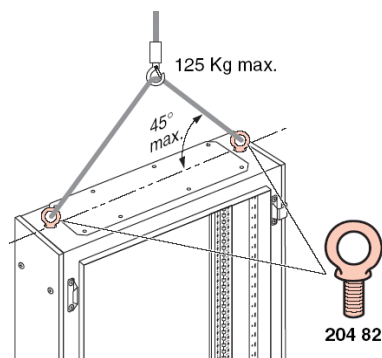
6. ACCESSORIES (cont.)

Connection for protective conductors

- Cat. No. 04819 Flat bar 12 x 2 for IP2X terminal blocks
- Cat. No. 37349 Copper bar 12 x 4
- Cat. No. 37389 Copper bar 12 x 4 with M 5 tapped holes
- Cat. No. 39399 Support for bars Cat. Nos 37301/02/89 and bar Cat. No. 04819
- Cat. No. 37360 Connector for conductor 1.5 mm²
- Cat. No. 37361 Connector for conductor 6 to 16 mm²
- Cat. No. 37362 Connector for conductor 10 to 35 mm²
- Cat. No. 37365 Connector for bar 12 x 4 with tapped holes
- Cat. No. 37385 Equipotential connector cable 6 mm²

Transport & handling

- Cat. No. 20482 Set of 2 lifting rings



Paint spray

- Cat. No. 20098 RAL 7035