

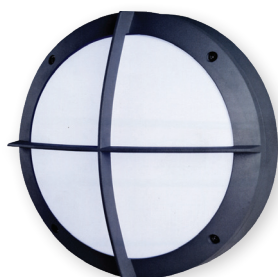
Datasheet

Bulkhead 265 LED Mains

CAT. NO. 664172, 664173, 664174





664172



664173



664174

Cat. No.	664172	664173	664174
Description	BULKHEAD R 265 LED 18W 4K	BULKHEAD R 265 LED 18W 4K	BULKHEAD R 265 LED 18W 4K
Design	Plain	Guard	Eyelid
Nominal Input Voltage	230 - 240 V a.c. 50 Hz		
Inrush Current	28 A peak		
Light Source Life (LSL)	50,000 hrs		
Luminaire Output (lm)	1800	1500	900
Colour Temperature	4000 K		
CRI	>80		
Circuit Power	18 W		
Luminaire efficacy (lm/W)	100	89	50
Power Factor	>0.9		
Weight (Kg)	1.8	1.9	2.0
Ballast Type	Fixed output/Non-Dimmable		
Operating Temperature	10°C to 40°C		
IP Rating	IP65		
Body Construction	Die-cast Aluminium		
Diffuser Construction	Frosted Polycarbonate		
Geartray Construction	High reflective White powder coated mild Steel		
Compliance	AS/NZS 2293, AS/NZS 60598		
Product Marking	 		

Bulkhead 265 LED Mains

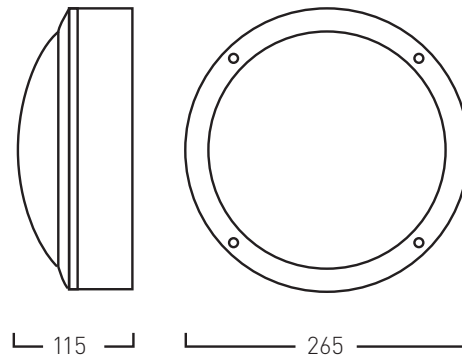
CAT. NO. 664172, 664173, 664174



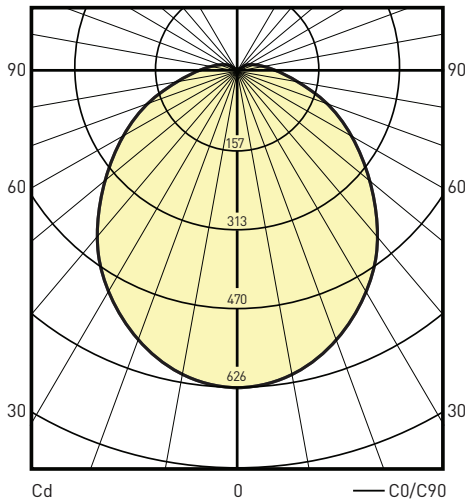
FEATURES

- L70 @ 50,000 hours
- Large terminal block.
- Available in plain, guard or eyelid.
- 5 Year Warranty
- Designed in Australia.

DIMENSIONS



Polar Curve



664172 - Bulkhead R 265 Plain LED 18W 4K Mains
ULOR: 3%
DLOR: 97%

Note: All dimensions are in mm.

Legrand - Australia
1300 369 777
www.legrand.com.au
ABN 31 000 102 661

Legrand - New Zealand
0800 476 009
www.legrand.co.nz

Refer to your group buying office, Legrand Sales Representative or Legrand Sales Office for pricing.

Please note: specifications are subjected to change without prior notice.



HPML0436B

07/2021