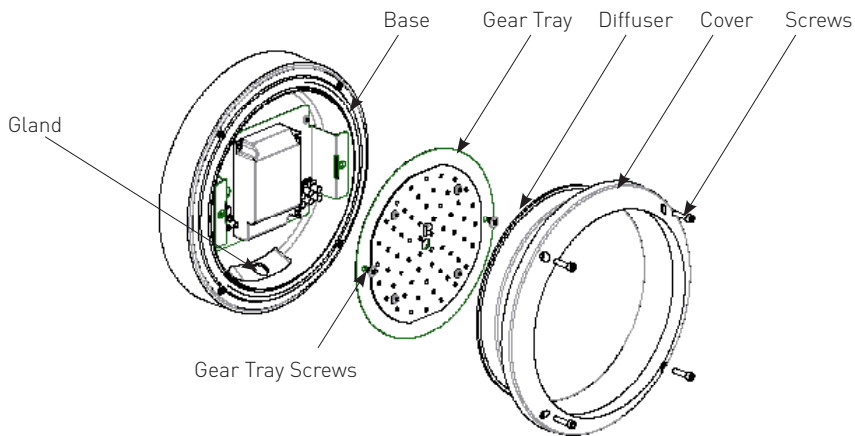


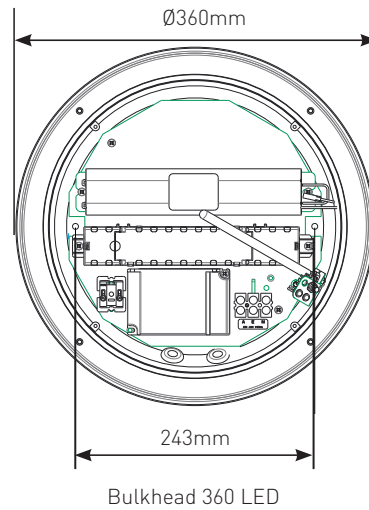
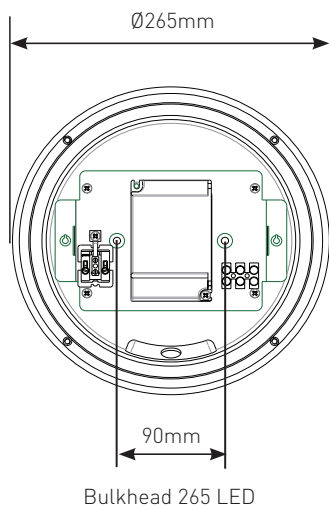
Specifications:

Supply Voltage	230 - 240 V a.c. 50 Hz
Power Factor	> 0.9
Colour Temperature	4000 K
IP Rating	IP65
IK Rating	IK10

Overview



Mounting Centres



Installation

- Disconnect mains supply before installing, servicing or maintaining the luminaire.
- Remove the cover and diffuser by unscrewing the 4 x Allen screws with a No. 4 size Allen key.
- The gear tray should be detached to assist with installation by unscrewing the gear tray screws.
(2 x screws for Bulkhead 265 or 4 x screws for Bulkhead 360)
- Install the base to the wall or ceiling in the indicated mounting centres use the mounting screw set supplied to ensure IP65 is maintained.
- Fit the power cable through the supplied IP65 gland and apply silicon if required.
- Make the electrical connection at the terminal block:
 - N – Neutral
 - A – Active
 - E – Earth
- For emergency models, an additional Switched Active terminal is provided to allow the luminaire to be switched on and off in the mains mode.
- For DALI emergency models, connect the two DALI wires to the DALI terminals.
- Secure the gear tray to the base.
- Place the diffuser onto the base and secure to the base with cover and Allen screws.
- Tighten Allen screws to 0.5Nm.

Disclaimers

1. This product must be installed and used as per these instructions.
2. This product must be installed by a licenced electrician.
3. This product should not be used by children or the infirm.
4. This product must be securely attached to a suitable structural member of the installation.
5. IP rating of IP65 is completely protected against dust and generally considered suitable for fully exposed external installations, but not for high pressure hoses. Cleaning agents and solvents should not be used.
6. The IP rating of this product is only valid when all applicable seals, glands and their appropriate cables are installed correctly.
7. The IP rating of this product is only valid when installed on flat and non-porous surfaces. Additional sealing may be required for irregular surfaces.
8. Extended exposure to UV rays (such as exposure to direct sunlight) may cause discolouration of this product.
9. Severe electromagnetic interference from other products may cause malfunction of this product.
10. The fixing screws on this product should be tightened between 0.4Nm and 0.5Nm. Over-tightening may damage the product.
11. This product is not suitable for marine environments such as areas subject to salt spray and/or mist.
12. This product is not suitable for installation in hazardous and/or corrosive areas.
13. The material in this product may vary in colour from batch to batch. Colour matching from one batch to another cannot be guaranteed.
14. This product has been designed to operate in ambient temperatures 10°C to 40°C.
15. Legrand reserves the right to modify the specifications of this product at any time.
16. This product has no user serviceable part and no attempt should be made to repair this product. For repair please contact Legrand.
17. This product utilises intellectual property in the form of registered designs, trademarks, and/or patents. Such intellectual property remains the property of Legrand in all cases.

Warranty

Legrand Australia Pty Ltd warrants this product for a period of 5 year from the date of purchase.

These goods come with guarantees that cannot be excluded under the Australian and New Zealand Consumer Laws. You are entitled to a replacement or a refund for a major failure and compensation for any other reasonably foreseeable loss or damage. You are also entitled to have the goods repaired or replaced if the goods fail to be of acceptable quality and the failure does not amount to a major failure.

Customer Service

For all Customer Service and Technical Support enquires please call Monday to Friday during business hours.

Legrand Australia
1300 369 777
www.legrand.com.au

Legrand New Zealand
0800 476 009
www.legrand.co.nz

ABN: 31 000 102 661

