

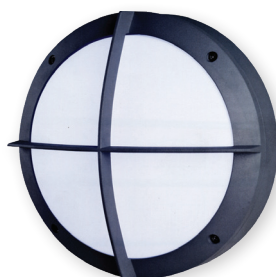
# Datasheet

## Bulkhead 360 LED Mains

CAT. NO. 664160, 664161, 664162





664160



664161



664162

Cat. No.	664160	664161	664162
Description	BULKHEAD R 360 LED 18W 4K	BULKHEAD R 360 LED 18W 4K	BULKHEAD R 360 LED 18W 4K
Design	Plain	Guard	Eyelid
Nominal Input Voltage	230 - 240 V a.c. 50 Hz		
Inrush Current	28 A peak		
Light Source Life (LSL)	50,000 hrs		
Luminaire Output (lm)	1800	1600	900
Colour Temperature	4000 K		
CRI	>80		
Circuit Power	18 W		
Luminaire Efficacy (lm/W)	100	89	50
Power Factor	>0.9		
Weight (Kg)	3.8	3.9	4.0
Ballast Type	Fixed output/Non-Dimmable		
Operating Temperature	10°C to 40°C		
IP Rating	IP65		
Body Construction	Die-cast Aluminium		
Diffuser Construction	Frosted Polycarbonate		
Geartray Construction	High reflective White powder coated mild Steel		
Compliance	AS/NZS 2293, AS/NZS 60598		
Product Marking	 		

# Bulkhead 360 LED Mains

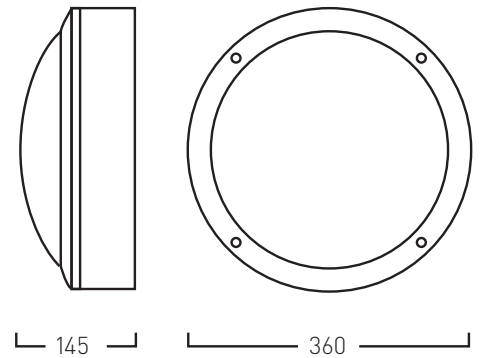
CAT. NO. 664160, 664161, 664162



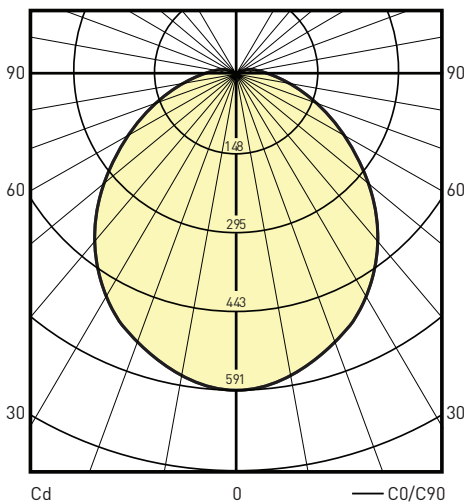
## FEATURES

- L70 @ 50,000 hours
- Large terminal block.
- Available in plain, guard or eyelid.
- 5 Year Warranty
- Designed in Australia.

## DIMENSIONS



## Polar Curve



664160 - Bulkhead R 360 Plain LED 18W 4K Mains  
ULOR: 3%  
DLOR: 97%

Note: All dimensions are in mm.

Legrand - Australia  
1300 369 777  
www.legrand.com.au  
ABN 31 000 102 661

Legrand - New Zealand  
0800 476 009  
www.legrand.co.nz

Refer to your group buying office, Legrand Sales Representative or Legrand Sales Office for pricing.

Please note: specifications are subjected to change without prior notice.



HPML0436B