

Datasheet



Large LED Exit Signs

CAT NO. 659023LI, 659024LI, 659025LI, 659026LI, 659027LI, 659028LI, 659029LI, 659030LI, 659031LI, 659032LI, 659033LI, 659034LI, 659035LI, 659036LI, 659037L, 684506, 684507, 684508, 684509

32M



659023LI

48M



659028LI

60M



659033LI

Operating Mode	Maintained
Nominal Input Voltage	230 - 240 V a.c. 50 Hz
Battery	Li-ion 6.4 V, 1.5 Ah
Power Consumption	4.5 W
Inrush current	5 A peak
Operating Temperature	10° C to 40° C
Body Construction	White powder coated Zinc Steel
Diffuser Construction	Opal cast Acrylic
IP Rating	IP20
Compliance	AS/NZS 2293, AS/NZS 60598, AS CISPR 15
Product Marking	R-NZ



Datasheet

Large LED Exit Signs

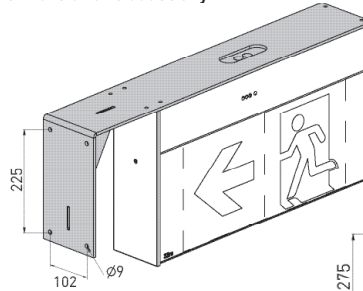


CAT NO. 659023LI, 659024LI, 659025LI, 659026LI, 659027LI, 659028LI, 659029LI, 659030LI, 659031LI, 659032LI, 659033LI, 659034LI, 659035LI, 659036LI, 659037L, 684506, 684507, 684508, 684509

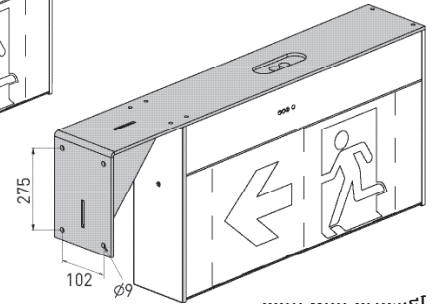
FEATURES

- Embedded Bluetooth for smart device connectivity.
- Low Power Wide Area Network type of communications utilising the LoRa platform.
- LoRa communication to maximise reliability, coverage and infiltration.
- iSmart™ temperature sensing technology for the Li-ion battery.
- Electronics designed to lengthen the life of the battery, minimising maintenance costs.
- Environment friendly battery.
- Ceiling Mounted.
- Suitable for shopping malls, exhibition halls, sports venues and industrial applications.
- Light Source Life (LSL): 50,000 hours.
- 3 large sizes for increased viewing distances: 32m, 48m or 60m.
- Two installation wall brackets available.
- 5 Year Warranty.
- Designed and Manufactured in Australia.

Wall bracket accessory

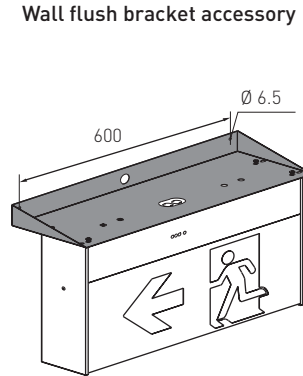


32m and 48m wall bracket
Cat no. 684508

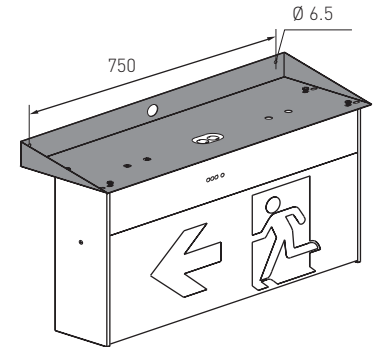


60m wall bracket
Cat no. 684506

Wall flush bracket accessory

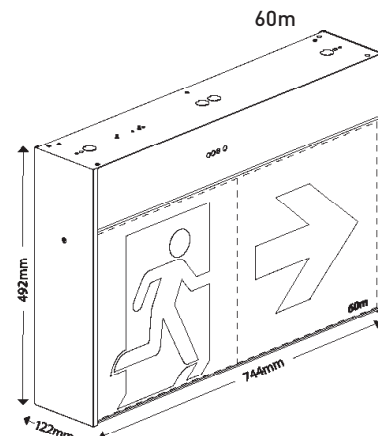
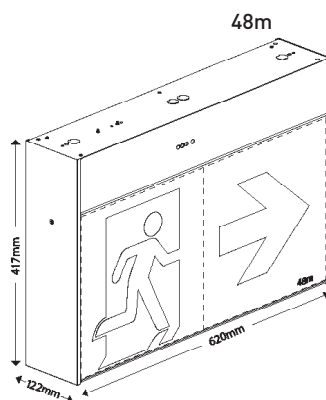
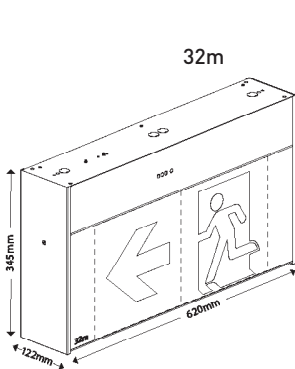


32m and 48m wall flush bracket
Cat no. 684509



60m wall flush bracket
Cat no. 684507

DIMENSIONS



Note: All dimensions are in mm.

CAT NO. **659023LI, 659024LI, 659025LI, 659026LI, 659027LI, 659028LI, 659029LI, 659030LI, 659031LI, 659032LI, 659033LI, 659034LI, 659035LI, 659036LI, 659037L, 684506, 684507, 684508, 684509**

Cat.No	Description	Weight
32m		
659023LI	Large Exit SS RM	4.8 kg
659024LI	Large Exit SS RML	4.8 kg
659025LI	Large Exit SS RMR	4.8 kg
659026LI	Large Exit DS RM	4.8 kg
659027LI	Large Exit DS RML/R	4.8 kg
48m		
659028LI	Large Exit SS RM	5.2 kg
659029LI	Large Exit SS RML	5.2 kg
659030LI	Large Exit SS RMR	5.2 kg
659031LI	Large Exit DS RM	5.2 kg
659032LI	Large Exit DS RML/R	5.2 kg
60m		
659033LI	Large Exit SS RM	6.9 kg
659034LI	Large Exit SS RML	6.9 kg
659035LI	Large Exit SS RMR	6.9 kg
659036LI	Large Exit DS RM	6.9 kg
659037LI	Large Exit DS RML/R	6.9 kg

RM = Running Man Straight, DS = Double Sided, SS = Single Sided
RML = Running Man Left, RMR = Running Man Right

Accessories	
684508	32/48 m Wall bracket
684506	60 m Wall bracket
684509	32/48 m Wall flush bracket
684507	60 m Wall flush bracket

Classification	
32m	C ₀ :D12.5, C ₉₀ :D5
48m	C ₀ :D12.5, C ₉₀ :D4
60m	C ₀ :D10, C ₉₀ :D3.2

Maximum Spacing between luminaires for 0.2 lux (Australia)					
Mounting Height (m)	2.4	2.7	3.0	3.3	5.0
D3.2	6.5	6.5	6.5	6.3	0.0*
D4	7.2	7.3	7.3	7.2	0.0*
D5	8.0	8.1	8.2	8.2	7.2
D10	10.5	10.8	11.0	11.2	11.5
D12.5	11.4	11.8	12.1	12.3	12.9

As per AS/NZS 2293:2018

Maximum Spacing between luminaires for 1.0 lux (New Zealand)					
Mounting Height (m)	2.4	2.7	3.0	3.3	5.0
D3.2	0.0*	N/A	N/A	N/A	N/A
D4	0.0*	0.0*	N/A	N/A	N/A
D5	0.0*	0.0*	0.0*	N/A	N/A
D10	5.1	5.0	4.7	0.0*	N/A
D12.5	5.8	5.7	5.6	5.3	N/A

As per AS/NZS 2293:2018

* - exit sign satisfies the requirement to illuminate the doorway or potential hazard, however without a spacing for this mounting height as per AS/NZS 2293.1:2018 clause 4.5.

N/A - exit sign without a spacing when installed at this mounting height.

Legrand Australia
1300 369 777
www.legrand.com.au
ABN 31 000 102 661

Legrand New Zealand
0800 476 009
www.legrand.co.nz

Refer to your group buying office, Legrand Sales Representative or Legrand Sales Office for pricing.

Please note: specifications are subject to change without prior notice.