

Data Sheet

Como Double Powerpoint, 10A

CAT NO. **CM777WE, CM777NWE**



CM777WE



CM777NWE

Cat No	CM777WE	CM777NWE
Description	Como double powerpoint, 10A	Como double powerpoint, with red LED, 10A
Supply voltage	230 - 240V a.c.	
Current rating	10A	
Colour	White (WE)	
Plate size	116.5 W x 116.5 H x 9 D mm	
Mounting centre	84mm	
Compliance	AS/NZS 3112, AS 1428.1	

Como Double Powerpoint, 10A

CAT NO. **CM777WE, CM777NWE**



CM777WE

CM777NWE

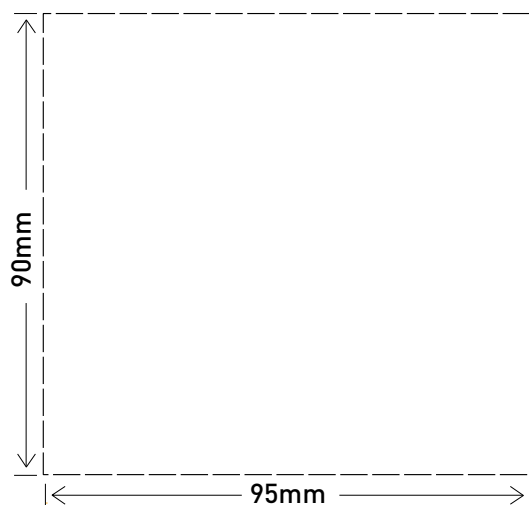
- More fixing options - 4 corners
- Red LED indicator (CM777NWE) (externally wired)
- Terminals with captive screws

Single product			
Cat No	Dimensions	Weight	Barcode
CM777WE	150 W x 230 H x 35 D mm	0.15kg	9321001435754
CM777NWE	150 W x 230 H x 35 D mm	0.18kg	9321001438427

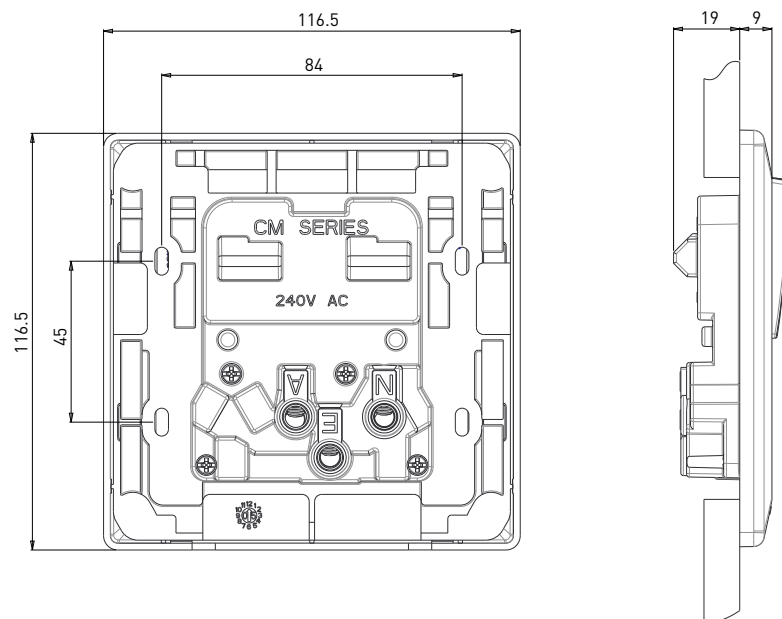
Inner box (Qty 4)			
Cat No	Dimensions	Weight	Barcode
CM777WE	163 W x 163 H x 131 D mm	0.70kg	9321001435853
CM777NWE	163 W x 163 H x 131 D mm	0.82kg	9321001439400

Outer box (Qty 48)			
Cat No	Dimensions	Weight	Barcode
CM777WE	500 W x 333 H x 262 D mm	8.97kg	9321001435952
CM777NWE	500 W x 333 H x 262 D mm	10.38kg	9321001440383

Cut out size



Dimensions



HPM Legrand - AUS
1300 369 777
www.legrand.com.au
ABN 31 000 102 661

HPM Legrand - NZ
0800 476 009
www.legrand.co.nz

Refer to your group buying office, HPM Legrand Sales Representative or HPM Legrand Sales Office for pricing.