

CONTENTS

Pages

1. Description, use	1
2. Range, equivalence table	1
3. Overall dimensions	2
4. General characteristics	2
5. Setting in situation.....	3
6. Conformity and approvals.....	4
7. Equipment and accessories	4

1. DESCRIPTION, USE

- Weatherproof PLEXO3 IP65 cabinets from 2 to 4x18 modules.
- . Impact-resistant reinforced polystyrene material
 - . Removable chassis and faceplates from two-row versions upwards
 - . Two-position rail for modular products and moulded boxes
 - . Spacing between rails: 150 mm
 - . Accommodates perforated plates and plain faceplates for mounting of non-modular products
 - . Fixing of complete Plexo programme flush-mounted on the side of the cabinet from two-row versions upwards
 - . Lockable door handle, tamper-evident cover and faceplate
 - . Door and cabinet totally reversible
 - . Direct perforation entry glands supplied

2. RANGE, EQUIVALENCE TABLE

■ **2.1 Cabinets without terminal block**

New Cat. No.	Number of rows	Number of modules	Previous Cat. No.
6 019 32	1	2 (+1)	0 017 32/02
6 019 94	1	4	0 017 34
6 019 96	1	6	0 017 36
6 019 98	1	8	0 017 38
6 018 31	1	12	0 017 41
6 018 32	2	24	0 017 42
6 018 33	3	36	0 017 43
6 018 35	1	18	-
6 018 36	2	36	0 017 45
6 018 37	3	54	0 017 46
6 018 38	4	72	-

■ **2.2 Cabinets supplied with earth terminal block**

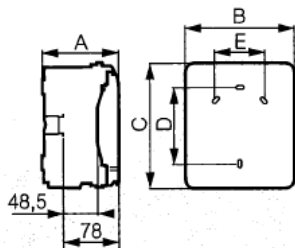
New Cat. No.	Number of rows	Number of modules	Previous Cat. No.
6 019 54	1	4	0 017 04
6 019 56	1	6	0 017 06
6 019 58	1	8	0 017 08
6 019 61	1	12	0 017 11 / 0 019 11
6 019 62	2	24	0 017 12 / 0 019 12
6 019 63	3	36	0 017 13 / 0 019 13
6 019 65	1	18	-
6 019 66	2	36	0 017 15 / 0 019 15
6 019 67	3	54	0 017 16 / 0 019 16
6 019 68	4	72	-
6 018 38	4	72	-

■ **2.3 Cabinets supplied with earth + neutral terminal block**

New Cat. No.	Number of rows	Number of modules	Previous Cat. No.
6 019 74	1	4	-
6 019 76	1	6	-
6 019 78	1	8	-
6 019 81	1	12	0 017 21
6 019 82	2	24	0 017 22
6 019 83	3	36	0 017 23
6 019 85	1	18	-
6 019 86	2	36	0 017 25
6 019 87	3	54	0 017 26
6 019 88	4	72	-

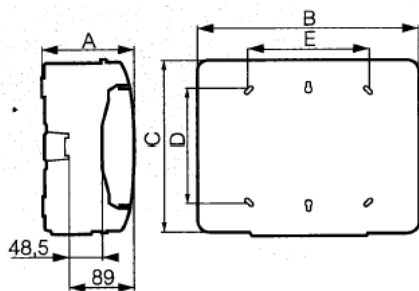
3. OVERALL DIMENSIONS

3.1 -Two- to eight-module cabinets



Cat. Nos	Dimensions (mm)				
	A	B	C	D	E
6 019 32	109	93	174	94	-
6 019 94/74/54	115.6	128	200	120	-
6 019 96/76/56	115.6	164	200	120	70
6 019 98/78/58	115.6	200	200	120	106

3.2 Twelve- to eighteen-module cabinets



Cat. Nos	Dimensions (mm)				
	A	B	C	D	E
6 018 31 6 019 81/61	141	340	282	180	180
6 018 32 6 019 82/62	161	340	432	330	180
6 018 33 6 019 83/63	161	340	622	480	180
6 018 35 6 019 85/65	141	448	282	180	290
6 018 36 6 019 86/66	161	448	432	330	290
6 018 37 6 019 87/67	161	448	622	480	290
6 018 38 6 019 88/68	161	448	822	680	290

4. GENERAL CHARACTERISTICS

4.1 Technical characteristics

- . Box colour : light grey L750A
- . Cover colour : dark grey RAL 7046
- . Shutter colour : transparent blue
- . Protection rating : IP65 – IK09
- . Self-extinguishing : 650°C
- . Dual class II insulation
- . Rated operating voltage : 400 V AC – 50/60 Hz
- . Rated insulation voltage : 400 V AC – 50/60 Hz
- . Short-circuit current: 10 kA
- . Storage and installation temperature:
Two to eight-module cabinets : -15°C to +55°C (+70°C/24 H)

- . Twelve to eighteen-module cabinets : -25°C to +55°C (+70°C/24 H)
- . Operating temperature : -25°C to 40°C
- . Max. permitted current :

6 019 32/94/96/74/76/54/56:	32 A
6 019 38/98/78/58:	40 A
6 018 31/35, 6019 81/85/61/65:	63 A
6 018 32/33/36, 6019 82/83/86/62/63/66:	90 A
6 018 37/38, 6019 87/88/67/68:	125 A
- . Permissible loads : 40N per row

4.2 Materials

- . Box, cover, rail brackets, terminal brackets, hinge cover and faceplate : impact reinforced polystyrene
- . Door : transparent polycarbonate
- . Handle and door identifier indicator light : polycarbonate
- . Handle bar : glassfibre-reinforced polycarbonate
- . Entry glands : polypropylene + SEBS
- . Cover/box screws and springs : stainless steel
- . Other screws : zinc-coated steel
- . Rails : galvanised steel

4.3 Number of knockouts

The cabinet has the same number of knockouts on the top and the bottom.

4.3.1 Cabinets without terminals

	Number of knockouts on each			Number of entry glands supplied		
	Ø20 mm	Ø25 mm	Ø32 mm	Ø20 mm	Ø25 mm	Ø32 mm
6 019 32	2	-	-	2	-	-
6 019 94	2	1	-	-	-	-
6 019 96	4	1	-	-	-	-
6 019 98	6	1	-	-	-	-
6 018 31	7	2	2	-	-	-
6 018 32	13	2	2	-	-	-
6 018 33	13	2	2	-	-	-
6 018 35	12	2	3	-	-	-
6 018 36	13	4	3	-	-	-

4.3.2 Cabinets supplied with earth + neutral and earth terminal block

Réf.	Borniers IP 2X à connexion automatique			Obturbateurs
	Bornes auto	Bornes à vis		
	1,5 - 4 mm ²	6 - 25 mm ²	6 - 35 mm ²	5 modules
0 019 02	-	-	-	-
0 019 04	6	1	-	-
0 019 06	6	1	-	-
0 019 08	6	1	-	-
0 019 21	9	5	-	1
0 019 22	18	5	-	2
0 019 23	27	5	-	2
0 019 24	18	5	-	1
0 019 25	27	5	-	2
0 019 26	36	5	-	3
0 019 27	45	5	5	3

4. GENERAL CHARACTERISTICS (suite)

■ **4.4 Terminal capacity and number of blanks**

4.4.1 Cabinets without terminal block

Cat. No.	IP 2X Terminal blocks			Plugs
	Screw terminals Earth		Screw terminals Neutral	
	1.5 - 16 mm ²	6 - 25 mm ²	1.5 - 16 mm ²	5 modules
6 019 32	-	-	-	-
6 019 94	-	-	-	-
6 019 96	-	-	-	-
6 019 98	-	-	-	-
6 018 31	-	-	-	-
6 018 32	-	-	-	-
6 018 33	-	-	-	-
6 018 35	-	-	-	-
6 018 36	-	-	-	-
6 018 37	-	-	-	-
6 018 38	-	-	-	-

4.4.2 Cabinets supplied with earth terminal block

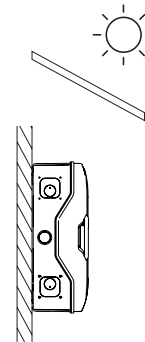
Cat. No.	IP 2X Terminal blocks			Plugs
	Screw terminals Earth		Screw terminals Neutral	
	1.5 - 16 mm ²	6 - 25 mm ²	1.5 - 16 mm ²	5 modules
6 019 54	4	-	-	-
6 019 56	4	-	-	-
6 019 58	8	-	-	-
6 019 61	12	1	-	1
6 019 62	16	1	-	2
6 019 63	21	1	-	2
6 019 65	16	1	-	1
6 019 66	21	1	-	2
6 019 67	26	1	-	3
6 019 68	34	1	-	3

4.4.3 Cabinets supplied with earth + neutral terminal block

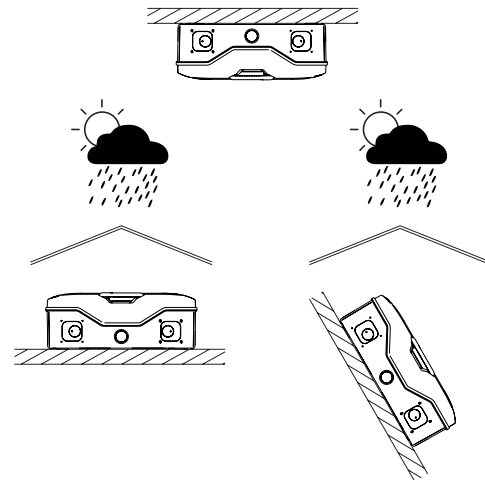
Cat. No.	IP 2X Terminal blocks				Plugs
	Screw terminals Earth		Screw terminals Neutral		
	1.5 - 16 mm ²	6 - 25 mm ²	1.5 - 16 mm ²	6 - 25 mm ²	5 modules
6 019 74	4	-	4	-	-
6 019 76	4	-	4	-	-
6 019 78	8	-	8	-	-
6 019 81	12	1	12	1	1
6 019 82	16	1	16	1	2
6 019 83	21	1	21	1	2
6 019 85	16	1	16	1	1
6 019 86	21	1	21	1	2
6 019 87	26	1	26	1	3
6 019 88	34	1	34	1	3

5. SETTING IN SITUATION

■ **5.1 Vertical positioning**



■ **5.2 Horizontal / sloping positioning**

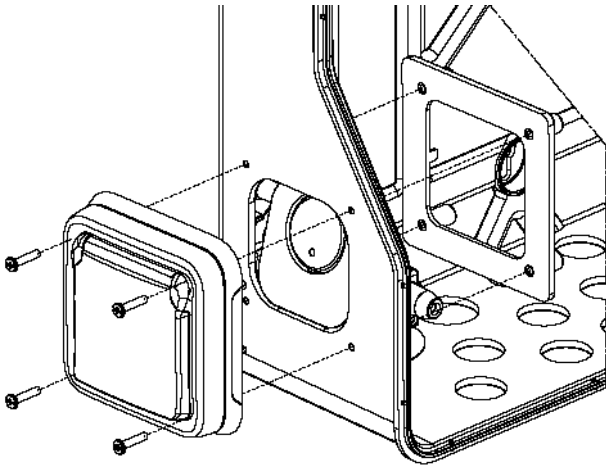


6. CONFORMITY AND APPROVALS

IEC 60 439-3
IEC 60 695-2-11
IEC 62 262
IEC 62 208
RoHS
WEEE
REACH

7. EQUIPMENT AND ACCESSORIES

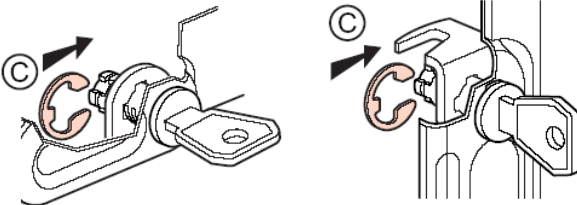
- **7.1 Plate for fixing flush-mounted Plexo wiring devices Cat. No. 0 019 71 from two-row cabinet versions upwards**



- **7.2 Key lock Cat. No. 0 019 66**
Key lock no. 850

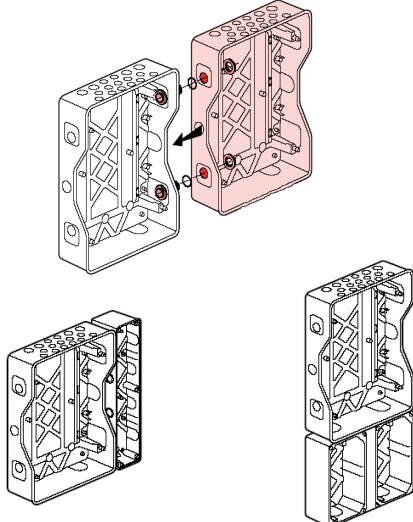
2- to 8-module cabinets

12- to 18-module cabinets



- **7.3 Joining kit Cat. No. 0 019 67**

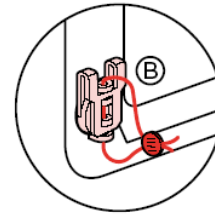
Used to run cables between two cabinets or horizontal or vertical multifunction sleeves, while maintaining IP65 protection



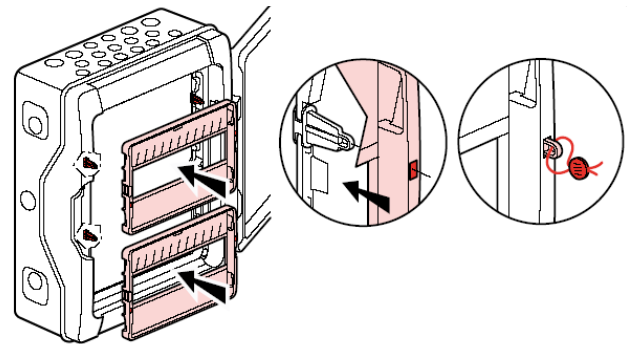
- **7.4 Sealing kit Cat. No. 0 019 68**

Set of two sealable terminal shields for covers and eight sealable brackets for faceplates.

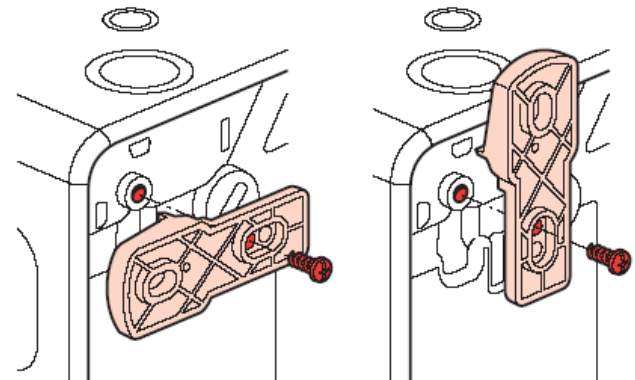
7.4.1 Sealable terminal shields for covers



7.4.2 Sealable brackets for faceplates



7.5 Set of four wall mounting lugs Cat. No. 0 019 69



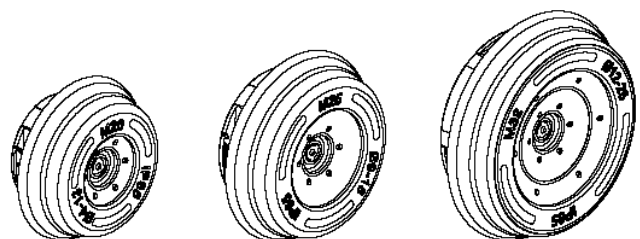
Two modules: vertical only.

7.6 Blanking plates Cat. No. 0 019 61

Set of five, separable into modules or half-modules, dark grey RAL 7046.

7.7 Direct perforation entry glands Cat. No. 0 019 55

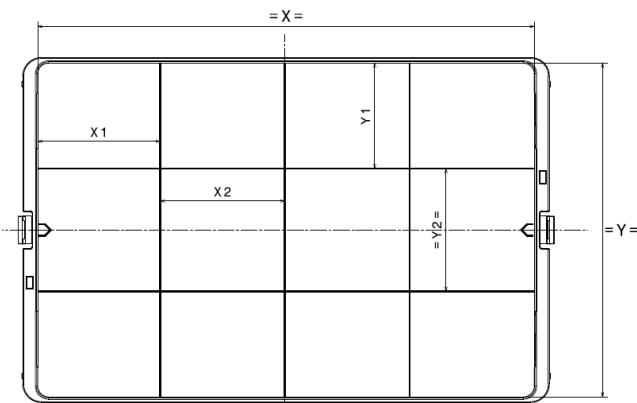
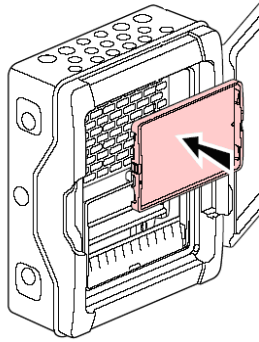
Pack comprising 2 ISO Ø32 mm entry glands, 5 ISO Ø25 mm entry glands and 10 ISO Ø20 mm entry glands. These entry glands maintain the cabinet's IP65 and IK09 ratings.



7. EQUIPMENT AND ACCESSORIES (suite)

7.8 Plain faceplates

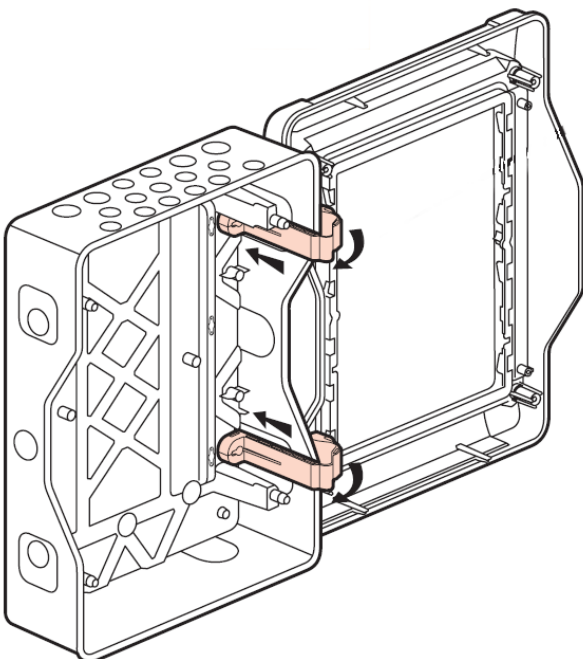
for 12-module cabinets Cat. No. 0 019 64
for 18-module cabinets Cat. No. 0 019 65



Cat. No.	X	X1	X2	Y	Y1	Y2
0 019 64	215	53	54	145	45	53
0 019 65	324	53	54	145	45	53

7.9 Hinges Cat. No. 0 019 70

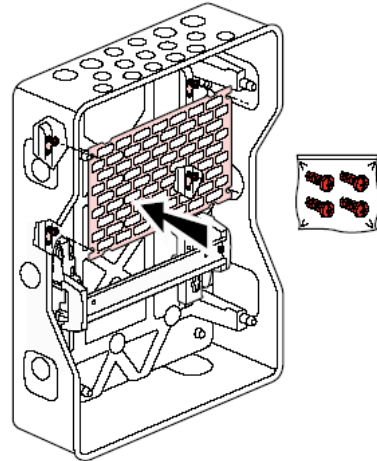
Set of 2 hinges connecting the back of the cabinet to the cover.



7.10 Perforated plates supplied with four fixing screws

Used to replace the DIN rail with a LINA 25 plate to incorporate non-modular products.

For 12-module cabinet, height 150 mm, Cat. No. 0 019 62
For 18-module cabinet, height 150 mm, Cat. No. 4 018 53



7.11 Terminal block support

Cat. No. 0 019 72 for 12-18 module cabinet

Cat. No. 0 019 73 for 24-72 module cabinet

