



## RCA input

5739 26 (White)  
5739 27 (Magnesium)

### Description

The device allows the interfacing and adaptation of the signal level of an external stereo audio source. It is connected with the audio signal by means of two RCA female connectors (red = right channel; white = left channel) on the front of the device. There is also a knob to adjust the input signal sensitivity and two LED to indicate the device state (ON/STANDBY) and the correct adjustment.

#### Connections

- directly from the RCA input if the source is powered by battery (e.g. iPod)
- through the source insulator, 5793 88, if the source is powered by the electric power line (230 Vac, 127 Vac, 110 Vac).

### Technical data

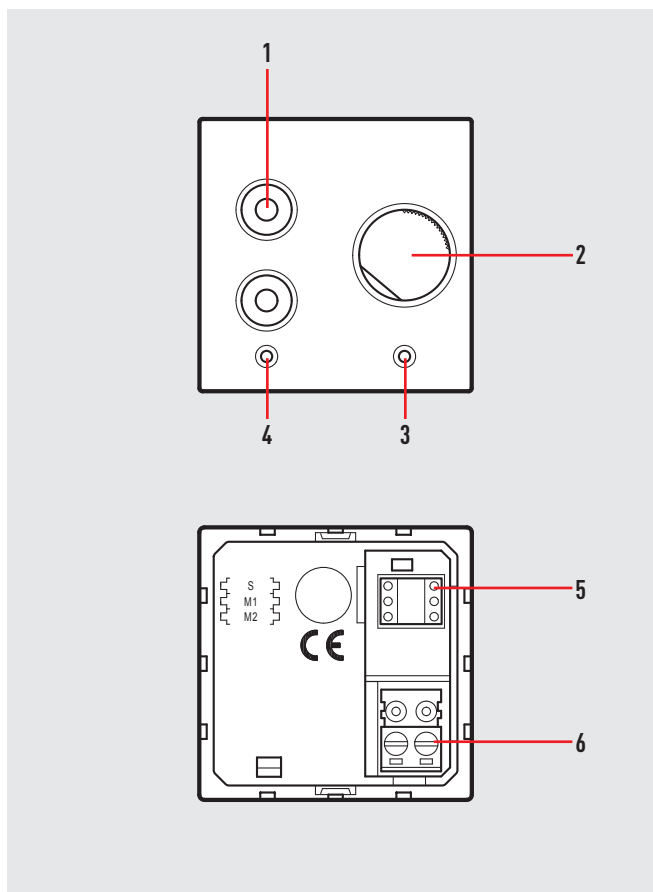
Power supply from SCS BUS:	18 – 27 Vdc
Maximum absorption:	30 mA
Absorption in stand-by:	12 mA
RCA input impedance:	14 k $\Omega$
Input sensitivity:	100 mVrms – 1 Vrms
TYP channel balancing:	$\pm$ 0.5 dB
MIN channel balancing:	$\pm$ 1.5 dB
Frequency range @ -3dB:	20 Hz @ 20 kHz
Operating temperature:	5 – 45 °C

### Dimensional data

Size: 2 flush-mounting modules  
Depth: 20.7 mm

### Configuration

S: 1–4 local address of the source



### Legend

1. RCA female connectors for stereo audio input
2. Adjustment knob for the audio output to the BUS
3. LED for audio adjustment on the BUS:
  - off: no audio signal
  - green: signal with minimum level
  - flashing orange: best adjustment
  - steady orange: signal too high
4. State indication LED:
  - green: standby
  - orange: device ON
5. Configurator housing
6. Plug-in terminal for connection to the BUS