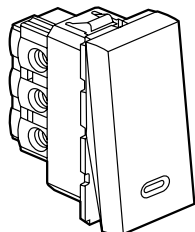
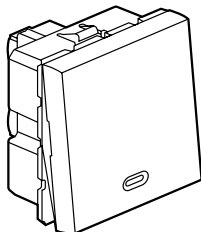


# Arteor™ Single pole switches with indicator

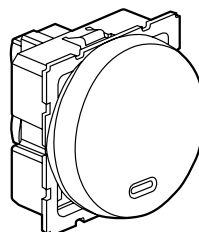
Cat. No(s): 572 011/042/511/542  
573 026/027/028/071/126/127/128/171



572 011/511



572 042/542



573 071/171

## 1. USE

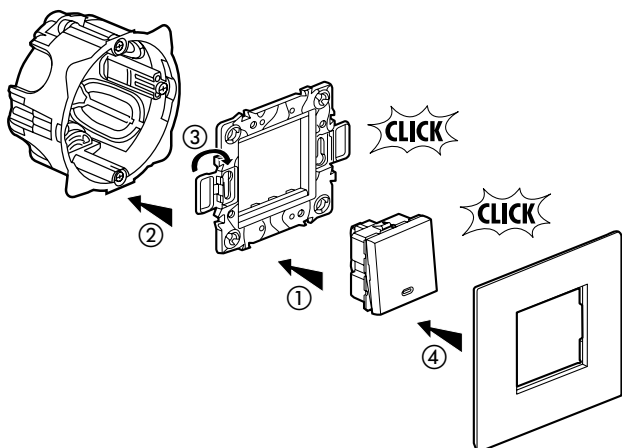
General lighting control mechanisms with signalling elements (indicator light).

## 2. RANGE

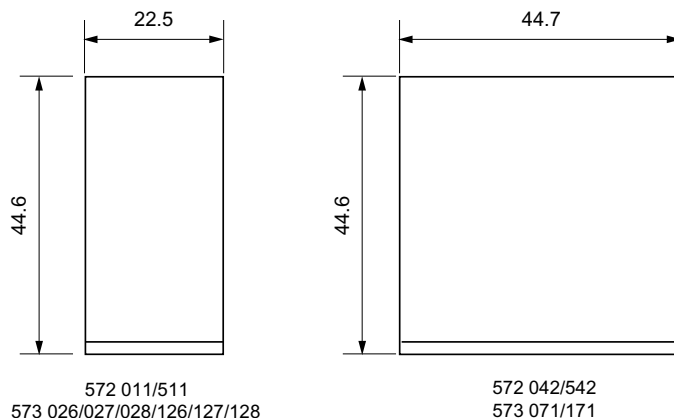
	Designation	Finishes		No. of modules	Connection method	Weight (g)	Characteristics
		White	Magnesium				
	Single pole switch two way with indicator (square)	572 011	572 511	1	with screws	24	20 AX - 250 VAC
	Single pole switch two way with indicator (round left)	573 026	573 126	1	with screws	23	20 AX - 250 VAC
	Single pole switch two way with indicator (round middle)	573 027	573 127	1	with screws	23.5	20 AX - 250 VAC
	Single pole switch two way with indicator (round right)	573 028	573 128	1	with screws	23	20 AX - 250 VAC
	Single pole switch two way with indicator (square)	572 042	572 542	2	with screws	32.2	20 AX - 250 VAC
	Single pole switch two way with indicator (round)	573 071	573 171	2	with screws	30.8	20 AX - 250 VAC

## 3. PREPARATION

The mechanisms can be flush-mounted or surface-mounted



## 4. OVERALL DIMENSIONS

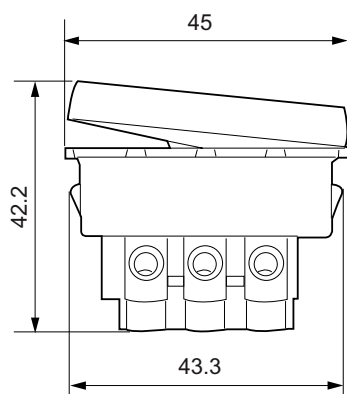


# Arteor™

## Single pole switches with indicator

Cat. No(s): 572 011/042/511/542  
573 026/027/028/071/126/127/128/171

### 4. OVERALL DIMENSIONS (continued)



### 5. CONNECTION

Terminals: with screws  
Capacity: 4 x 2.5 mm<sup>2</sup> or 2 x 4 mm<sup>2</sup> or 1 x 6 mm<sup>2</sup>  
Stripping: 10 mm  
Screwdriver: 4 mm flat-blade up to 5.5 mm

### 6. OPERATION

Switching mechanism.

### 7. TECHNICAL CHARACTERISTICS

#### 7.1 Mechanical characteristics

Impact tests: IK 04  
Protection by solid bodies / liquids: IP 40 (mounted)  
IP 20 (alone)

#### 7.2 Material characteristics

Rocker: Polycarbonate  
Base: Polycarbonate  
Basket: Polypropylene

#### 7.3 Electrical characteristics

Voltage: 250 VAC  
Current: 20 AX  
Self-extinguishing: 650° C / 30 s.

#### 7.4 Climatic characteristics

Storage temperature: - 10° C to + 70° C  
Operating temperatures: - 5° C to + 50° C

### 8. CLEANING

Surface cleaning with a cloth  
Do not use: acetone, tar remover, trichloroethylene

Resistance to the following cleaning agents: Hexane (EN-60669-1), Methylated spirits, Soapy water, diluted ammonia, diluted pure bleach 10%, Glass cleaning substance, Pre-impregnated wipes.

**Caution:** A preliminary test should be carried out if other specific cleaning products are to be used.

### 9. CONFORMITY - APPROVALS

Approvals in process:

	IECEE	SABS	SASO	PAI
572 011 - 572 511	x	x	x	
572 042 - 572 542	x	x	x	x
573 026 - 573 126	x	x	x	
573 027 - 573 127	x	x	x	
573 028 - 573 128	x	x	x	
573 071 - 573 171	x	x	x	x